

MASSACHUSETTS INSTITUTE OF TECHNOLOGY

~~CONFIDENTIAL~~  
SINGLE COPY ONLY

DOWNLOADED AT 5 YEAR INTERVALS:  
DECLASSIFIED AFTER 12 YEARS  
DOD DIR 5200.10

CLASSIFICATION CHANGE

To UNCLASSIFIED

By authority of SP-10-11682  
Changed by A. Shirley Date 12/13/72  
Classified Document Master Control Station, NASA  
Scientific and Technical Information Facility

# APOLLO

## GUIDANCE AND NAVIGATION

Approved: Milton B. Trageser Date: 2/6/64  
MILTON B. TRAGESER, DIRECTOR  
APOLLO GUIDANCE AND NAVIGATION PROGRAM

Approved: Roger B. Woodbury Date: 2/12/64  
ROGER B. WOODBURY, DEPUTY DIRECTOR  
INSTRUMENTATION LABORATORY

E-1142 (REV. 17)  
(UNCLASSIFIED TITLE)

SYSTEM STATUS REPORT

February 15, 1964



# INSTRUMENTATION LABORATORY

CAMBRIDGE 39, MASSACHUSETTS

COPY # 13 OF 155 COPIES  
THIS DOCUMENT CONTAINS 40 PAGES

~~CONFIDENTIAL~~

## ACKNOWLEDGMENT

This report was prepared under DSR Project 55-191, sponsored by the Manned Spacecraft Center of the National Aeronautics and Space Administration through Contract NAS 9-153.

~~This document contains information affecting the national defense of the United States within the meaning of the Espionage Laws, Title 18, U.S.C., Sections 793 and 794, the transmission or the revelation of which in any manner to an unauthorized person is prohibited by law.~~

The publication of this report does not constitute approval by the National Aeronautics and Space Administration of the findings or the conclusions contained therein. It is published only for the exchange and stimulation of ideas.

LIST OF EFFECTIVE PAGES

Page Numbers

Title Page through vi

1-1

2-1 through 2-10

3-1 through 3-6

4-1 through 4-4

5-1 through 5-8

A-1 through A-2

Distribution List

## CONTENTS

| Section    |                                       | Page |
|------------|---------------------------------------|------|
| 1          | INTRODUCTION                          | 1-1  |
| 1-1        | INTRODUCTION                          | 1-1  |
| 1-2        | ACCURACY                              | 1-1  |
| 2          | BLOCK I COMMAND MODULE DATA           | 2-1  |
| 2-1        | WEIGHTS                               | 2-1  |
| 2-1.1      | WEIGHTS STATUS REPORTING              | 2-1  |
| 2-1.2      | SPEC. WEIGHT                          | 2-1  |
| 2-1.3      | DESIGN LOAD WEIGHT                    | 2-1  |
| 2-2        | REPORTED WEIGHT CHANGES               | 2-4  |
| 2-2.1      | NVB & SHOCK MOUNTS                    | 2-4  |
| 2-2.2      | D&C/AGC (LEB AND MAIN PANEL)          | 2-4  |
| 2-3        | CENTERS OF GRAVITY                    | 2-4  |
| 2-4        | MOMENTS OF INERTIA                    | 2-4  |
| 2-5        | COMMAND MODULE POWER REQUIREMENTS     | 2-4  |
| 3          | BLOCK II COMMAND MODULE DATA          | 3-1  |
| 3-1        | RELIABILITY                           | 3-1  |
| 3-2        | WEIGHTS                               | 3-1  |
| 3-3        | REPORTED WEIGHT CHANGES               | 3-1  |
| 3-3.1      | D&C/AGC (LEB AND MAIN PANEL)          | 3-1  |
| 3-3.2      | PSA COVER                             | 3-1  |
| 3-3.3      | SXT AND HORIZON PHOTOMETER            | 3-1  |
| 3-4        | STATUS OF COMMAND MODULE AGC PROGRAMS | 3-4  |
| 3-5        | POWER REQUIREMENTS                    | 3-5  |
| 4          | LUNAR EXCURSION MODULE DATA           | 4-1  |
| 4-1        | POWER REQUIREMENTS                    | 4-1  |
| 4-2        | RELIABILITY                           | 4-2  |
| 4-3        | WEIGHTS FOR LEM                       | 4-2  |
| 4-4        | REPORTED WEIGHTS CHANGES              | 4-2  |
| 4-4.1      | PSA                                   | 4-2  |
| 4-4.2      | PSA COVER                             | 4-4  |
| 4-4.3      | AGC COVER                             | 4-4  |
| 5          | GLOSSARY AND SYSTEM DEFINITION        | 5-1  |
| Appendix A |                                       | A-1  |

## ILLUSTRATIONS

| Figure |   | Page |
|--------|---|------|
| 2-1    | Electrical load on primary +28 VDC power supply | 2-8  |
| 3-1    | Electrical load on primary +28 VDC power supply | 3-6  |

## TABLES

| Table |  | Page |
|-------|--|------|
| 2-I   | Current Weight Status of Block I Command Module (lbs at 1 g)           | 2-2  |
| 2-II  | Block I Command Module Center of Gravity and Moments of Inertia        | 2-6  |
| 2-III | Nominal Power Dissipation (watts) vs G&N Activity                      | 2-9  |
| 2-IV  | Block I Command Module Power Profile for 14-Day Lunar Orbit Mission    | 2-10 |
| 3-I   | Reliability (as of 2/15/64)  | 3-1  |
| 3-II  | Current Weight Status of Block II Command Module (lbs)                 | 3-2  |
| 3-III | Current Memory Estimates and the Status of Command Module AGC Programs | 3-4  |
| 4-I   | LEM Power Requirements (Updated 2/15/64)                               | 4-1  |
| 4-II  | Reliability (as of 2/15/64)  | 4-2  |
| 4-III | Estimated Weights of LEM G&N Components (lbs at 1 g)                   | 4-3  |
| A-1   | LEM PSA Weight and Volume  | A-1  |

## ABSTRACT

The System Status Report is distributed monthly on the 15th. This month's revision (E-1142, Rev. 17) contains, in general, the following information for the Block I and II Command Module and LEM equipment configurations: weights, centers of gravity, moments of inertia, power requirements, status of computer programs, and reliability figures.

## Section 1

### INTRODUCTION

#### 1-1 INTRODUCTION

The definition of what constitutes Block I and Block II Command Module and LEM hardware is contained in the Glossary, section 5 of this report.

The following information is included in this month's report:

- (1) Command Module, Block I - weights, centers of gravity, moments of inertia, and power requirements.
- (2) Command Module, Block II - weights, power requirements, status of computer programs, and reliability figures.
- (3) LEM - weights, power requirements, and reliability figures.

Weights in this report for both the Block I and Block II Command Module are based upon current Block I design releases. The Lunar Excursion Module weights are based on the best estimate of those expected for the LEM design release which will occur early this year.

#### 1-2 ACCURACY

The accuracy of numerical values reported in this revision should not be considered to be within the tolerances implied by the significant figures quoted. The reported values, although based upon the most current information, are subject to normal changes as design and development phases approach completion.

BLOCK I  
**COMMAND MODULE**

Section 2

BLOCK I COMMAND MODULE DATA

2-1 WEIGHTS

Table 2-I presents the weights of all Block I equipment, grouped according to specific location within the Command Module. Weights are reported to the component level and to the nearest tenth of a pound.

Given component weights are identified as estimated, calculated, and measured in the order of increasing accuracy. These terms are defined by North American Aviation as follows.

Estimated weights (E) are based on rough calculations. Calculated weights (C) are based on detailed calculations made from final production drawings that will be used to build flyable equipment. Measured weights (M) are the actual weights of equipment built to the production drawings.

Since most weight values now reported can be classified as only estimated weights, MIT herein affixes a prime to the (E) symbol, i. e., (E'), to denote values which MIT, for various reasons, feels to be more accurate than estimated values, yet which cannot be defined as either calculated or measured weights.

North American Aviation will provide and be responsible for coldplate weights which are not integral with guidance and navigation equipment.

2-1.1 WEIGHTS STATUS REPORTING. Table 2-I also offers a comparison of present component weight values with those listed in System Status Report, E-1142 (Rev. 16), January 15, 1964. All weight changes are explained in paragraph 2-2.

2-1.2 SPEC. WEIGHT. The "Spec. Weight" column in table 2-I contains "proposed MSC weights," that is, goals set forth by MSC in a memo to MIT dated December 5, 1962.

2-1.3 DESIGN LOAD WEIGHT. The "Design Load Weight" column contains worst-estimate design weights assigned to G&N subassemblies attached to the spacecraft structure. These values are included in this report as the result of an S&ID request, at NASA Coordination Meeting No. 8, that one total weight figure for supported G&N load be assigned for structural design use. MIT herein assigns a total G&N design load weight, in table 2-I, which does not include items termed "loose stored items."



## COMMAND MODULE

Table 2-1. Current Weight Status of Block I Command Module (lbs at 1 g)

| Item                       | Spec. Wt.<br>12/62<br>(a) | (b-a)  | Status<br>1/64<br>(b) | (c-b) | Status<br>2/64<br>(c) | Design<br>Load Wt.<br>2/64<br>(d) |
|----------------------------|---------------------------|--------|-----------------------|-------|-----------------------|-----------------------------------|
| <u>LOWER EQUIPMENT BAY</u> |                           |        |                       |       |                       |                                   |
| CDU & Frame Assy           | 6.0                       | + 8.5  | 14.5(M)               | 0.0   | 14.5(M)               | 17.2                              |
| Optical Subsystem          |                           |        |                       |       |                       |                                   |
| SXT                        | 12.0                      | + 2.6  | 14.6(C)               | 0.0   | 14.6(C)               | 154.2                             |
| SCT                        | 9.0                       | + 4.8  | 13.8(C)               | 0.0   | 13.8(C)               |                                   |
| Optical Base & Gearing     | 14.0                      | + 2.7  | 16.7(E)               | 0.0   | 16.7(E)               |                                   |
| Optical Eyepieces          |                           |        |                       |       |                       |                                   |
| SXT                        | 2.0                       | + 1.6  | 1.3(E)                | 0.0   | 1.3(E)                |                                   |
| SCT                        |                           |        |                       |       |                       |                                   |
| IMU                        | 40.0                      | + 20.2 | 60.2(M)               | 0.0   | 60.2(M)               |                                   |
| NVB & Shock Mounts         | 16.0                      | + 11.2 | 27.2(E)               | -2.2  | 25.0(E)               |                                   |
| Bellows Assy               | 8.0                       | + 5.5  | 13.5(M)               | 0.0   | 13.5(M)               |                                   |
| G&N Interconnection Assy   |                           |        |                       |       |                       |                                   |
| G&N to S/C Interface Assy  | 30.0                      | + 13.2 | 35.2(E)               | 0.0   | 35.2(E)               |                                   |
| D&C Nav Station            |                           |        |                       |       |                       |                                   |
| IMU Control Panel          |                           |        |                       |       |                       |                                   |
| D&C Electronics            |                           |        |                       |       |                       |                                   |
| Control Electronics        | 30.3                      | - 7.4  | 2.9(M)                | 0.0   | 2.9(M)                | 6.8                               |
| Optical Shroud             |                           |        |                       |       |                       |                                   |
| G&N Ind Cont Panel         |                           |        |                       |       |                       |                                   |
| D&C/AGC                    | 15.0                      | + 4.6  | 19.6(C)               | +1.0  | 20.6(M)               | 13.2                              |
| MDV (including 1 film)     | 5.0                       | + 2.7  | 7.7(C)                | 0.0   | 7.7(C)                | 19.4                              |
| AGC (no spares)            | 80.0                      | - 10.0 | 70.0(E)               | 0.0   | 70.0(E)               | 10.0                              |
| PSA                        | 25.0                      | + 34.4 | 59.4(C)               | 0.0   | 59.4(C)               | 126.4                             |
| Coolant Hoses              | 0.0                       | + 1.0  | 1.0(E)                | 0.0   | 1.0(E)                | 65.0                              |

(cont)

[REDACTED]

## BLOCK I COMMAND MODULE

Table 2-1. Current Weight Status of Block I Command Module (lbs at 1 g) (cont)

| Item                                   | Spec. Wt.<br>12/62<br>(a) | (b-a)         | Status<br>1/64<br>(b)         | (c-b)       | Status<br>2/64<br>(c) | Design<br>Load Wt.<br>2/64<br>(d)                |
|--|---------------------------|---------------|-------------------------------|-------------|-----------------------|--|
| <u>MAIN PANEL AREA</u>                 |                           |               |                               |             |                       |  |
| D&C/AGC                                | 5.0                       | + 14.5        | 19.5(C)                       | +1.0        | 20.5(M)               | 17.2   |
| D&C/NAV                                | 8.0                       | - 8.0         | --                            | --          | --                    | --   |
| <u>LOOSE STORED ITEMS</u>              |                           |               |                               |             |                       |  |
| Eye Relief Eyepieces                   | --                        | + 1.5         | 1.5(E)                        | 0.0         | 1.5(E)                |  |
| Film Cartridges (4)                    | --                        | + 2.4         | 2.4(E)                        | 0.0         | 2.4(E)                |  |
| Horizon Photometer                     | --                        | + 3.6         | 3.6(E)                        | 0.0         | 3.6(E)                |  |
| <b>TOTAL</b>                           | <b>305.3</b>              | <b>+109.6</b> | <b>414.9</b>                  | <b>-0.2</b> | <b>414.7</b>          | <b>*484.1</b>                                    |
| List of Possible Spares for<br>Block I |                           |               |                               |             |                       | *Does not<br>include<br>loose<br>stored<br>items |
| AGC Spare Logic Tray                   | 20.0                      | + 58.8        | 25.0(E)<br>34.6(E)<br>16.7(E) | 0.0         | 25.0(E)               |  |
| AGC Spare Memory Tray                  |                           |               |                               | 0.0         | 34.6(E)               |  |
| PSA Spare (Unique) Modules             |                           |               |                               | 0.0         | 16.7(E)               |  |
| CDU Spare                              |                           | + 0.3         | 2.5(E)                        | 0.0         | 2.5(E)                |  |
| Spare Relay & Diode Module             | --                        |               | 0.3(E)                        | 0.0         | 0.3(E)                |  |

# BLOCK I

## COMMAND MODULE

The breakdown of this total weight into the individual items of column "d" is typical only.

### 2-2 REPORTED WEIGHT CHANGES

The Block I weight status summarized in table 2-I separates the weight of possible spares from the main body of the table. This was done in recognition of the Development Test Plan activities now under way at S&ID which are defining Block I G&N usage. Since any spacecraft flights involving Block I G&N hardware will be unmanned or of only limited duration, the need for carried spares is doubtful. (Block II G&N will carry no spares in any event.) Because Block I was originally designed to use spares for in-flight repair, the weight of possible spares is listed separately for information in table 2-I.

Other changes since last month's report, E-1142 (Rev. 16), January 15, 1964, shown in table 2-I are explained below.

2-2.1 NVB & SHOCK MOUNTS. The 2.2-pound weight decrease is due to (1) a change from a steel to an aluminum shock mount housing and (2) use of a solid instead of a brazed NVB structure.

2-2.2 D&C/AGC (LEB AND MAIN PANEL) The weight increases are due to the weighing of AGE 4B D&C/AGC's. The urethane foam potting, estimated at 0.5 lbs, was not weighed but is included in the total D&C/AGC weight value.

### 2-3 CENTERS OF GRAVITY

Table 2-II presents the centers of gravity of each weight component or packaged assembly, determined with respect to the basic X, Y, Z, axes of the Command Module. Center of gravity values are given to the nearest tenth of an inch.

### 2-4 MOMENTS OF INERTIA

Table 2-II also presents the moments of the inertia of each weight component or packaged assembly, determined about each of the component axes which (1) run through the center of gravity of the component and (2) are parallel to the basic X, Y, and Z axes of the Command Module.

### 2-5 COMMAND MODULE POWER REQUIREMENTS

The power requirements of the Command Module G&N equipment on the primary +28 VDC power supply are shown in figure 2-1, which presents the magnitude and location of dissipated power values on a subassembly level. This chart assumes a

BLOCK I  
**COMMAND MODULE**

14-day lunar orbit mission as defined by S&ID for power profile computation (Ref: S&ID letter 63 MA 7332).

Table 2-III shows the magnitude and location of power dissipation for the established G&N activities, each of which consists of various power levels of operation.

Table 2-IV shows the energy requirements for each G&N activity on a power level basis. The table is based upon MIT letter AG 679-6, "G&N power Profile Status," dated August 14, 1963. The vertical column to the left indicates the various G&N activities (phases of operation) for the model 14-day mission submitted by S&ID in S&ID letter 63 MA 7332. This column also indicates the power consumption and operating time for each specific activity. The top row indicates the various power levels along with the power consumption and operating time of each power level.

~~CONFIDENTIAL~~  
BLOCK I  
COMMAND MODULE

Table 2-II. Block I Command Module Center of Gravity and Moments of Inertia

| Item                       | Weight (lbs) | Centers of Gravity (inches) |        |      | Moments of Inertia (lb-in <sup>2</sup> ) |      |      |
|----------------------------|--------------|-----------------------------|--------|------|--|------|------|
|                            |              | X                           | Y      | Z    | Ixx                                      | Iyy  | Izz  |
| <u>LOWER EQUIPMENT BAY</u> |              |                             |        |      |  |      |      |
| CDU & Frame Assy           | 14.5         | 63.5                        | - 14.4 | 35.8 | 45                                       | 410  | 410  |
| Optical Subsystem          |              |                             |        |      |  |      |      |
| SXT                        | 14.6         | 70.5                        | - 3.5  | 34.7 |  |      |      |
| SCT                        | 13.8         | 70.5                        | 5.5    | 34.7 |  |      |      |
| Opt. Base & Gearing        | 16.7         | 67.9                        | 0.0    | 30.7 |  |      |      |
| Optical Eyepieces          |              |                             |        |      |  |      |      |
| SXT                        | 1.3          | 65.1                        | - 3.5  | 26.2 | 5  | 10   | 5    |
| SCT                        | 2.3          | 65.1                        | 4.5    | 26.2 | 10                                       | 10   | 10   |
| IMU                        | 60.2         | 56.6                        | 0.0    | 41.7 | 1186                                     | 1450 | 1438 |
| NVB & Shock Mounts         | 25.0*        | 64.3                        | - 0.1  | 41.3 | 3270                                     | 4050 | 5210 |
| Bellows Assy               | 13.5         |                             |        |      |  |      |      |
| G&N Interconnection Assy   | 35.2         |                             |        |      |  |      |      |
| G&N to S/C Signal Assy     | 8.0          |                             |        |      |  |      |      |
| D&C/NAV Station            |              |                             |        |      |  |      |      |
| IMU Cont Panel             | 2.4          | 74.0                        | - 15.4 | 30.9 | 15                                       | 22   | 24   |
| D&C Electronics            | 2.9          | 49.5                        | - 9.6  | 39.6 | 20                                       | 22   | 9    |
| Control Electronics Assy   | 2.9          | 63.1                        | 10.7   | 34.9 | 9  | 15   | 8    |
| Optical Shroud             | 5.2          | 66.8                        | 0.0    | 28.9 | 387                                      | 108  | 413  |
| G&N Ind. Control Panel     | 9.5          | 54.1                        | 0.1    | 33.9 | 460                                      | 120  | 580  |
| D&C/AGC                    | 20.6*        |                             |        |      |  |      |      |
| MDV (Includes 1 film)      | 7.7          | 73.5                        | - 4.5  | 31.0 |  |      |      |
| AGC (no spares)            | 70.0         | 37.8                        | 1.3    | 46.1 | 4980                                     | 3990 | 1710 |
| Spare Tray (logic)         | 25.0         | 38.2                        | - 7.7  | 45.3 | 1290                                     | 1360 | 140  |

(cont)

~~CONFIDENTIAL~~

BLOCK I  
COMMAND MODULE

Table 2-II. Block I Command Module Center of Gravity and Moments of Inertia (cont.)

| Item   | Weight (lbs) | Centers of Gravity (inches) |       |      | Moments of Inertia (lb-in) |      |      |
|--|--------------|-----------------------------|-------|------|----------------------------|------|------|
|  |              | X                           | Y     | Z    | Ixx                        | Iyy  | Izz  |
| PSA  | 59.4         | 45.0                        | - 1.1 | 41.5 | 3940                       | 1460 | 2620 |
| Coolant Hoses  | 1.0          |                             |       |      |                            |      |      |
| <u>MAIN PANEL AREA</u>   |              |                             |       |      |                            |      |      |
| D&C/AGC  | 20.5*        |                             |       |      |                            |      |      |
| <u>LOOSE STORED ITEMS</u>  |              |                             |       |      |                            |      |      |
| Eye Relief Eyepieces (2)   | 1.5          |                             |       |      |                            |      |      |
| Film Cartridges (4)  | 2.4          |                             |       |      |                            |      |      |
| AGC Spare Mem. Tray  | 34.6         |                             |       |      |                            |      |      |
| CDU Spare Gearbox  | 2.5          |                             |       |      |                            |      |      |
| Spare Relay & Diode Mod.   | 0.3          |                             |       |      |                            |      |      |
| Horizon Photometer   | 3.6          |                             |       |      |                            |      |      |
| PSA Loose Spares   | 16.7         |                             |       |      |                            |      |      |
| *These values represent changes since the last report, E-1142 (Rev. 16), dated January 15, 1964. |              |                             |       |      |                            |      |      |

~~CONFIDENTIAL~~

# BLOCK I COMMAND MODULE

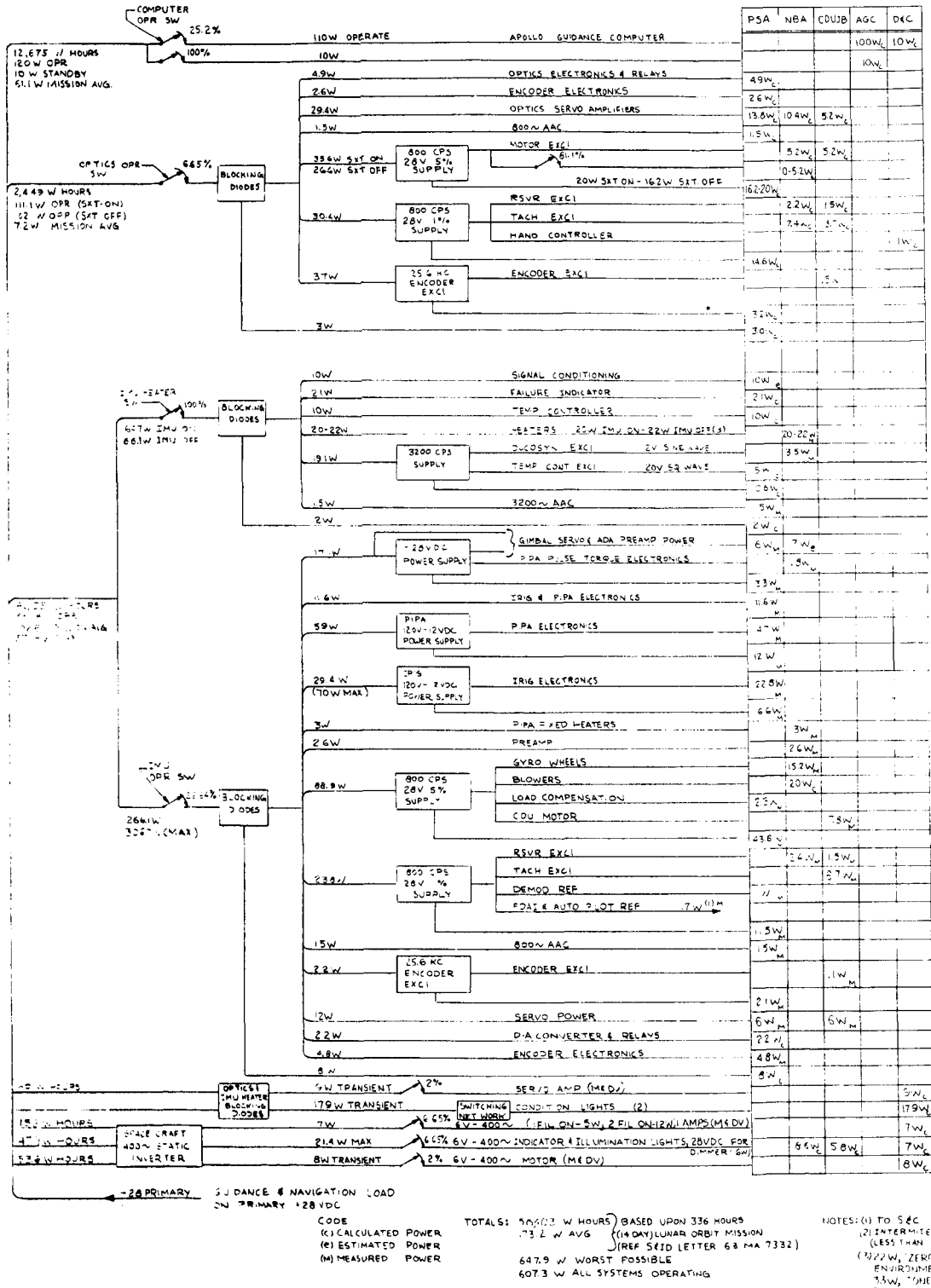


Figure 2-1. Electrical load on primary + 28 VDC power supply

BLOCK I  
**COMMAND MODULE**

Table 2-III. Nominal Power Dissipation (watts) vs G&N Activity

| M<br>O<br>D<br>E | G&N Activity<br>(power levels)       | NBA  |      | CDUJB | PSA   |      | AGC | Thermal<br>Load On<br>S/C Coolant | D&C<br>and<br>S&C | Electrical<br>Load |
|------------------|--------------------------------------|------|------|-------|-------|------|-----|-----------------------------------|-------------------|--------------------|
|                  |                                      | IMU  | OBA  |       | IMU   | OBA  |     |                                   |                   |                    |
| A                | IMU & AGC Operate<br>(1, 4)          | 74.5 | 0    | 22.1  | 233.5 | 0    | 110 | 440.1                             | 10.7              | 450.8              |
| B                | IMU Alignment<br>(1, 2, 4, 6)        | 74.5 | 39   | 44    | 233.5 | 63.6 | 110 | 564.6                             | 42.7              | 607.3              |
| C                | Low-Orbit Navigation<br>(1, 3, 4, 6) | 74.5 | 33.8 | 44    | 233.5 | 59.8 | 110 | 555.6                             | 42.7              | 598.3              |
| D                | Standby & Computing<br>(1, 5)        | 25.5 | 0    | 0     | 41.2  | 0    | 110 | 176.7                             | 10                | 186.7              |
| E                | Midcourse Navigation<br>(1, 2, 5, 6) | 25.5 | 39   | 21.9  | 41.2  | 63.6 | 110 | 301.2                             | 42                | 343.2              |
| F                | IMU & AGC Standby<br>(5, 7)          | 25.5 | 0    | 0     | 41.2  | 0    | 10  | 76.7                              | 0                 | 76.7               |
| G                | IMU Operate & AGC<br>Standby (4, 7)  | 74.5 | 0    | 22.1  | 233.5 | 0    | 10  | 340.1                             | 0.7               | 340.8              |

1. AGC 120 watts
2. Optics, SXT on 111.1 watts
3. Optics, SXT off 102.1 watts
4. IMU Operate 330.8 watts
5. IMU Standby 66.7 watts
6. Display and Control 45.4 watts
7. AGC Standby 10 watts



BLOCK I

COMMAND MODULE

Table 2-IV. Block I Command Module Power Profile for 14-Day Lunar Orbit Mission

| M<br>O<br>D<br>E | G&N Activity                                       | Energy Consumption (kwh)                  |   |   |   |   |   |   | Total  |
|------------------|--|---|---|---|---|---|---|---|--------|
|                  |  | (1) AGC Operate<br>120 watts<br>84.67 hrs | (2) Optics SXT on<br>111.1 watts<br>18.53 hrs | (3) Optics SXT off<br>102.1 watts<br>3.83 hrs | (4) IMU Operate<br>330.8 watts<br>76.09 hrs | (5) IMU Standby<br>66.7 watts<br>260.32 hrs | (6) Display & Controls<br>45.4 watts<br>22.36 hrs | (7) AGC Standby<br>10.0 watts<br>251.74 hrs |        |
| A                | IMU & AGC Operate<br>450.8 watts, 56.71 hrs        | 6.805                                     | --  | --  | 18.759                                      | --  | --  | --  | 25.564 |
| B                | IMU Alignment<br>607.3 watts, 8.20 hrs             | 0.984                                     | 0.911   | --  | 2.712                                       | --  | 0.372   | --  | 4.979  |
| C                | Low-Orbit Navigation<br>598.3 watts, 3.83 hrs      | 0.459                                     | --  | 0.391   | 1.266                                       | --  | 0.173   | --  | 2.289  |
| D                | Standby & Computing<br>186.7 watts, 5.60 hrs       | 0.672                                     | --  | --  | --  | 0.373                                       | --  | --  | 1.045  |
| E                | Midcourse Navigation<br>343.2 watts, 10.33 hrs     | 1.239                                     | 1.147   | --  | --  | 0.689                                       | 0.468   | --  | 3.543  |
| F                | IMU & AGC Standby<br>76.7 watts, 244.39 hrs        | --  | --  | --  | --  | 16.300                                      | --  | 2.443                                       | 18.743 |
| G                | IMU Operate & AGC Standby<br>340.8 watts, 7.35 hrs | --  | --  | --  | 2.431                                       | --  | --  | 0.073                                       | 2.504  |
|                  | TOTAL  | 10.159                                    | 2.058   | 0.391   | 25.168                                      | 17.362                                      | 1.013   | 2.516                                       | 58.667 |

BLOCK II  
COMMAND MODULE

Section 3

BLOCK II COMMAND MODULE DATA

3-1 RELIABILITY

The following numbers do not assume the use of inflight spares or repair. The estimated Command Module G&N reliability is based on the 138-hour mission as defined in the Lunar Landing Mission Design Plan.

Table 3-I. Reliability (as of 2/15/64)

| Subsystem        | Operating Time (hrs)<br>Full Power | Probability of<br>Mission Success |
|------------------|------------------------------------|-----------------------------------|
| IMU              | 31                                 | 0.99575                           |
| AGC (2)          | 19*                                | 0.999913                          |
| DSKY             | 19                                 | 0.999954                          |
| PSA              | 31*                                | 0.994                             |
| CDU (5)          | 31                                 | 0.9942                            |
| Optics           | 18                                 | 0.9985                            |
| Total G&N System |                                    | 0.9824                            |

\*Certain assemblies function continuously.

3-2 WEIGHTS

Table 3-II presents the weights of all Block II equipment. Refer to section 2-1 for a general explanation of weight reporting.

3-3 REPORTED WEIGHT CHANGES

Weight changes shown in column (c - b) of table 3-II are explained below.

3-3.1 D&C/AGC (LEB AND MAIN PANEL). The weight increases are a reflection of Block I weight changes (see 2-2.2).

3-3.2 PSA COVER. This is a new item which is required to protect the Malco connectors against moisture.

3-3.3 SXT AND HORIZON PHOTOMETER. The horizon photometer is incorporated into the SXT in Block II and will henceforth be included in the weight of the SXT.

COMMAND MODULE

Table 3-II. Current Weight Status of Block II Command Module (lbs)

| ITEM                       | Spec. Wt.<br>12/62<br>(a) | (b-a)  | Status<br>1/64<br>(b) | (c-b) | Status<br>2/64<br>(c) | Design<br>Load Wt.<br>2/64<br>(d) |
|----------------------------|---------------------------|--------|-----------------------|-------|-----------------------|-----------------------------------|
| <u>LOWER EQUIPMENT BAY</u> |                           |        |                       |       |                       |                                   |
| CDU & Frame Assy           | 6.0                       | + 9.0  | 15.0(E)               | 0.0   | 15.0(E)               | 17.2                              |
| Optical Subsystem          |                           |        |                       |       |                       |                                   |
| SXT                        | 12.0                      | + 2.6  | 14.6(C)               | + 3.6 | 18.2(C)               | 154.2                             |
| SCT                        | 9.0                       | + 4.8  | 13.8(C)               | 0.0   | 13.8(C)               |                                   |
| Optical Base & Gearing     | 14.0                      | + 2.7  | 16.7(E)               | 0.0   | 16.7(E)               |                                   |
| Optical Eyepieces          |                           |        |                       |       |                       |                                   |
| SXT                        | 2.0                       | + 1.6  | 1.3(E)                | 0.0   | 1.3(E)                | 154.2                             |
| SCT                        | 40.0                      | + 2.0  | 2.3(E)                | 0.0   | 2.3(E)                |                                   |
| IMU                        | 16.0                      | + 6.0  | 22.0(E)               | 0.0   | 22.0(E)               |                                   |
| NVB & Shock Mounts         | 8.0                       | + 5.5  | 13.5(M)               | 0.0   | 13.5(M)               | 42.8                              |
| Bellows Assy               | 30.0                      | + 13.2 | 35.2(E)               | 0.0   | 35.2(E)               |                                   |
| G&N Interconnection Assy   |                           |        |                       |       |                       |                                   |
| G&N to S/C Interface Assy  |                           |        |                       |       |                       |                                   |
| D&C Nav Station            |                           |        |                       |       |                       |                                   |
| D&C Electronics            |                           |        |                       |       |                       |                                   |
| Control Electronics        | 30.3                      | - 9.6  | 1.5(E)                | 0.0   | 1.5(E)                | 7.7                               |
| Optical Shroud             |                           |        | 2.9(E)                | 0.0   | 2.9(E)                |                                   |
| G&N Ind Cont Panel         |                           |        |                       |       |                       |                                   |
| D&C/AGC                    | 15.0                      | + 4.6  | 5.2(M)                | 0.0   | 5.2(M)                | 4.2                               |
| M&DV (including 1 film)    | 5.0                       | + 3.3  | 11.1(E)               | 0.0   | 11.1(E)               |                                   |
| AGC (2 complete computers) |                           |        |                       |       |                       |                                   |
| AGC Covers (2)             | 80.0                      | + 12.5 | 19.6(E)               | + 1.0 | 20.6(E)               | 126.4                             |
|                            |                           |        | 8.3(E)                | 0.0   | 8.3(E)                |                                   |
| PSA                        |                           |        |                       |       |                       |                                   |
| PSA Cover                  | 25.0                      | + 16.6 | 84.0(E)               | 0.0   | 84.0(E)               | 65.0                              |
| Coolant Hoses              | 0.0                       | + 1.0  | 8.5(E)                | 0.0   | 8.5(E)                |                                   |

(cont)

~~CONFIDENTIAL~~

BLOCK II

COMMAND MODULE

Table 3-II. Current Weight Status of Block II Command Module (lbs) (cont)

| Item                      | Spec. Wt.<br>12/62<br>(a) | (b-a)  | Status<br>1/64<br>(b) | (c-b) | Status<br>2/64<br>(c) | Design<br>Load Wt.<br>2/64<br>(d)  |
|---------------------------|---------------------------|--------|-----------------------|-------|-----------------------|------------------------------------|
| <u>MAIN PANEL AREA</u>    |                           |        |                       |       |                       |                                    |
| D&C/AGC                   | 5.0                       | + 14.5 | 19.5(E)               | + 1.0 | 20.5(E)               | 17.2                               |
| D&C/NAV                   | 8.0                       | - 8.0  | --                    | --    | --                    | --                                 |
| <u>LOOSE STORED ITEMS</u> |                           |        |                       |       |                       |                                    |
| Eye Relief Eyepieces      | --                        | + 1.5  | 1.5(E)                | 0.0   | 1.5(E)                |                                    |
| Film Cartridges (3)       | --                        | + 1.8  | 1.8(E)                | 0.0   | 1.8(E)                |                                    |
| Horizon Photometer        | --                        | + 3.6  | 3.6(E)                | - 3.6 | 0.0                   |                                    |
| TOTAL                     | 305.3                     | + 89.2 | 394.5                 | + 5.5 | 400.0                 | *477.3                             |
|                           |                           |        |                       |       |                       | *Minus<br>loose<br>stored<br>items |

BLOCK II  
**COMMAND MODULE**

3-4 STATUS OF COMMAND MODULE AGC PROGRAMS

Table 3-III lists current Command Module memory estimates and the status of AGC programs. The status of LEM AGC programs is not reported at this time.

A high and low word estimate is given with each program. Each status is defined as follows:

- (1) Planning stage
- (2) Programming stage
- (3) Checkout on AGC simulation
- (4) Checkout on G&N simulation
- (5) Checkout on AGC

Table 3-III. Current Memory Estimates and the Status  
of Command Module AGC Programs

| Program  | Status | Memory Estimate<br>(words) |              |
|--|--------|----------------------------|--------------|
|  |        | High                       | Low          |
| List Processing Interpreter                          | (5)    | 1600                       | 1600         |
| AGC Executive  | (5)    | 250                        | 250          |
| AGC Waitlister                                       | (5)    | 150                        | 150          |
| AGC System Exerciser, Checkout,<br>and Error Handler | (3)    | 1000                       | 750          |
| G&N System Exerciser & Checkout                      | (2)    | 1000                       | 750          |
| Display, Keyboard, and Telemetry                     | (5)    | 1500                       | 1500         |
| Input/Output Control                                 | (4)    | 850                        | 350          |
| Midcourse and Orbital Navigation                     | (4)    | 2000                       | 1500         |
| Midcourse and Orbital Guidance                       | (3)*   | 500                        | 500          |
| Prelaunch Platform Alignment                         | (5)    | 400                        | 400          |
| In-Flight Platform Alignment                         | (2)    | 980                        | 900          |
| Re-entry Control                                     | (2)    | 1290                       | 1024         |
| Injection and De-Boost                               | (3)*   | 1000                       | 400          |
| <b>Totals</b>  |        | <b>12520</b>               | <b>10074</b> |

\*These items have changed since the last report, E-1142 (Rev. 16), dated January 15, 1964.

BLOCK II  
**COMMAND MODULE**

**3-5 POWER REQUIREMENTS**

The power requirements of the Block II Command Module G&N equipment on the primary +28 VDC power supply are shown in figure 3-1, which presents the magnitude and location of dissipated power values on a subassembly level. This chart assumes a 14-day lunar orbit mission as defined by S&ID for power profile computation (Ref: S&ID letter 63 MA 7332).

Major changes to Block II power requirements, as compared to Block I requirements, are due to the use of two computers and electronic CDU's in the Block II system.

# BLOCK II COMMAND MODULE

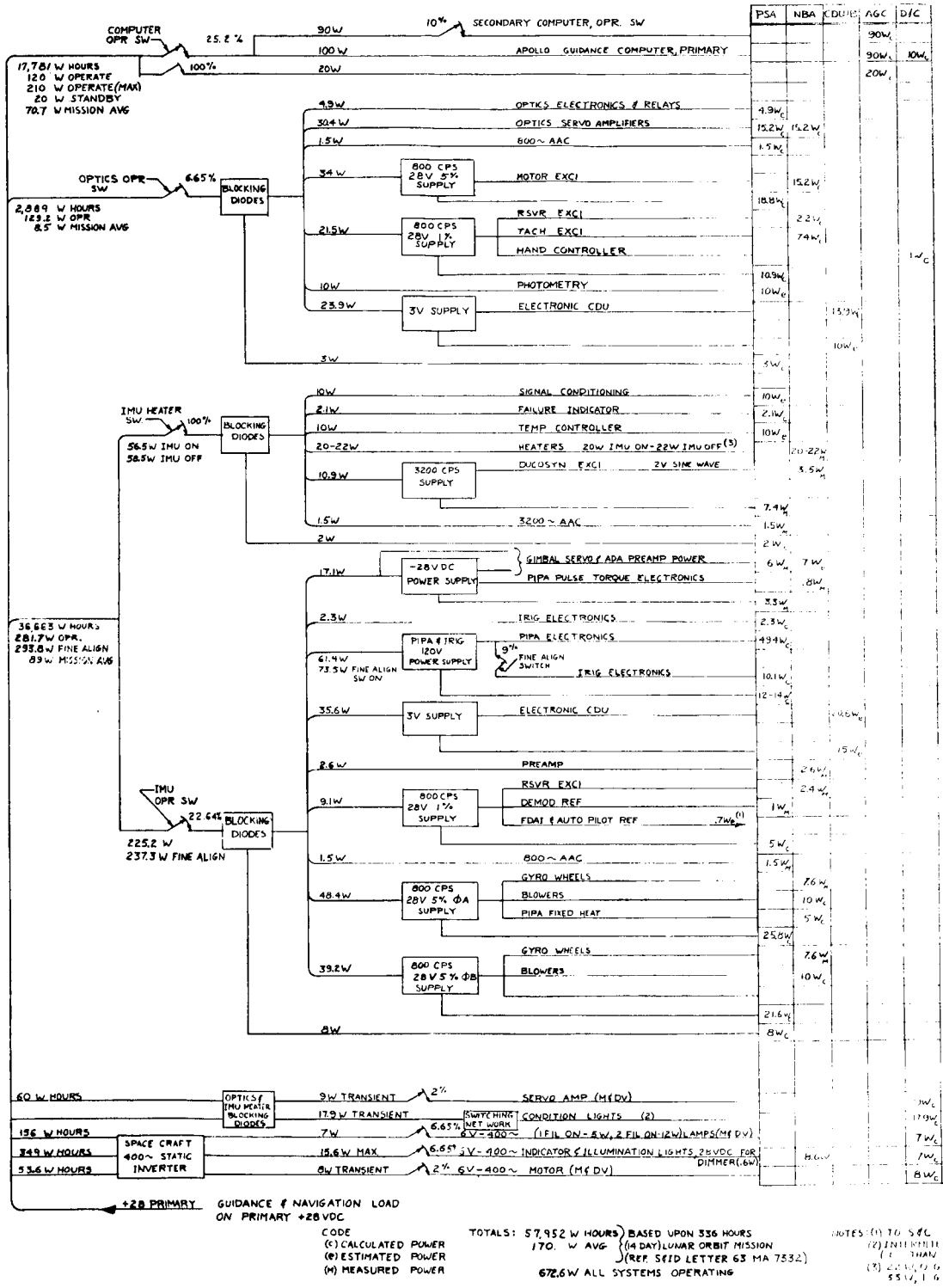


Figure 3-1. Electrical load on primary +28 VDC power supply

# LUNAR EXCURSION MODULE

## Section 4

### LUNAR EXCURSION MODULE DATA

#### 4-1 POWER REQUIREMENTS

The estimate for LEM power and energy consumption is updated this month based upon recent command module G&N Block II data and a submission by GAEC of preliminary ICD LIS-390-2 which contains new changes in the LEM Electrical Load Analysis Form.

The values shown in Table 4-I are center value estimates and do not include any safety factor for bad estimating. Transient power peaks, occurring at higher power levels during turn-on and slewing operations, are considered to consume negligible energy. When they become available, data on these peaks will be included.

Table 4-I. LEM Power Requirements (Updated 2/15/64)

|                      | Power<br>(watts) | Time*<br>(hrs) | Energy<br>(kwh) |
|----------------------|------------------|----------------|-----------------|
| IMU Standby          | 58.5             | 123            | 7.2             |
| IMU Operate          | 281.7            | 12             | 3.4             |
| AGC Standby          | 10.0             | 36             | 0.4             |
| AGC Operate          | 95.0             | 12             | 1.1             |
| Radar CDU            | 24.0             | 12             | 0.3             |
| Optics               | negligible       |                |                 |
| Display & Controls   | 12.2             | 3.0            | 0.04            |
| Radar (not included) | --               | --             | --              |
| Totals               | 413 (peak)       | —              | 12.4            |

\*Based upon preliminary ICD LIS-390-2 Electrical Load Analysis Form.

Separate power turn-on switches are assumed for "IMU operate," "computer standby," "computer operate," and "radar CDU." The LEM G&N uses only the spacecraft +28 VDC power supply except for operation of condition lights. The condition lights operate from the spacecraft 400-cps power supply.



# LUNAR EXCURSION MODULE

## 4-2 RELIABILITY

The numbers in Table 4-II do not assume the use of inflight spares or repair. LEM reliability calculations were based on the guidance and navigation mission profile as directed by MSC for reliability planning.

Table 4-II. Reliability (as of 2/15/64)

| Subsystem        | Operating Time (hrs) | Probability of Mission Success |
|------------------|----------------------|--------------------------------|
| IMU              | 7                    | 0.999                          |
| AGC              | 7                    | 0.99769                        |
| PSA              | 7                    | 0.99896                        |
| CDU (5)          | 7                    | 0.998965                       |
| OMU              | 1                    | 0.999957                       |
| Total G&N System |                      | 0.9946                         |

## 4-3 WEIGHTS FOR LEM

Lunar Excursion Module weights are presented in table 4-III. In general the data conform to the information contained in paragraphs 2-1 and 2-1.1.

Column (a), Target Weight, was taken from GAEC LMD 490-39, Enclosure 1, submitted to MIT at a weights review meeting on September 10, 1963. GAEC reported that G&N weights associated with D&C will be reported by them as part of the total spacecraft D&C. Therefore, target weights were not given by GAEC to supply the five items denoted by asterisks in column (a).

The row labeled Bare Guidance System is inserted to provide for comparisons with similarly specified systems.

## 4-4 REPORTED WEIGHTS CHANGES

Weight changes shown in column (c - b) of table 4-III are explained below.

4-4.1 PSA. The PSA weight decrease is due to a preliminary layout recently completed on a header/cold plate installation. The toe cap (0.5 lb.) is no longer required, but the plane area of the header increased from 50% to 60% of the Block II Command Module header. See Appendix A for a modular weight list of the LEM PSA.

## LUNAR EXCURSION MODULE

Table 4-III. Estimated Weights of LEM G&N Components (lbs at 1g)

| Item   | Target Wt.<br>8/63<br>(a)               | (b-a) | Status<br>1/64<br>(b) | (c-b) | Status<br>2/64<br>(c) | Design<br>Load Wt.<br>(d) |
|--|---|-------|-----------------------|-------|-----------------------|---------------------------|
| CDU's  | *                                       |       | 15.0 (E)              | 0.0   | 15.0 (E)              | **                        |
| Telescope and All Eyepieces  | 12                                      |       | 24.5 (E)              | 0.0   | 24.5 (E)              |                           |
| Navigation Base  | 4                                       |       | --                    |       | --                    |                           |
| Eye Register for Reticule  | *                                       |       | 2.0 (E)               | 0.0   | 2.0 (E)               |                           |
| Two-Digit Readout for Reticule   | *                                       |       | 5.0 (E)               | 0.0   | 5.0 (E)               |                           |
| IMU  | 58                                      |       | 42.0 (E)              | 0.0   | 42.0 (E)              |                           |
| AGC/PSA Interconnection Assy   | 15                                      |       | 10.0 (E)              | 0.0   | 10.0 (E)              |                           |
| AGC Display and Controls   | *                                       |       | 19.5 (E)              | 0.0   | 19.5 (E)              |                           |
| Other Display and Controls   | *                                       |       | 15.0 (E)              | 0.0   | 15.0 (E)              |                           |
| Book of Procedures, etc.   | 2                                       |       | 2.0 (E)               | 0.0   | 2.0 (E)               |                           |
| AGC  | 60                                      |       | 41.5 (E)              | 0.0   | 41.5 (E)              |                           |
| AGC Cover  | *                                       |       | --                    | + 4.3 | 4.3 (E)               |                           |
| PSA  | 35                                      |       | 27.0 (E)              | - 2.2 | 24.8 (E)              |                           |
| PSA Cover  | *                                       |       | --                    | + 2.4 | 2.4 (E)               |                           |
| Cold Plate   | 5                                       |       | --                    | --    | --                    |                           |
| <b>TOTAL</b>   | 191<br>Plus *<br>Items not<br>yet given |       | 203.5                 | + 4.5 | 208.0                 |                           |
| Bare Guidance System (IMU, PSA, and computer):<br>** No design load weight has been assigned |   |       | 110.5                 | - 2.2 | 108.3                 |                           |

## LUNAR EXCURSION MODULE

4-4.2 PSA COVER. This is a protective cover added to protect PSA module connections from moisture during flight.

4-4.3 AGC COVER. This is a protective cover added to seal the Malco connections against moisture.

## Section 5

### GLOSSARY AND SYSTEM DEFINITION

#### Apollo Guidance Computer (AGC)

CM BLOCK I A single complete flight computer containing all logic, memory, associated power supplies, and all interface circuits except those identified with the CDU's. Does not contain the associated displays and controls.

Consists of two trays containing replaceable electronic modules, the AGC end connector, and toe plate. Does not include the necessary cold plate or the G&N to CM interface assembly which is located in the adjacent area. Space exists for carrying an extra spare pair of AGC trays. These would not function in this spares location but could interchange with faulty trays in the active position. The spare trays are not included in this accounting.

CM BLOCK II Two complete and active computers each having the same functions as the Block I AGC.

Consists of two wiring matrix headers mounted on each side of the cold plate. This cold plate is not included in this accounting and must be moved up from the Block I configuration location. The modules of the "X" computer mount on one of these headers, the "Y" computer on the other.

Block I and Block II AGC's are not interchangeable.

LEM A single complete flight computer having the same functions as one of the Block II computers. Unless installation constraints yet to be determined prevent it, the LEM computer will be physically identical with one of the Block II computers.

#### AGC Covers

CM BLOCK I Not required.

CM BLOCK II Two covers, one for each computer, may be required if it becomes necessary to seal the Malco connectors against moisture.

LEM Same as Block II except that there is only one cover.

#### AGC Spares

CM BLOCK I Spare AGC modules or trays as indicated.

CM BLOCK II No spares for AGC in Block II.

LEM No spares for AGC in LEM.

#### Alignment Optical Telescope (AOT)

CM BLOCK I AND BLOCK II Not in CM, see Optical Subsystem.

LEM A 3-position periscope with single-degree-of-freedom manually read reticule for alignment of the IMU.

#### Bellows Assembly

CM BLOCK I and CM BLOCK II Flexible pressure seal between CM structure and optical subsystem on NAV BASE for penetration of pressure hull with optics.

LEM Not identified separately in LEM. Is included in LEM as part of the AOT.

#### Book of Procedures

CM Not in CM; see MDV.

LEM Book or other form of maps, charts, procedures, instructions, etc., needed for lunar operations.

#### CDU and Frame Assembly

The CDU provides the necessary signal interfaces among the IMU gimbal angles, optics gimbal angles, radar gimbal angles, angle registers in the AGC, the spacecraft autopilot attitude error signals, and the tracking radar command error signals.

CM BLOCK I Five interchangeable gear boxes each with necessary motor, tach, resolver synchros, and encoder with mounting framework. Does not include associated electronics which are located in the PSA.

CM BLOCK II Functionally identical to Block I except the instrumentation is all electronic. Includes all support electronics including special power supply and is located in same volume as Block I CDU's.

Changes in resolver synchro characteristics and mode controls make Block I and II CDU's noninterchangeable.

LEM Interchangeable with CM Block II CDU's.

#### Cold Plate

CM BLOCK I and BLOCK II Cold plates for the IMU are built into the IMU. Necessary cold plates for electronics are part of the equipment supplied by the spacecraft manufacturer.

#### Control Electronics Assembly

CM BLOCK I Consists of one power transformer, one relay and diode module, and a bracket end connector. Used to support display and control functions.

CM BLOCK II May be relocated with other similar functions.

LEM Not defined in LEM.

#### Coolant Hoses

CM BLOCK I and CM BLOCK II Consists of (1) three aluminum flex coolant hoses between IMU and spacecraft, optics and spacecraft, and optics and IMU, (2) bracket assembly screws and clamp, and (3) entrapped coolant.

LEM Not identified as part of LEM.

#### Display and Control/Apollo Guidance Computer (D&C/AGC)

CM BLOCK I and BLOCK II Number displays and keyboard control associated with the operation of the AGC. Two functionally identical and parallel operation units: one in lower equipment bay and one on main panel between left and center couches.

LEM Identical to CM except only a single unit is required.

#### D&C Electronics Assembly

CM BLOCK I Consists of a chassis, a relay and diode module, a Demod. Elect.

module, a saturable reactor, a time delay module, a connector, and wiring. Used to support displays and control functions.

CM BLOCK II Similar and probably identical to Block I.

LEM Not defined in LEM at this time.

#### Eye Register for Reticule

CM Not in CM.

LEM Device or equipment not defined yet in detail to position the LEM pilot's eye to use the window marking reticule pattern for landing point observation and selection during the constant flight path phase of landing.

#### Film Cartridges

CM BLOCK I and BLOCK II Consists of film cartridges and film for map and data viewer.

LEM Does not exist in LEM.

#### G&N Indicator Control Panel

CM BLOCK I and BLOCK II Consists primarily of controls and displays for the operation of the optics, and the IMU temperature control. Includes display and control elements, panel, panel writing, and supporting hardware.

LEM Not defined at this time for LEM.

#### G&N Interconnection Assembly

CM BLOCK I Consists of PSA End Connector Assembly and interconnect wiring harness which electrically ties together the assemblies that constitute a completely integrated system. This term does not include the G&N to CM Interface Assembly weight or the weights of harness support brackets which are a NAA responsibility.

CM BLOCK II Similar to Block I but not interchangeable with Block I.

LEM Not clearly defined at present, was called in earlier reports the AGC/PSA Interconnection Assy. Because of the wide separation of G&N components, most interconnection will be accomplished as part of spacecraft wiring.

### G&N to S/C Interface Assembly

CM BLOCK I Interconnections between the spacecraft wiring channel, the computer end connector, and the PSA end connector. Contains no active electronics.

CM BLOCK II Similar in function to Block I except the configuration is much different and not interchangeable with Block I.

LEM Not identified yet as a separate item in LEM.

### Horizon Photometer

CM BLOCK I Not all Block I systems will contain this function, but to support expected early unmanned flights using Block I this will be incorporated into later Block I systems for preflight qualification and flight test. Equipment is defined below. Block I weights assume horizon photometer.

CM BLOCK II An earth horizon brightness photometer and automatic star tracker for navigation measurements against the earth's illuminated limb. The sensors are incorporated into the head of the SXT, the weight of which includes this function. The PSA includes support electronics.

LEM Not part of LEM.

### Inertial Measurement Unit (IMU)

CM BLOCK I Size 14 IMU (14-inch case diameter) gimbal assembly including all parts inside hermetic case and including entrapped coolant.

CM BLOCK II Size 12.5 IMU functionally interchangeable with Block I unit, but not physically interchangeable with Block I.

LEM Size 12.5 IMU as described above.

### IMU Control Panel

CM BLOCK I Consists of panel, wiring, attitude error meter, CDU transfer switch, manual alignment switch, CDU mode control switches, connector, and supporting hardware.

CM BLOCK II Does not exist in Block II. Moding is done by AGC program and AGC push buttons.



LEM Not defined at this time for LEM.

#### Indicator Control Panel

CM BLOCK I and BLOCK II Consists primarily of controls and displays for the operation of the optics and the IMU temperature control. Includes display and control elements, panel, panel wiring, and supporting hardware.

LEM Not defined at this time for LEM.

#### Long-Eye-Relief Eyepieces

CM BLOCK I and BLOCK II Consists of a SXT and a SCT eyepiece to provide eye relief of at least 1.6 inches for closed-visor operation. Used in place of normal eyepieces of SXT and SCT.

LEM Long-eye-relief eyepieces for the AOT is included as part of the AOT in this accounting.

#### Map and Data Viewer(MDV)

CM BLOCK I and BLOCK II Film viewer for display of maps, charts, procedures, etc. Weight includes one film cartridge for Block I MDV and tentatively two for Block II MDV.

LEM Not in LEM; see Book of Procedures.

#### NVB and Isolation Mounts

CM BLOCK I Rigid beryllium structure supporting the IMU and the optical subsystem with its associated hardware. The NVB is attached to the spacecraft using flexible isolation mounts to prevent spacecraft strains from distorting the NVB and the alignment between the IMU and Optics. These mounts also provide shock and vibration attenuation.

CM BLOCK II Functionally similar to Block I but will be lighter and provide for mounting the size 12.5 IMU.

LEM The need for tying the AOT and IMU together exists but is accomplished using structure provided by the spacecraft contractor.

### Optical Eyepieces

CM BLOCK I Removable SXT eyepiece and removable SCT 1- and 3-power eyepiece combination.

CM BLOCK II Same as Block I for SXT but only a 1-power eyepiece will be used with the SCT.

LEM Included as part of the AOT.

### Optical Subsystem

CM BLOCK I Consists of SXT, SCT, Optical base, and associated hardware defined as follows:

|               |  |
|---------------|--|
| SXT:          | Sextant -- a two-line-of-sight, narrow-field, two-degree-of-freedom sextant and its attached gearing   |
| SCT:          | Scanning Telescope -- a single-line-of-sight, wide-field-of view, two-degree-of-freedom articulation optical instrument and its attached gearing |
| OPTICAL BASE: | Base for SXT and SCT with associated gearing and internal cooling.   |

CM BLOCK II Similar to Block I except for changes in the sextant to provide line-of-sight velocity control directly without CDU's. The horizon photometer is incorporated into the SXT.

LEM Not in LEM; see AOT.

### Optical Shroud & Cover Assembly

CM BLOCK I and BLOCK II Consists of the optical shroud and protective cover.

LEM Does not exist in LEM.

### Power Servo Assembly (PSA)

CM BLOCK I Consists of most of the support electronics: power supplies; IMU, Optics, and CDU servos; IMU temperature control; and accelerometer and gyro pulse torquing. Consists of 10 trays with replaceable modules which plug into the PSA end connector assembly. Includes front toe plate but not the cold plate.

CM BLOCK II Similar in function to Block I but does not contain the CDU servos needed in Block I. Consists of a single plane matrix header to mount onto the cold plate with the modules plugging onto the top.

LEM See Appendix A for weight breakdown.

#### PSA End Connector Assembly

CM BLOCK I Electrical interconnection between the PSA trays, the G&N interconnection Assy, and the G&N to CM interface Assy.

CM BLOCK II Not identified as a separate item; will be part of the PSA matrix header.

LEM Not yet defined. Will probably not exist in LEM.

#### PSA Covers

CM BLOCK I Not required.

CM BLOCK II Protective cover to protect the PSA module connections from moisture during flight.

LEM Same as Block II except lighter in weight.

#### Two-Digit Readout for Reticule

CM Bot in CM.

LEM A 2-digit readout driven by the AGC from 00 to 99 to indicate range component of landing point using fixed numbered scale on window reticule.

Appendix A

VOLUMES AND WEIGHTS FOR LEM PSA MODULES

Table A-I shows weights and volumes for the LEM PSA modules.

Table A-I. LEM PSA Weight and Volume

| Module                       | No. of Modules | Total Vol. (in.) | Total Wt. (lbs)  |
|------------------------------|----------------|------------------|------------------|
| <u>GYRO PULSE TORQUING</u>   |                |                  |                  |
| DC Amp. and PVR              | 1              | 4.57             | 0.173 (M)        |
| Switch Module                | 1              | 7.55             | 0.242 (E)        |
| Pulse Torque Gyro Calib.     | <u>1</u>       | <u>3.00</u>      | <u>0.200 (E)</u> |
|                              | 3              | 15.12            | 0.615            |
| <u>ACCEL. PULSE TORQUING</u> |                |                  |                  |
| DC Amp. and PVR              | 3              | 13.71            | 0.518 (C)        |
| Binary Current Switch        | 3              | 22.65            | 0.800 (C)        |
| PIPA Calibration             | 3              | 15.72            | 0.610 (C)        |
| AC Amp. and Interrogator     | <u>3</u>       | <u>17.70</u>     | <u>0.710</u>     |
|                              | 12             | 69.78            | 2.638            |
| <u>POWER SUPPLIES</u>        |                |                  |                  |
| 120-Volt Supply              | 1              | 18.50            | 1.200 (C)        |
| -28 VDC Power                | 1              | 12.55            | 0.708 (M)        |
| 3200-cps 1% Amp.             | 1              | 6.24             | 0.281 (M)        |
| 3200-cps AAC, Filter & Multi | 1              | 6.24             | 0.287 (M)        |
| 800-cps 1% Amp.              | 1              | 9.23             | 0.704 (M)        |
| 800-cps 5% Amp.              | 2              | 25.10            | 2.010 (M)        |
| 800-cps AAC, Filter & Multi  | 2              | 13.12            | 0.612 (M)        |
| G&N Sub-system Filters       | <u>2</u>       | <u>14.00</u>     | <u>0.771 (C)</u> |
|                              | 11             | 104.98           | 6.573            |
| <u>IMU</u>                   |                |                  |                  |
| Gimbal Servo Amp.            | 3              | 31.89            | 1.749 (M)        |
| Gimbal Coarse Align.         | 3              | 14.76            | 0.753 (M)        |
| Temp. Control                | 1              | 16.51            | 0.972 (E)        |

(cont)

Table A-I. LEM PSA Weight and Volume (cont)

|                                    |                 |              |                  |
|------------------------------------|-----------------|--------------|------------------|
| IMU Mode Relays                    | 1               | 2.64         | 0.106 (E)        |
| Failure and Warning                | <u>1</u>        | <u>10.21</u> | <u>0.498 (E)</u> |
|                                    | 9               | 76.01        | 4.078            |
| <hr/>                              |                 |              |                  |
| Total Number of Modules            | 35              |              |                  |
| Total Module Volume                | 265.9 cu. in.   |              |                  |
| Total Module Weight                | 13.9 lbs.       |              |                  |
| Header Weight (60% of Block II CM) | 10.9 lbs.       |              |                  |
| Cover Weight                       | <u>2.4 lbs.</u> |              |                  |
| TOTAL LEM PSA WEIGHT               | 27.2 lbs.       |              |                  |