

APOLLO ENGINEERING MEMORANDUM AP-M #4636

11 January 1965  
Revision A

TO: Distribution

FROM: Mr. P. Grant

SUBJECT: THE POWER SUPPLY AND COMMON CIRCUITS OF THE ELECTRONIC COUPLING  
DATA UNIT. (Paper III)

This is the third of a series of papers describing the electronic CDU. The original issue of this memo broadly described three alternatives for supplying logic power, 4 VDC, to the digital section of the electronic CDU. Since that time a choice has been made making that memo obsolete. This memo is intended to supercede the original memo and explain the 4 VDC supply which will be independent, and of different design, from that of the computer's 4 V supply. In addition, this memo will present and explain common circuits of the electronic CDU. An hour long talk to support this memo will be given on Tuesday, January 19 at 9:00 AM in the SAT Conference Room.

It may be recalled from the original memo that the Block I AGC 3 VDC supply had an inherent draw back in that if the driver transistor of the supply failed shorted, 28 VDC would be applied to the 3 V logic elements. This disadvantage is overcome in the electronic CDU supply by design. Refer to the enclosed schematic. The theory of operation is as follows: A free-running multivibrator whose natural frequency is 11.5 K CPS is slaved to the 25.6 K PPS pulse train developed in the ECDU but dependent on the 51.2 K PPS clock pulse train from the computer. The 12.8 K CPS output of the multi drives the power switch. The power switch output level is determined by the series regulator which generates a DC level proportional to the difference between the 4 V output and a pre-determined reference. This regulated DC level (approximately 21 V) is the level to which the power switch will drive. The amplitude modulated 12.8 K CPS square wave from the power switch is transformer coupled to the rectifier and filter where the desired output of 4 VDC is developed with better than 1% regulation for line and load variations.

The digital logic system for a five axes ECDU consumes between 2.5 and 3.0 amps maximum from the 4 VDC supply. For completeness the average power consumption of the analog modules from the +28 VDC source are listed on a separate sheet at the end of this memo.

The operational amplifier shown in Figure 3 is used throughout the ECDU as an analog computing device. Its function is to adjust the amplitudes of the input voltages by the factor  $Z$  feedback, algebraically sum these adjusted  $Z$  input

voltages at the summing junction and invert the result. Thus, the basic analog computing operations of amplification, attenuation, summing and inverting are accomplished. Power amplification is also provided, the output impedance being approximately 0.1 ohms. The open loop response of gain and phase shift versus frequency is graphically presented in Figure 5. With feedback and input resistors of 25 K,  $B^+$  equal to 28 VDC, and a 800 CPS input frequency, the amplifier begins to saturate with an input signal of 8.2 V RMS. A breakdown of the number of operational amplifiers used per module for a one axis IMU system is given below.

Quadrant Selector Module	- - - - -	6
Main Summing Amplifier Module	- - - - -	2
Coarse Module	- - - - -	1

The accuracy of the ECDU is dependent upon many factors one of which is the level to which error detection is possible. Voltage level detection is accomplished by the Schmitt trigger circuit shown in Figure 4A. The Schmitt's triggering level is set by the input resistors (in Figure 4A, it's the 3.9 K resistor). The trigger levels are listed below for reference.

NOMINAL SCHMITT TRIGGER VOLTAGES  
(Measured at output of emitter followers)

	<u>Min.</u>	<u>Nom.</u>	<u>Max.</u>	
Fine Ternary Level (Fine Schmitt) IMU	180	200	210	mv P-P
Fine Ternary Level (Fine Schmitt) TRUNN	180	200	210	mv P-P
High Ternary Level (2-speed Schmitt)	3.2	4.0	4.2	v P-P
5V Coarse Ternary Level (Coarse Schmitt)	1.25	1.33	1.4	v P-P
Ambiguity Detect (Ambig. Schmitt)	6.0	7.0	9.0	v P-P
4V Coarse Ternary Level	1.26	1.4	1.54	v P-P

Fine and Coarse Ternary Levels include dead zones of 1 to 2 bits.

The circuits operation is as follows: The 2N914 transistor is normally on providing a voltage across its 56 ohm emitter resistor which is common with the 2N2980 emitter and provides bias to keep the 2N2980 off. Hence, all the current through the 68 K base resistor of the 2N2980 transistor flows through the diode portion of the 2N2980 and through the 1 K resistor to ground. The base-emitter junction of the first transistor of the 2N2980 is used only as a diode with no connection to the collector. Both base-emitter junction voltages in the 2N2980 are matched to within 5 mv with similar temperature coefficients. The result of using these matched junctions is stable trigger voltages with temperature variation. Triggering is accomplished when the input voltage rises beyond the trigger level

and back biases the diode of the 2N2980 and allows the base of the 2N2980 transistor to rise toward the 6.2 V zener voltage. When the emitter bias of the 2N2980 transistor is overcome, it fires and causes the 2N914 to turn off and the output to rise to 6.2 V. When the input voltage decreases to below the trigger level the reverse happens and the output voltage returns to approximately 0 volts. Hence, the output of the Schmitt is always a positive going pulse.

The analog switch and driver configuration shown in Figure 4B is used extensively throughout the electronic CDU. The input to the driver (enabling function) is normally high keeping the driver saturated and the base of the switch starved for current and the switch off (or open). When a ground is applied to the input, the driver turns off and its collector (and base of the switch) rises toward +28 VDC allowing the switch to become AC saturated and on (or closed).

Don't miss the next exciting chapter which is entitled "The Fine System of the ECDU".

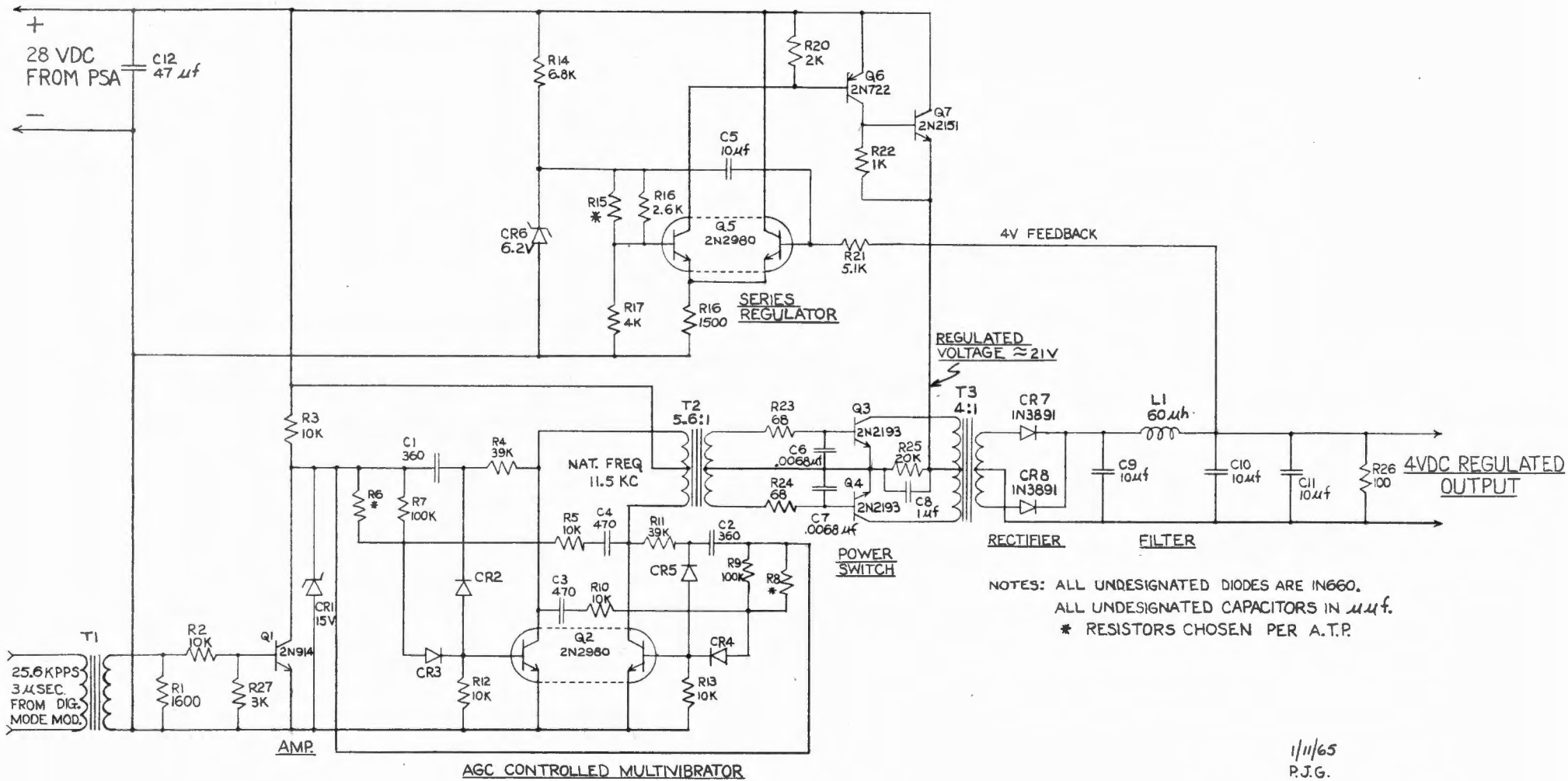
*Paul Grant*

---

P. Grant  
Digital Systems Group  
Apollo Engineering

PG/np

# ELECTRONIC CDU 4VDC POWER SUPPLY

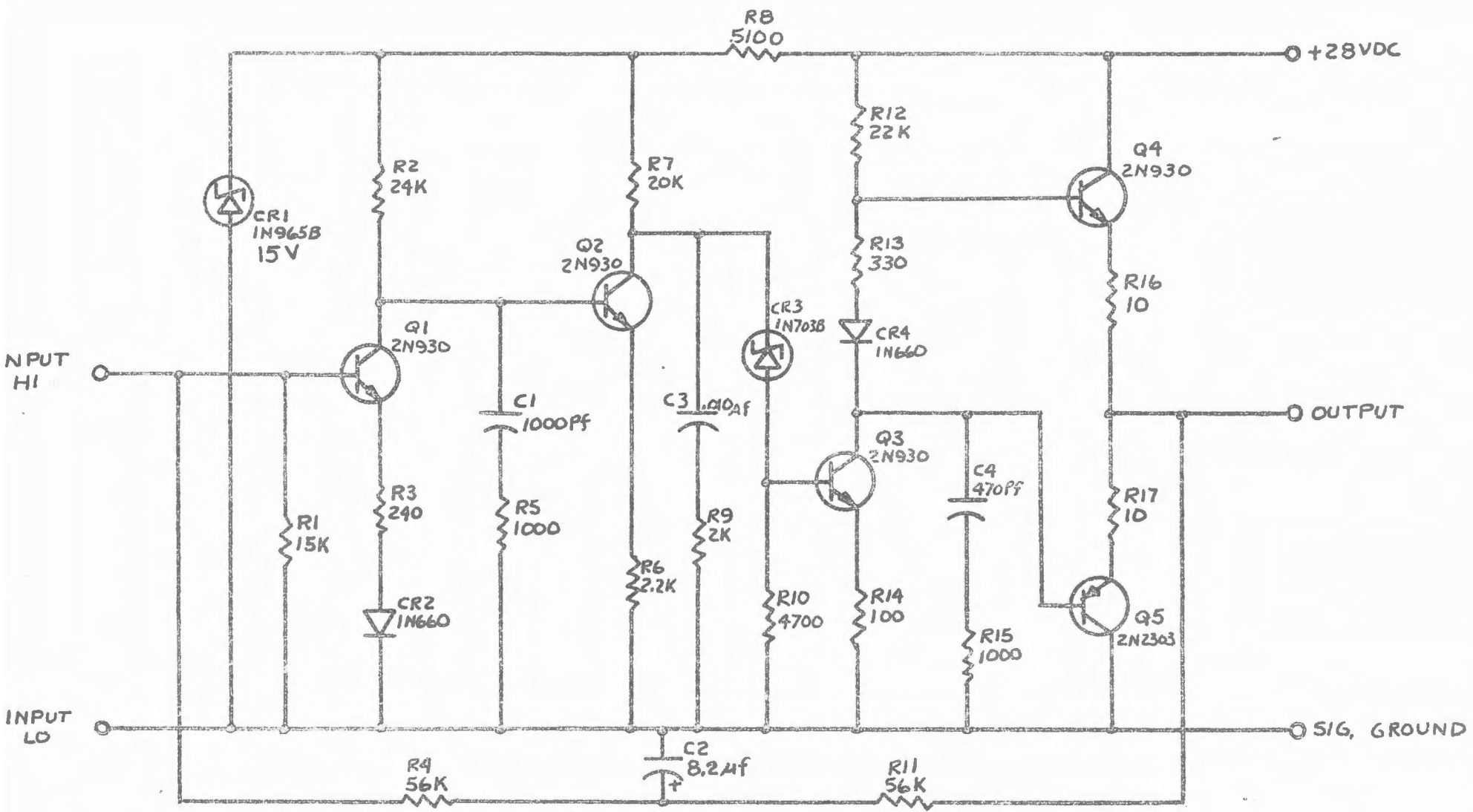


1/11/65  
P.J.G.

## ELECTRONIC COUPLING DATA UNIT

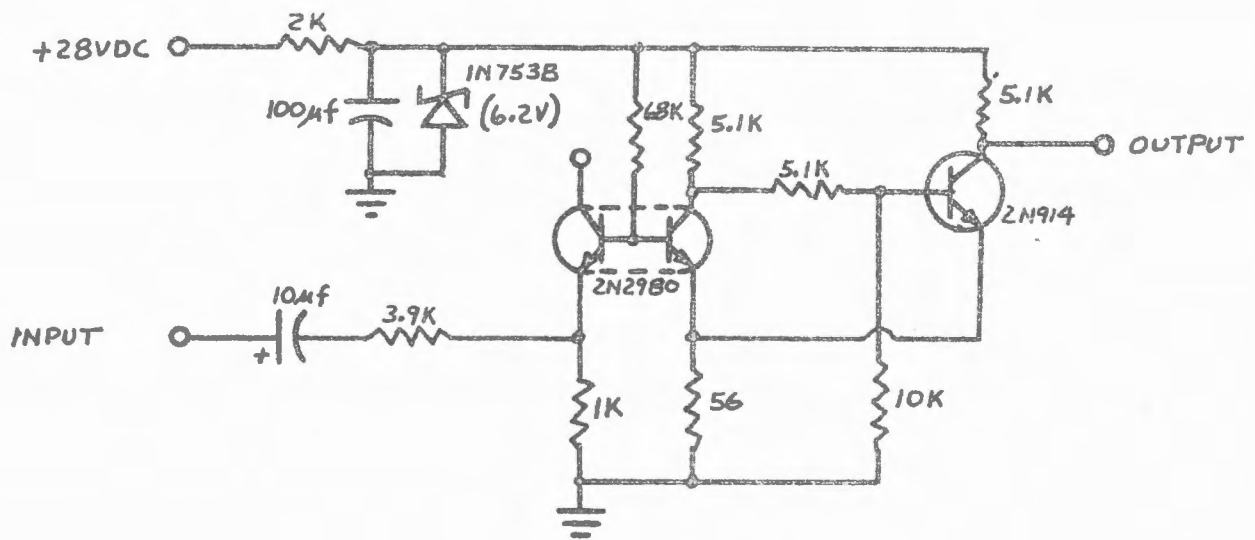
## FIVE AXES SYSTEM POWER REQUIREMENTS (APPROXIMATE)

Module	# Mod. Required Per 5 Axis System	Current/ Module	Power In Watts
Analog Mode (Formerly the Analog Interrogate Mode Module)	1	20 ma	.56 W
D/A Converter	5	27	3.78
Coarse System	4	46	5.15
Quadrant Selector	5	48	6.71
Main Summing Amplifier	5	58	8.12
		<u>199 ma</u>	<u>24.32 W</u>
Digital Logic @ 4 VDC 2.8 amps			<u>11.2</u>
Total Power Consumption for 5 axes system			<u>35.5 W</u>



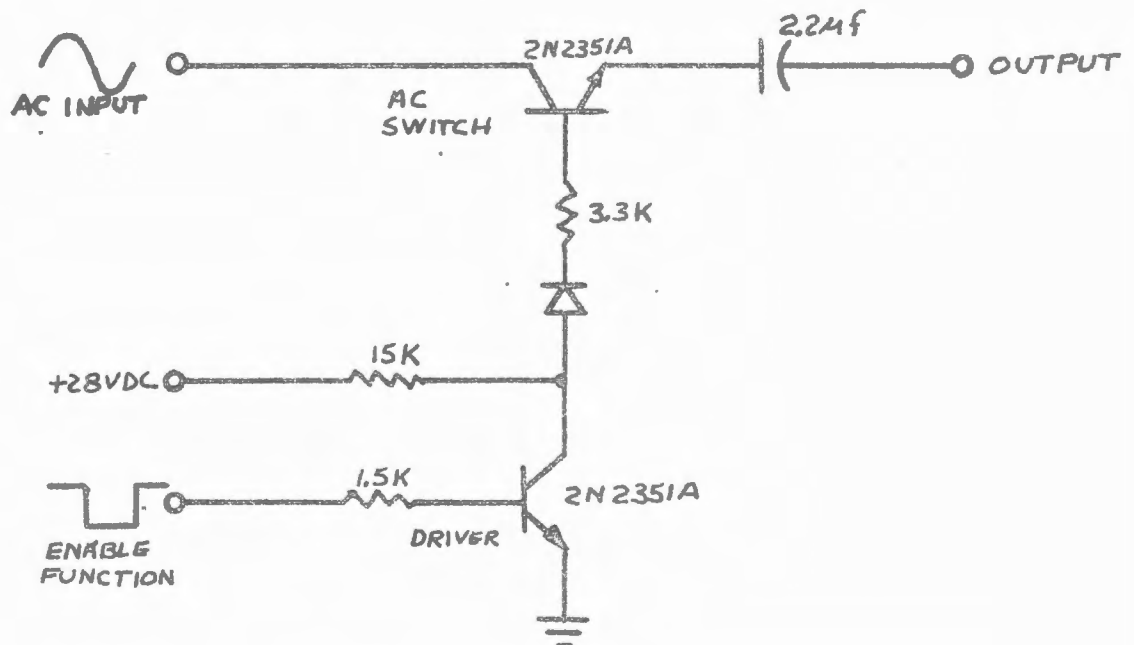
OPERATIONAL AMPLIFIER - ECDU

FIG. 3



SCHMITT TRIGGER

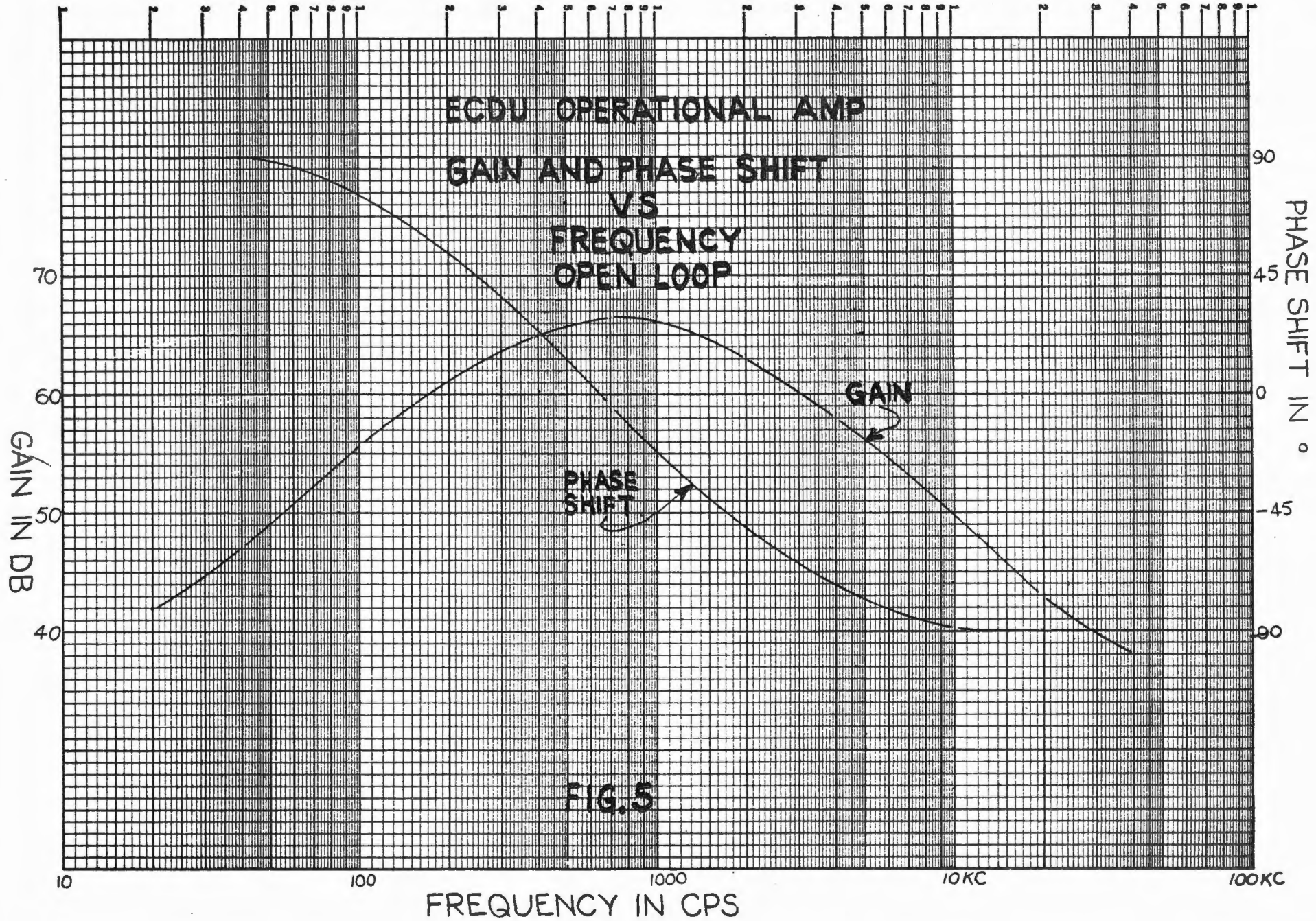
FIG. 4A



SWITCH AND DRIVER CONFIGURATION

FIG. 4B







DISTRIBUTION LIST

(ACSP)

Digital Systems Group  
Don Gothard  
Mark Mastandrea  
Don Grassell  
Gordon Hinricks  
Richard Streufert  
Joe Calabretta  
John Prange 38-03  
E. Herbert  
D. French  
J. Tennel

(NAA)

Jim Corrigan

(MIT/IL)

\*Glenn Cushman (7)  
Mark Birnbaum  
Bob Kowalski  
Bob Lee  
Marvin Smith  
John Barker  
Ted Rogers

\*Steve Glatch (8)  
Bob Erickson  
~~George Silver~~  
John Weber  
Jerry Gilmore  
Rom Gilbert  
Dick McKern  
M. Sack