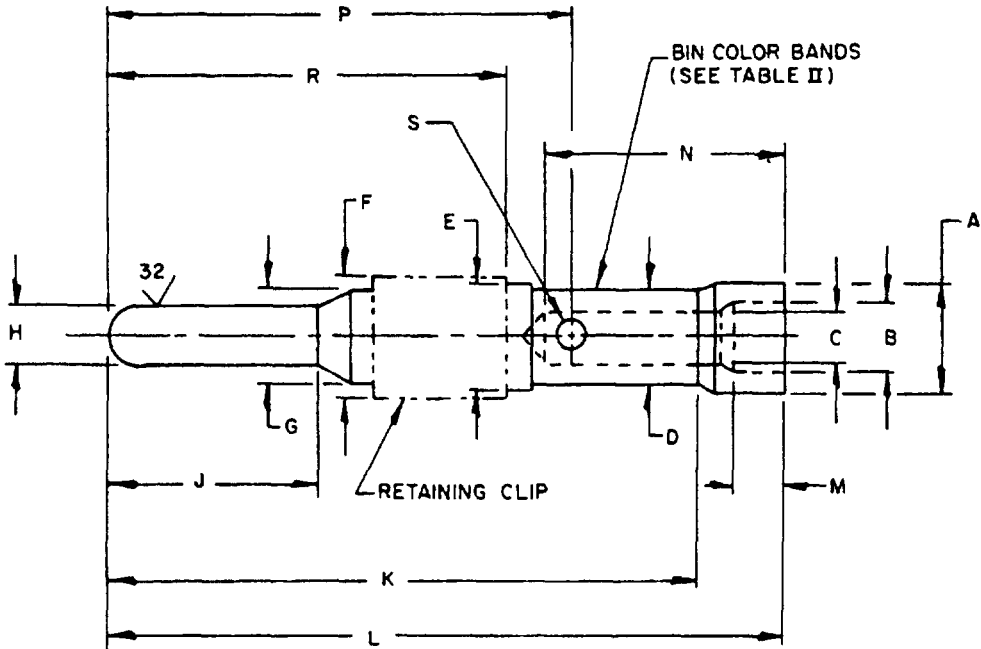


MILITARY SPECIFICATION SHEET

CONTACTS, ELECTRICAL CONNECTOR, PIN, CRIMP REMOVABLE,
 (FOR MIL-C-28748/3 AND MIL-C-28478/13 CONNECTORS)

This specification is approved for use by all Depart-
 ments and Agencies of the Department of Defense

The complete requirements for procuring the contacts described herein shall
 consist of this document and the latest issue of Specification MIL-C-39029



NOTES:

1. Dimensions are in inches.
2. Metric equivalents are given for general information only and are based upon 1.00 inch = 25.4 mm.
3. Dimensions shown apply after plating.
4. Wall thickness of any part of contact shall be not less than .010 (.25 mm).

FIGURE 1. Dimensions and configuration.

(B) denotes changes

TABLE I. Dimensions.

BIN code	A Dia	B Dia	C Dia	D Dia	E Dia	F Dia	G Dia	H Dia	J	K	L	M	N	P	R	S I/ Dia
271	.121 (3.07)	.070 (1.78)	.048 (1.22)	.079 (2.01)	.119 (3.02)	.135 (3.43)	.101 (2.57)	.041 (1.04)	.319 (8.10)	.695 (17.65)	.771 (19.58)	.075 (1.90)	.265 (6.73)	.545 (13.84)	.510 (12.95)	.034 (.86)
	.119 (3.02)	.067 (1.70)	.044 (1.12)	.076 (1.93)	Max	Max	.099 (2.51)	.039 (.99)	.299 (7.59)	.675 (17.14)	.757 (19.23)	.055 (1.40)	.245 (6.22)	.525 (13.34)	.490 (12.45)	.028 (.71)
272	.121 (3.07)	.070 (1.78)	.048 (1.22)	.079 (2.01)	.119 (3.02)	.135 (3.43)	.101 (2.57)	.0635 (1.613)	.319 (8.10)	.695 (17.65)	.771 (19.58)	.075 (1.90)	.265 (6.73)	.545 (13.84)	.510 (12.95)	.034 (.86)
	.119 (3.02)	.067 (1.70)	.044 (1.12)	.076 (1.93)	Max	Max	.099 (2.51)	.0615 (1.562)	.299 (7.59)	.675 (17.14)	.757 (19.23)	.055 (1.40)	.245 (6.22)	.525 (13.34)	.490 (12.45)	.028 (.71)
273	.121 (3.07)	.095 (2.41)	.070 (1.78)	.112 (2.84)	.119 (3.02)	.135 (3.43)	.101 (2.57)	.0635 (1.613)	.319 (8.10)	.695 (17.65)	.771 (19.58)	.075 (1.90)	.265 (6.73)	.545 (13.84)	.510 (12.95)	.034 (.86)
	.119 (3.02)	.092 (2.34)	.066 (1.68)	.109 (2.77)	Max	Max	.099 (2.51)	.0615 (1.562)	.299 (7.59)	.675 (17.14)	.757 (19.23)	.055 (1.40)	.245 (6.22)	.525 (13.34)	.490 (12.45)	.028 (.71)
440	.077 (1.96)	.057 (1.45)	.037 (.94)	.070 (1.78)	.077 (1.96)	.078 (1.98)	.061 (1.55)	.031 (.79)	.175 (4.44)	.587 (14.91)	.625 (15.88)	.045 (1.14)	.145 (3.68)	.510 (12.95)	.450 (11.43)	.023 (.58)
	.074 (1.88)	.054 (1.37)	.034 (.86)	.067 (1.70)	.074 (1.88)	Max	.058 (1.47)	.029 (.74)	.155 (3.94)	.567 (14.40)	.605 (15.37)	.025 (.64)	.125 (3.18)	.490 (12.45)	.430 (10.92)	.017 (.43)

I/ Hole - one wall locate on axial C_L within $\pm .008$ (.20 mm).

(B)

TABLE II. Design characteristics.

BIN code	Color bands			Mating end size	Wire barrel size	Type	Class
	1st	2nd	3rd				
271	Red	Violet	Brown	20	20	} A }	} A }
272	Red	Violet	Red	16	20		
273	Red	Violet	Orange	16	16		
440	Yellow	Yellow	Black	22	22		

TABLE III. Tools.

BIN code	Basic crimping tool	Positioner	Installing tool	Removal tool
271	M22520/1-01	M22520/1-03 Blue/Red	M81969/18-01	M81969/20-01
272	M22520/1-01	M22520/1-03 Blue/Red	M81969/18-01	M81969/20-01
273	M22520/1-01	M22520/1-03 Blue/Red	M81969/18-01	M81969/20-01
440	M22520/2-01	Buchanan 614412, Daniel K187, or equivalent	M81969/18-02	M81969/20-02

REQUIREMENTS

Dimensions, design characteristics, and configuration See FIGURE 1 and TABLES I and II

Tools See TABLE III.

(B)
(B)

Vibration. Method 2005 of MIL-STD-1344, test condition II.

Shock (specified pulse) Method 2004 of MIL-STD-1344, test condition I.

Mating contact See MIL-C-39029/35

(B)

QPL evaluating activity Naval Avionics Center, Indianapolis, Indiana 46218

Military part number. See TABLE IV

(B)

TABLE IV. Military part number.

BIN code	Military part number	Supersedes
271	M39029/34-271	MS17803-20-20
272	M39029/34-272	MS17803-16-20
273	M39029/34-273	MS17803-16-16
440	M39029/34-440	M39029/34-22-22

MIL-C-39029/34B

Custodians

Army - CR
Navy - EC
Air Force - 85

Review activities:

Army - AR, MI, AT
Navy - AS, SH
Air Force - 11, 17, 99
DLA - ES

User activities

Army - ME, AV
Navy - MC, OS
Air Force -

Preparing activity
Navy - EC

Agent
DLA - ES

(Project 5935-N109-5)

STANDARDIZATION DOCUMENT IMPROVEMENT PROPOSAL

INSTRUCTIONS This form is provided to solicit beneficial comments which may improve this document and enhance its use DoD contractors, government activities, manufacturers, vendors, or other prospective users of the document are invited to submit comments to the government Fold on lines on reverse side, staple in corner, and send to preparing activity Attach any pertinent data which may be of use in improving this document If there are additional papers, attach to form and place both in an envelope addressed to preparing activity A response will be provided to the submitter, when name and address is provided, within 30 days indicating that the 1426 was received and when any appropriate action on it will be completed

NOTE This form shall not be used to submit requests for waivers, deviations or clarification of specification requirements on current contracts Comments submitted on this form do not constitute or imply authorization to waive any portion of the referenced document(s) or to amend contractual requirements

DOCUMENT IDENTIFIER (Number) AND TITLE

1114 C-39039/34B

NAME OF ORGANIZATION AND ADDRESS OF SUBMITTER

VENDOR USER MANUFACTURER

1 HAS ANY PART OF THE DOCUMENT CREATED PROBLEMS OR REQUIRED INTERPRETATION IN PROCUREMENT USE? IS ANY PART OF IT TOO RIGID RESTRICTIVE, LOOSE OR AMBIGUOUS? PLEASE EXPLAIN BELOW

A GIVE PARAGRAPH NUMBER AND WORDING

B RECOMMENDED WORDING CHANGE

C REASON FOR RECOMMENDED CHANGE(S)

2 REMARKS

SUBMITTED BY (Printed or typed name and address - Optional)

TELEPHONE NO

DATE

DD FORM 1426
1 OCT 76

EDITION OF 1 JAN 72 WILL BE USED UNTIL EXHAUSTED

FOLD

DEPARTMENT OF THE NAVY
NAVAL ELECTRONIC SYSTEMS COMMAND
WASHINGTON, D.C. 20360

POSTAGE AND FEES PAID
NAVY DEPARTMENT
DOD 316



OFFICIAL BUSINESS
PENALTY FOR PRIVATE USE \$300

COMMANDER
NAVAL ELECTRONIC SYSTEMS COMMAND
DEFENSE STANDARDIZATION PROGRAM BRANCH
DEPARTMENT OF THE NAVY
WASHINGTON, D.C. 20360

FOLD