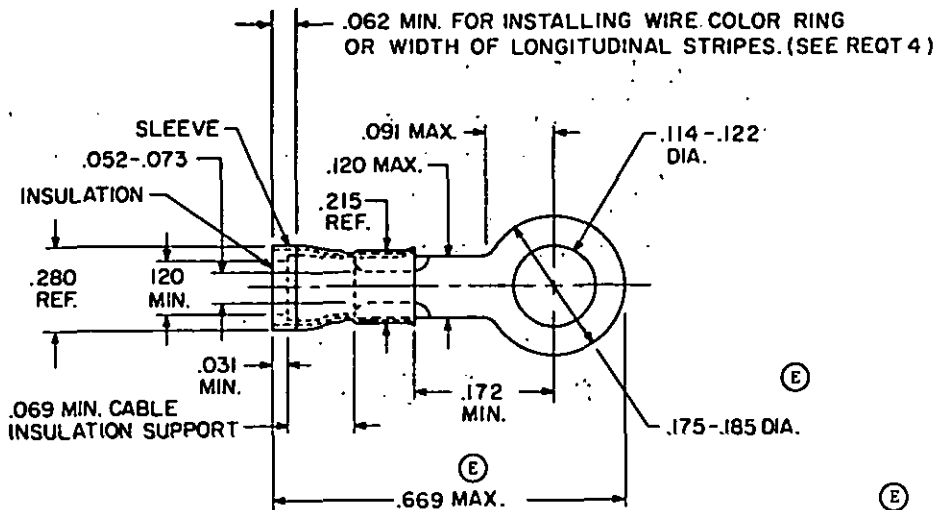


USER SYMBOLS:

REVIEWER SYMBOLS:
ARMY-ER, AV, MI
NAVY-SH, EC
USAF-11

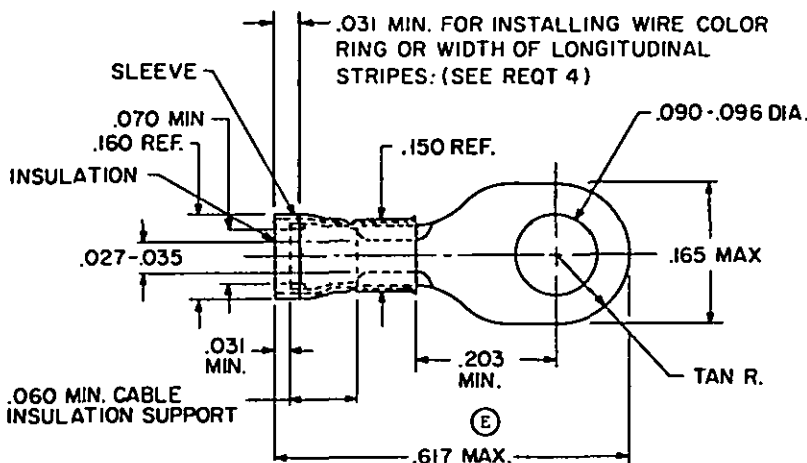
"Review/user information is current as of the date of this document.
For future consideration of changes to this document, draft circulation
should be based on the information in the current DODISS."

This military standard is approved for use by all Departments
& Agencies of the Department of Defense. Selection for all use
requiring and design specifications and for repetitive use shall
be made from this document.



TONGUE MATERIAL THK. = .027-.035
WIRE SIZE 22-18
MS 17182-1

INCHES	MM
.018	0.46
.025	0.64
.027	0.69
.031	0.79
.035	0.89
.052	1.32
.060	1.52
.062	1.57
.069	1.75
.070	1.78
.073	1.85
.090	2.29
.091	2.31
.096	2.44
.114	2.90
.120	3.05
.122	3.10
.150	3.81
.160	4.06
.165	4.19
.172	4.37
.175	4.45
.185	4.70
.203	5.16
.215	5.46
.280	7.11
.617	15.67
.669	16.99



TONGUE MATERIAL THK = .018-.025
WIRE SIZE 26-24
MS 17182-2

REFERENCED DOCUMENTS SHALL BE OF THE ISSUE IN EFFECT ON DATE OF INVITATIONS FOR BIDS, OR REQUEST OF PROPOSAL EXCEPT THAT REFERENCED ADOPTED INDUSTRY DOCUMENTS SHALL GIVE THE DATE OF THE ISSUE ADOPTED.

FOR DESIGN FEATURE PURPOSES, THIS STANDARD TAKES PRECEDENCE OVER ACQUISITION DOCUMENTS REFERENCED HEREIN.

(E) REVISED

P. A. NAVY - AS Other Cust ARMY - AR AIR FORCE - 85	TITLE TERMINAL, LUG, CRIMP STYLE, COPPER, INSULATED (SERVO-COMPONENTS) TYPE II, CLASS 1, FOR 125°C TOTAL CONDUCTOR TEMPERATURE	MILITARY STANDARD MS17182
	ACQUISITION SPECIFICATION SUPERSEDES BUORD DWG 2081851 AND 12-Z-7001-2813 MS17182(WP)	SHEET 1 OF 2

USER SYMBOLS:

REVIEWER SYMBOLS:
ARMY-ER,AV,MI
NAVY-SH,EC
USAF-11

"Review/year information is current as of the date of this document. For future coordination of changes in this document, credit circulation should be based on the information in the current '00193'."

This military standard is approved for use by all Departments and Agencies of the Department of Defense. Selection for all engineering and design specifications and for repetitive use shall be made from this document.

REQUIREMENT:

1. MATERIAL: LUG-COPPER, ANNEALED.
2. INSULATION MATERIAL: THERMO-PLASTIC. (COLOR, SEE REQ 4)
3. FINISH: TIN PLATE PER MIL-T-10727.
4. INSULATION COLOR: MS17182-1 (RED WITH GREEN STRIPES), MS17182-1 (YELLOW WITH BROWN STRIPES). INSTALLING WIRE COLOR RING MAY BE THREE LONGITUDINAL STRIPES EQUALLY SPACED ON THE INSULATION PORTION OF THE TERMINALS.
 - a. BASE COLOR OF INSULATION IDENTIFIES PROPER CRIMP SIZE WITH APPROPRIATE TOOL.
 - (E) b. GREEN OR BROWN STRIPE COLOR IDENTIFIES PROPER COLOR OF INSULATION OF INSTALLING WIRE. INSTALLING WIRE COLOR RING SHALL BE IN ACCORDANCE WITH EIA STANDARD RS-359. THERE SHALL BE A DISTINCT CONTRAST BETWEEN THE INSULATION SLEEVE COLOR AND THE INSTALLING WIRE COLOR RING OR STRIPE.
5. WIRE INSERTION SHALL BE FACILITATED BY BELL MOUTH.
6. TOOL:

FOR MS17182-1 USE MIL-C-22520/5-01 TOOLING WITH MIL-C-22520/5-100 DIES INSTALLED OR USE MIL-C-22520/10-01 TOOLING WITH MIL-C-22520/10-101 DIES INSTALLED.

- (E) FOR MS17182-2 USE MIL-C-22520/5-01 TOOLING WITH MIL-C-22520/5-101 DIES INSTALLED OR USE MIL-C-22520/10-01 TOOLING WITH MIL-C-22520/10-102 DIES INSTALLED.

NOTES:

1. DIMENSIONS ARE IN INCHES.
2. REMOVE BURRS AND BREAK SHARP EDGES.
3. METRIC EQUIVALENTS (TO THE NEAREST .01) ARE GIVEN FOR GENERAL INFORMATION ONLY AND ARE BASED UPON 1 INCH = 25.4 mm.

APPROVED 20 SEPT 1960 REVISED . E FOR CHANGES SEE SHEETS 1 AND 2

P.A. NAVY - 45 Other Cust ARMY - AR AIR FORCE - 85	TITLE	MILITARY STANDARD	
	TERMINAL, LUG, CRIMP STYLE, COPPER, INSULATED (SERVO-COMPONENTS) TYPE 11, CLASS 1, FOR 125° C TOTAL CONDUCTOR TEMPERATURE	MS17182	
ACQUISITION SPECIFICATION	SUPERSEDES	BUORD DWG 20R1851 AND 12-Z-7001-2R13 MS17182(WP)	SHEET 2 OF 2