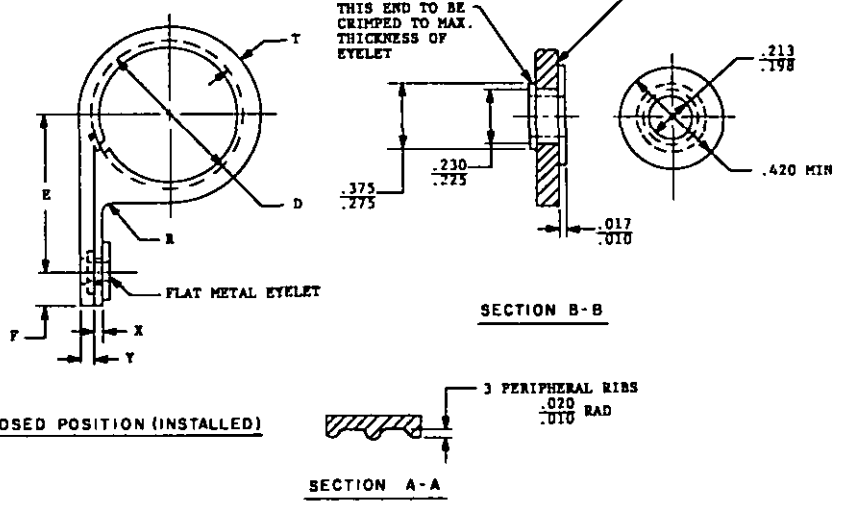
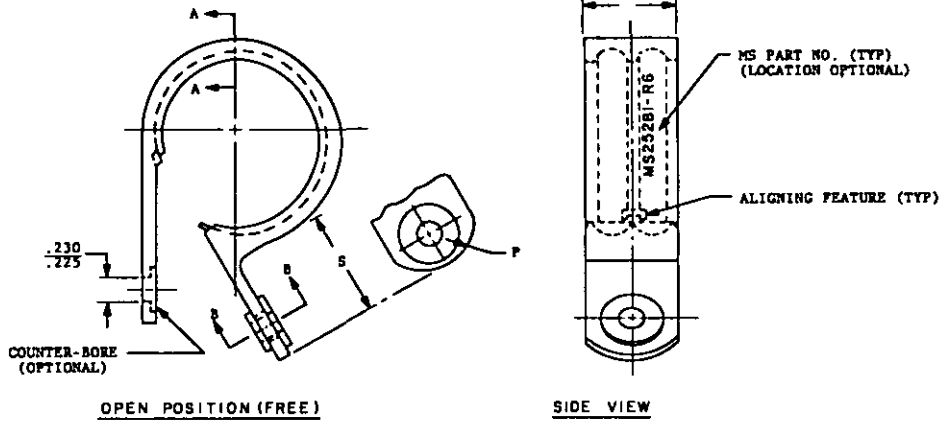


USER SYMBOLS:  
NAVY - HC, SH, OS  
ARMY - AL

REVIEWER SYMBOLS:  
NAVY - EC  
ARMY - AV  
DLA - IS

"Review/revise information is current as of the date of this statement.  
For future consideration of changes to this statement, draft, circulation  
should be based on the information in the current 900133."

This military standard is approved for use by all Departments  
of the Department of Defense. Solicitation for all new  
engineering and design applications and for revising the right  
is made from this document.



**STYLE R-RIBBED INNER DIAMETER**

(K) ENTIRE DRAWING REVISED & REDRAWN

P.A. NAVY - AS Other Code USAF - 99 ARMY - AR	TITLE  CLAMP, LOOP, PLASTIC, WIRE SUPPORT	MILITARY STANDARD
		<b>MS25281</b>
PROCUREMENT SPECIFICATION MIL-S-23190	SUPERSEDES MS39014	SHEET 1 OF 5

APPROVED 1 AUG 1958 REVISED (K) 29 DEC. 1978

TABLE I. FOR STYLE R-RIBBED INNER DIAMETER CLAMPS ONLY

DASH NO.	APPROX. CABLE BUNDLE DIA ± .064	D** ± .020	E ± .025	F	P MIN RADIUS	R ± .005 RADIUS	S ± .010	T		W		X		Y	
								MIN	MAX	MIN	MAX	MIN	MAX	MIN	MAX
-2	1/8	.125	.440												
-3	3/16	.188	.485					.038	.075					.060	
-4	1/4	.250	.510	.260											
-5	5/16	.312	.546	.240	.250		.540			.510					.100
-6	3/8	.375	.578			.062									
-7	7/16	.438	.608									.080			
-8	1/2	.500	.639									.060			
-9	9/16	.562	.675												
-10	5/8	.625	.708												
-11	11/16	.688	.785											.085	
-12	3/4	.750	.816					.050	.085						
-13	13/16	.812	.827												
-14	7/8	.875	.878												
-15	15/16	.938	.910							.495					
-16	1.000	1.000	.941												
-17	1-1/16	1.063	.972												
-18	1-1/8	1.125	.983												
-18*	1-3/16	1.188	1.024	.330	.300		.605			.610				.130	
-20	1-1/4	1.250	1.066	.240											
-21*	1-5/16	1.312	1.070			.100									
-22	1-3/8	1.375	1.110									.130			
-23*	1-7/16	1.438	1.140												
-24	1-1/2	1.500	1.170												
-25*	1-9/16	1.562	1.200					.080	.160			.085		.120	
-26	1-5/8	1.625	1.250												
-27*	1-11/16	1.688	1.270												
-28	1-3/4	1.750	1.300												
-29*	1-13/16	1.812	1.330												
-30	1-7/8	1.875	1.355												
-31*	1-15/16	1.938	1.390												
-32	2.000	2.000	1.420												

\*SEE NOTE 8.  
\*\*"D" DIMENSION TO BE MEASURED MINUS THE RIBS.

USER SYMBOLS:  
NAVY - MC, SH, OS  
ARMY - AL

REVIEWER SYMBOLS:  
NAVY - EC  
ARMY - AV  
DLA - IS

\*Revision/revision information is carried out of the date of this document.  
For future coordination of changes in this document, check all information should be based on the information in the current 90015.

This military standard is approved for use by all Departments & Agencies of the Department of Defense. Solicitation for all new engineering and design modifications and for revisions and shall be made from this document.

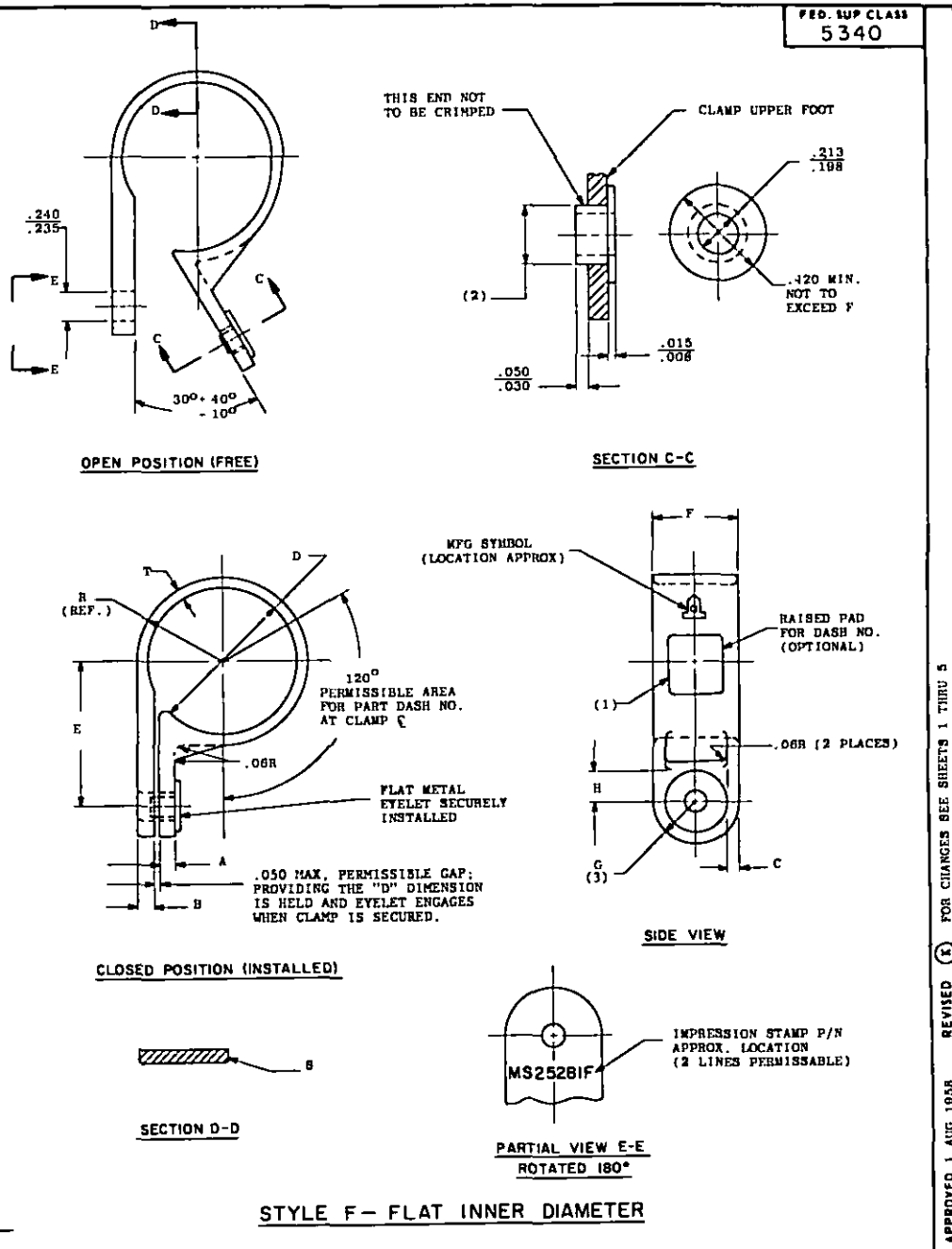
P.A. NAVY - AS Other Cust	TITLE	MILITARY STANDARD
USAF - DD ARMY - AR	CLAMP, LOOP, PLASTIC, WIRE SUPPORT	MS25281
PROCUREMENT SPECIFICATION MIL-S-23190	SUPSEDES MS39014	SHEET 2 OF 5

REVIEWER SYMBOLS:  
NAVY - EC  
ARMY - AV  
DLA - 15

USER SYMBOLS:  
NAVY - RC, SH, OS  
ARMY - AL

"Notice/Year information is current as of the date of this document. For future identification of changes to this document, their circulation should be based on the information in the current DDISB."

This military standard is approved for use by all Departments and Agencies in the Department of Defense. Solicitation for all new engineering and design applications and for repetitive use that are made from this document.



APPROVED 1 AUG 1958 REVISED 1 FOR CHANGES SEE SHEETS 1 THRU 5

P.A. NAVY - AS Other Cust USAF - 09 ARMY - AR	TITLE	MILITARY STANDARD
	CLAMP, LOOP, PLASTIC, WIRE SUPPORT	MS25281
PROCUREMENT SPECIFICATION MIL-S-25100	SUPSEDES MS39014	SHEET 3 OF 5



USER SYMBOLS:  
NAVY - MC, SH, OS  
ARMY - AL

REVIEWER SYMBOLS:  
NAVY - EC  
ARMY - AV  
DLA - IS

"Revision/user information is current as of the date of this document.  
For further explanation of changes in this document, draft nomenclature  
should be based on the information in the current 80D155."

This military standard is approved for use by all Departments  
& Agencies of the Department of Defense. Selection for all new  
procurement and design specifications and for replacement use shall  
be made from this document.

**ADDITIONAL REQUIREMENTS**

**MATERIAL:**

- 1. **NYLON:** HEAT STABILIZED COMPOSITION, MIL-M-20693, COMPOSITION A, TYPE 1.
- COLOR:** NATURAL
- METAL EYELET:** ALUMINUM, ANODIZED IN ACCORDANCE WITH MIL-A-8625.

**NOTES:**

- 1. DIMENSIONS ARE IN INCHES. DIMENSION "D" IS APPLICABLE IN CLOSED POSITION.
- 2. REMOVE ALL BURRS AND SHARP EDGES: BREAK ALL SHARP CORNERS, MOLD MARKS AND NORMAL VENT FLASH ARE PERMISSIBLE.
- 3. METRIC EQUIVALENTS (TO THE NEAREST .01 mm) ARE GIVEN FOR GENERAL INFORMATION ONLY AND ARE BASED UPON 1 INCH = 25.4 mm.
- 4. SIDE GATE CUT-OFF PERMISSIBLE PROVIDING "D" DIAMETER AND INNER EDGE RADIUS ARE NOT DISTURBED.
- 5. CONFIGURATION MAY VARY FROM THAT SHOWN, PROVIDED DIMENSIONS ARE NOT EXCEEDED.
- 6. TENSILE STRENGTH: TENSILE STRENGTH FOR DASH NUMBERS 2 THROUGH 10 SHALL BE 100 POUNDS MINIMUM AND FOR DASH NUMBERS 11 THROUGH 32 SHALL BE 225 POUNDS MINIMUM.
- 7. MOUNTING HOLES MAY BE SLIGHTLY ELONGATED OR DISKED FOR EASY REMOVAL FROM MOLD.
- 8. ODD DASH NUMBERS 19 THROUGH 31 FOR STYLE H ARE NOT CURRENTLY AVAILABLE.
- 9. EXAMPLE OF PART NUMBERS:

THE LETTER "F" or "R" SHALL PRECEDE THE DASH NUMBER SIZE TO INDICATE WHETHER THE CLAMP HAS A FLAT OR RIBBED INNER DIAMETER. MS25281-F6 CLAMP LOOP PLASTIC, WIRE SUPPORT, FLAT INNER DIAMETER 3/8 INCH BUNDLE DIAMETER. MS25281-R8 CLAMP, LOOP, PLASTIC, WIRE SUPPORT, RIBBED INNER DIAMETER, 3/8 INCH BUNDLE DIAMETER.

- 10. FOR DESIGN FEATURE PURPOSES THIS STANDARD TAKES PRECEDENCE OVER PROCUREMENT DOCUMENTS REFERENCED HEREIN.
- 11. REFERENCED DOCUMENTS SHALL BE OF THE ISSUE IN EFFECT ON DATE OF INVITATIONS FOR BIDS, OR REQUEST FOR PROPOSAL EXCEPT THAT REFERENCED ADOPTED INDUSTRY DOCUMENTS SHALL GIVE THE DATE OF THE ISSUE ADOPTED.

APPROVED 1 AUG 1958 REVISED 6 FOR CHANGES SEE SHEETS 1 THRU 5

P.A. NAVY - AS Other Code	TITLE  CLAMP, LOOP, PLASTIC, WIRE SUPPORT	MILITARY STANDARD
		MS25281
USAF - DD ARMY - AR	PROCUREMENT SPECIFICATION MIL-S-23290	SUPERSEDES MS38014
		SHEET 5 OF 5