

NOTICE - WHEN GOVERNMENT DRAWINGS, SPECIFICATIONS, OR OTHER DATA ARE USED FOR ANY PURPOSE OTHER THAN IN CONNECTION WITH A DEFINITELY RELATED GOVERNMENT PROJECT OR OPERATION, THE UNITED STATES GOVERNMENT THEREBY INCURS NO RESPONSIBILITY NOR ANY OBLIGATION WHATSOEVER, AND THE FACT THAT THE GOVERNMENT MAY HAVE FORWARDED, FURNISHED, OR IN ANY WAY SUPPLIED THE SAID DRAWINGS, SPECIFICATIONS OR OTHER DATA IS NOT TO BE REGARDED BY IMPLICATION OR OTHERWISE AS IN ANY MANNER LICENSING THE HOLDER OR ANY OTHER PERSON OR CORPORATION, OR CONFERRING ANY RIGHTS OR PERMISSION TO MANUFACTURE, USE, OR SELL ANY PATENTED INVENTION THAT MAY IN ANY WAY BE RELATED THERETO.

REQUIREMENTS:

1. GENERAL:

- A. INTERPRET DRAWING IN ACCORDANCE WITH THE STANDARDS PRESCRIBED BY MIL-D-70327.
- B. SUPPLIER SHALL CONFORM TO THE QUALITY ASSURANCE PROVISIONS CONTAINED IN ND 1015404, CLASS 2.
- C. UNITS SHALL BE CAPABLE OF MEETING ALL QUALIFICATION REQUIREMENTS OF ND 1002056.
- D. PART MARKING: PARTS SHALL BE PERMANENTLY AND LEGIBLY MARKED, IN ACCORDANCE WITH ND 1002019, WITH THE MANUFACTURER'S NAME AND/OR SYMBOL, LOT CODE OR NUMBER, TERMINAL IDENTIFICATION AND NASA PART NUMBER (DRAWING NUMBER AND REVISION LETTER).
- E. PREPARATION FOR DELIVERY SHALL BE IN ACCORDANCE WITH ND 1002215, CLASS I, CODE 1.
 - (1) MARKING OF SHIPPING CONTAINERS SHALL CONFORM TO THE MARKING OF UNIT AND INTERMEDIATE PACKAGES AND THE METHODS OF MARKING AS SPECIFIED IN ND 1002215.

2. ACCEPTANCE AND INSPECTION (100%)

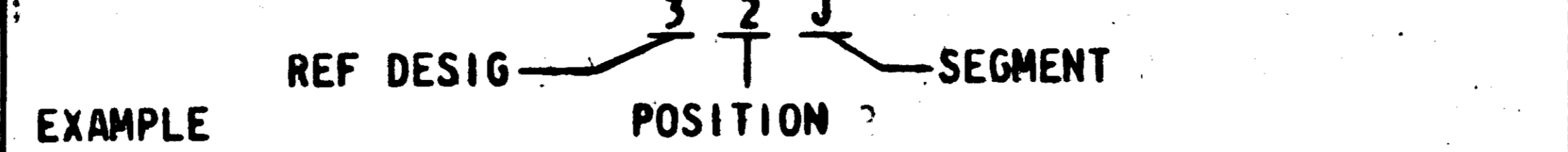
- A. MECHANICAL PROPERTIES:
 - (1) DIMENSION: SHALL BE AS SHOWN.
 - (2) SURFACE ROUGHNESS: $125 \sqrt{\text{UNLESS OTHERWISE SPECIFIED.}}$
 - (3) LEGENDS: TO BE .125 HIGH BLACK CHARACTERS (FUTURA DEMIBOLD) PER ND 1002019 & ND 1002122.
- B. ELECTRICAL CHARACTERISTICS:
 - (1) LIGHT INTENSITY: 15 ± 3 FOOT-LAMBERTS MINIMUM INITIALLY WHEN EXCITED WITH 250 ± 10 VRMS, 800 ± 5 CPS.
 - (2) POWER FACTOR: 0.35 MAXIMUM WHEN EXCITED PER 2.B.(1).
 - (3) TOTAL CURRENT (ALL AREA ENERGIZED PER 2.B.(1)): 11.0 MA MAXIMUM.

3. DESIGN REQUIREMENTS:

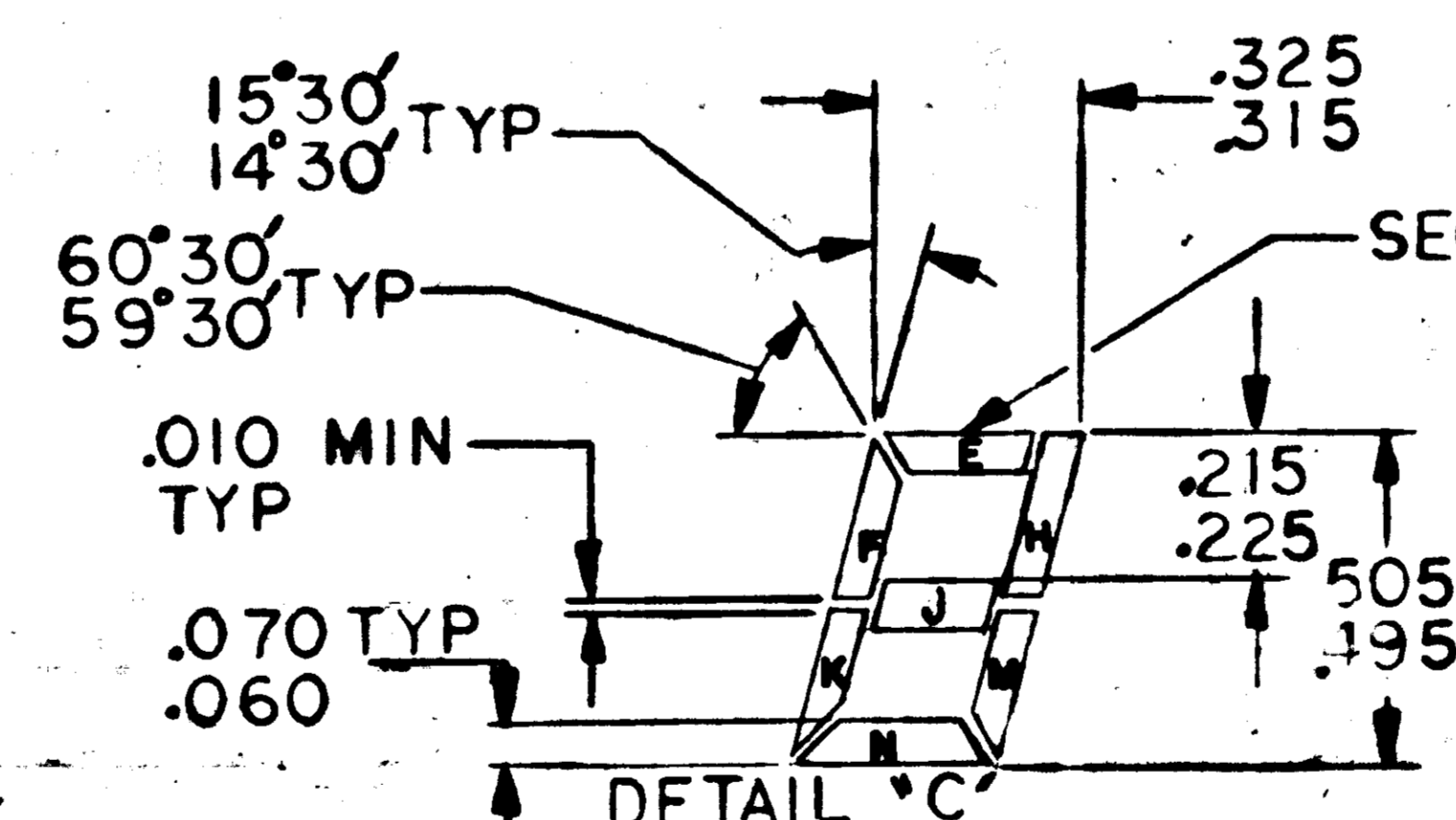
- A. OPERATING LIFE: 2000 HOURS MINIMUM WITH A LOSS OF NOT MORE THAN 60% OF ORIGINAL LIGHT INTENSITY WHEN EXCITED PER 2.B.(1) AT 25°C.
- B. STORAGE LIFE: 1 YR MINIMUM WITHOUT LOSS OF ELECTRICAL PERFORMANCE AT 0°C TO +94°C.
- C. OPERATING TEMPERATURE RANGE: -55°C TO +94°C.
- D. ELECTROLUMINESCENT DISPLAYS SHALL BE HERMETICALLY SEALED.
- E. MATERIAL: ALUMINUM ALLOY.
- F. RATINGS:
 - (1) LIGHT OUTPUT WAVELENGTH: 5100 ANGSTROMS (NOMINAL).
 - (2) PEAK CONTINUOUS VOLTAGE: 420V MAX.
 - (3) PEAK TRANSIENT VOLTAGE: 500V MAX. SINE PULSE NOT TO EXCEED ONE-HALF CYCLE AT THE OPERATING FREQUENCY.
- G. FINISH:
 - (1) CHROMATE TREAT PER MIL-C-5541 (AL CASE)
 - (2) PAINT SURFACES MARKED "A" BLACK EPOXY ENAMEL MIL-P-27316.
- H. TERMINALS AND INSULATORS: SHALL MEET THE REQUIREMENTS OF ND 1002136.

PROCURE ONLY FROM APPROVED SOURCES LISTED IN ND 1002034 FOR THIS DRAWING.

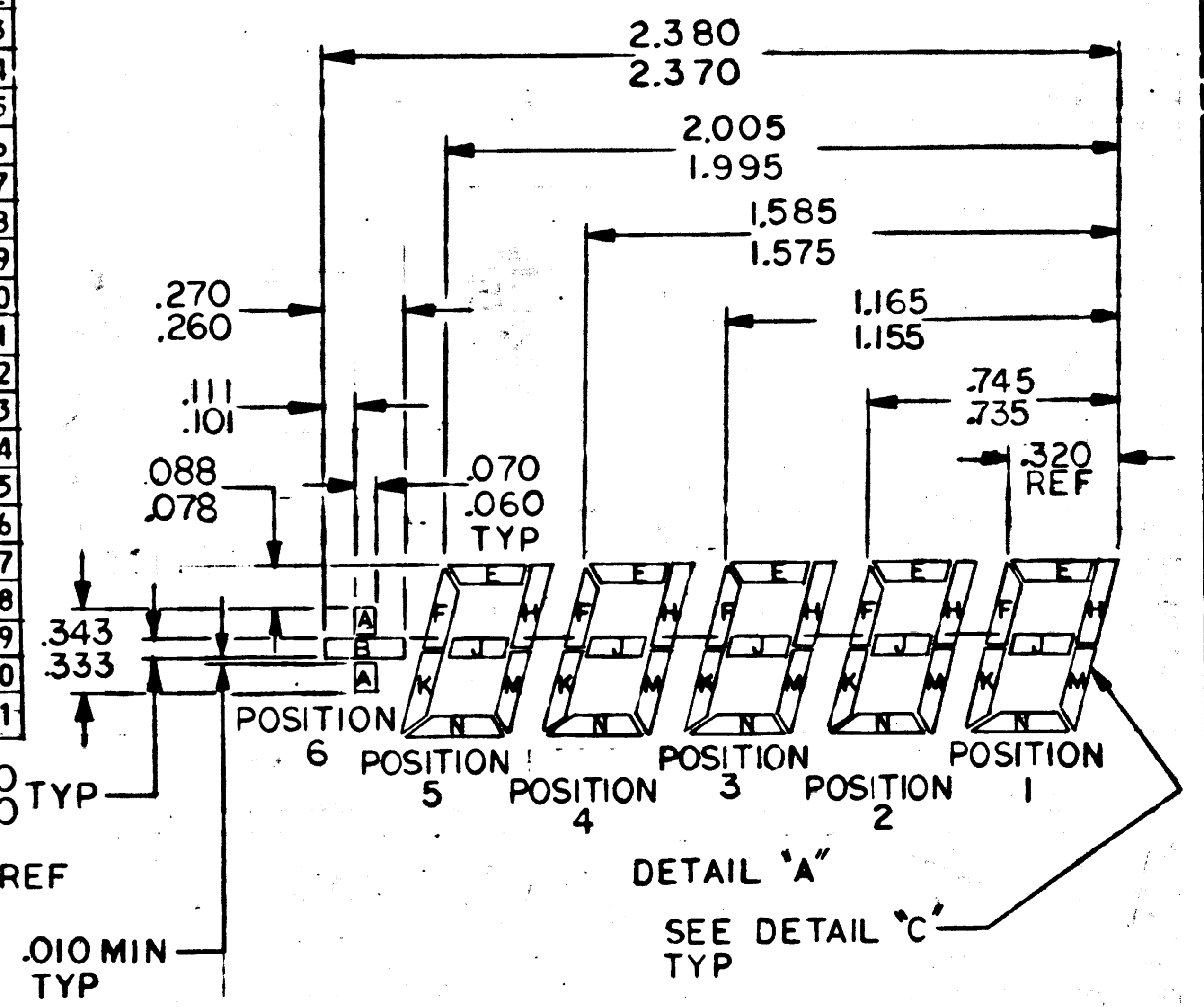
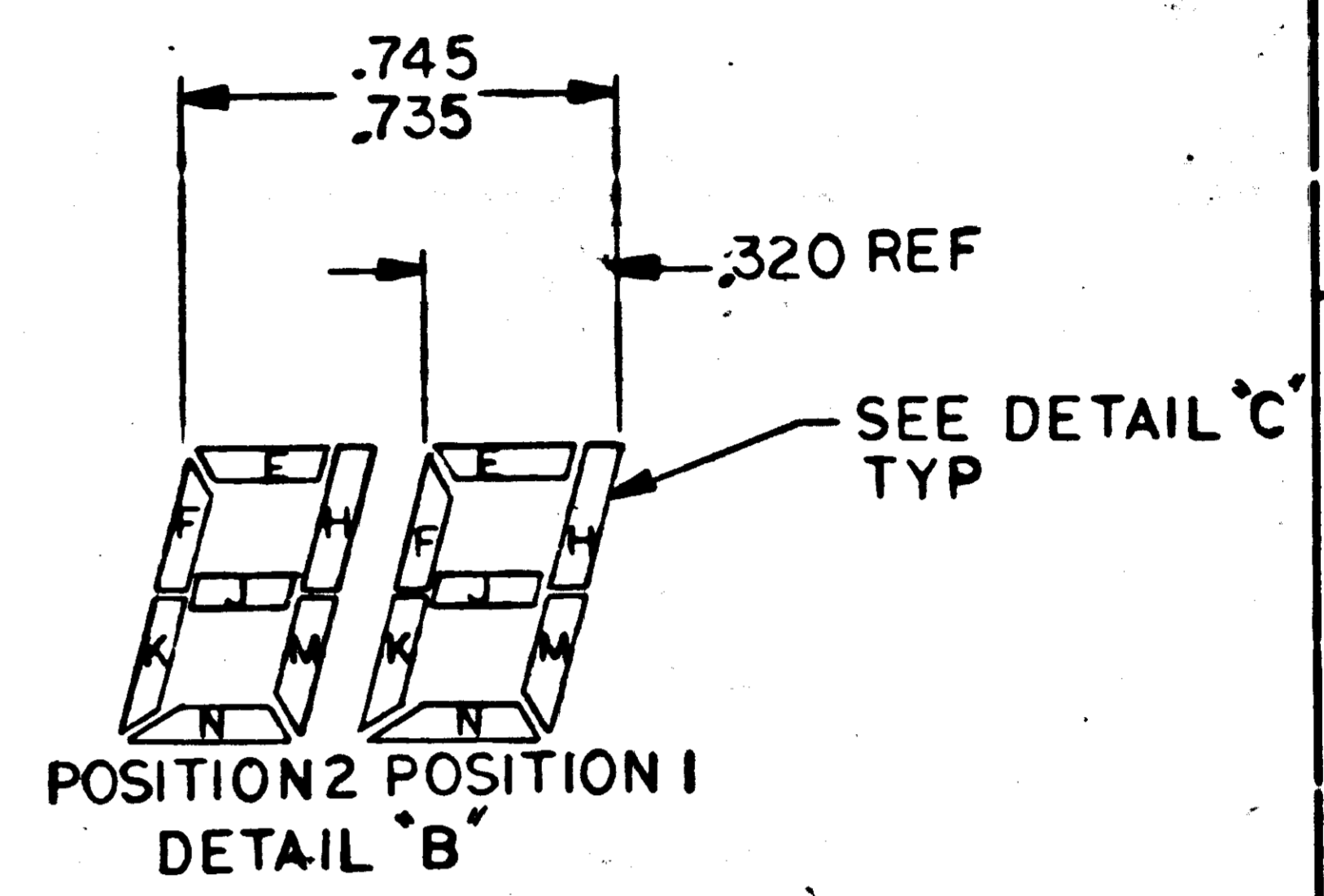
SEGMENT TO CONNECTOR PIN CHART



SEGMENT	PIN NO.	SEGMENT	PIN NO.	SEGMENT	PIN NO.	SEGMENT	PIN NO.
31E	1	21E	38	11E	75	41E	112
31H	2	21H	39	11H	76	41H	113
31M	3	21M	40	11M	77	41M	114
31N	4	21N	41	11N	78	41N	115
31J	5	21J	42	11J	79	41J	116
31K	6	21K	43	11K	80	41K	117
31F	7	21F	44	11F	81	41F	118
32E	8	22E	45	12E	82	42E	119
32H	9	22H	46	12H	83	42H	120
32M	10	22M	47	12M	84	42M	121
32N	11	22N	48	12N	85	42N	122
32J	12	22J	49	12J	86	42J	123
32K	13	22K	50	12K	87	42K	124
32F	14	22F	51	12F	88	42F	125
33E	15	23E	52	13E	89	51E	126
33H	16	23H	53	13H	90	51H	127
33M	17	23M	54	13M	91	51M	128
33N	18	23N	55	13N	92	51N	129
33J	19	23J	56	13J	93	51J	130
33K	20	23K	57	13K	94	51K	131
33F	21	23F	58	13F	95	51F	132
34E	22	24E	59	14E	96	52E	133
34H	23	24H	60	14H	97	52H	134
34M	24	24M	61	14M	98	52M	135
34N	25	24N	62	14N	99	52N	136
34J	26	24J	63	14J	100	52J	137
34K	27	24K	64	14K	101	52K	138
34F	28	24F	65	14F	102	52F	139
35E	29	25E	66	15E	103	71E	140
35H	30	25H	67	15H	104	71H	141
35M	31	25M	68	15M	105	71M	142
35N	32	25N	69	15N	106	71N	143
35J	33	25J	70	15J	107	71J	144
35K	34	25K	71	15K	108	71K	145
35F	35	25F	72	15F	109	71F	146
36A	36	26A	73	16A	110	72E	147
36B	37	26B	74	16B	111	72H	148
61A	154	250V 800	157	72K	152	72M	149
GRD	155	CASE GRD	158	72F	153	72N	150
GRD	156	SPARE	159	SPARE	160	72J	151



REVISIONS /						
SYM	ZONE	DESCRIPTION	DR	CHK	DATE	APPROVED
-		INITIAL RELEASE CLASS A 70A TDR 1972	24			



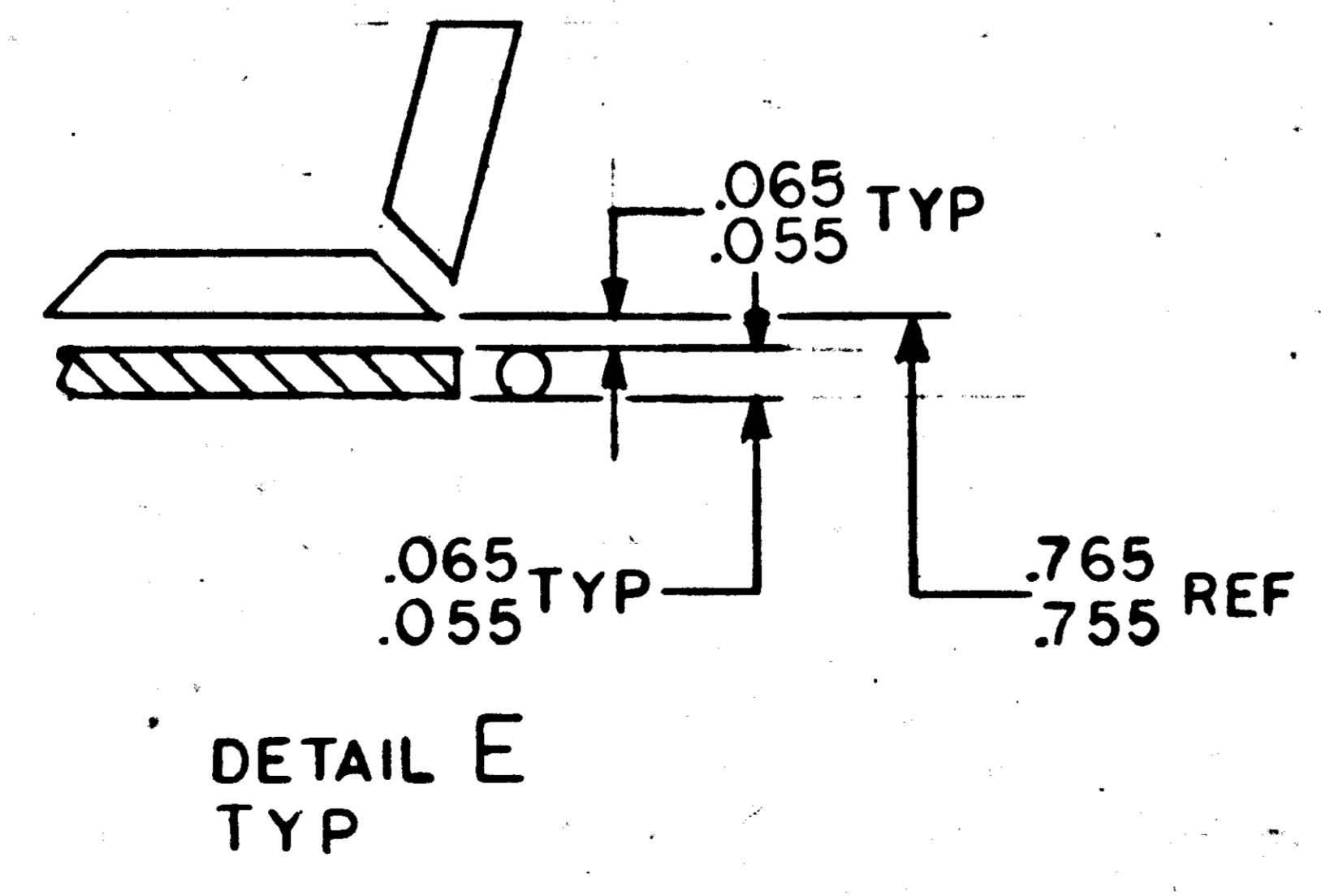
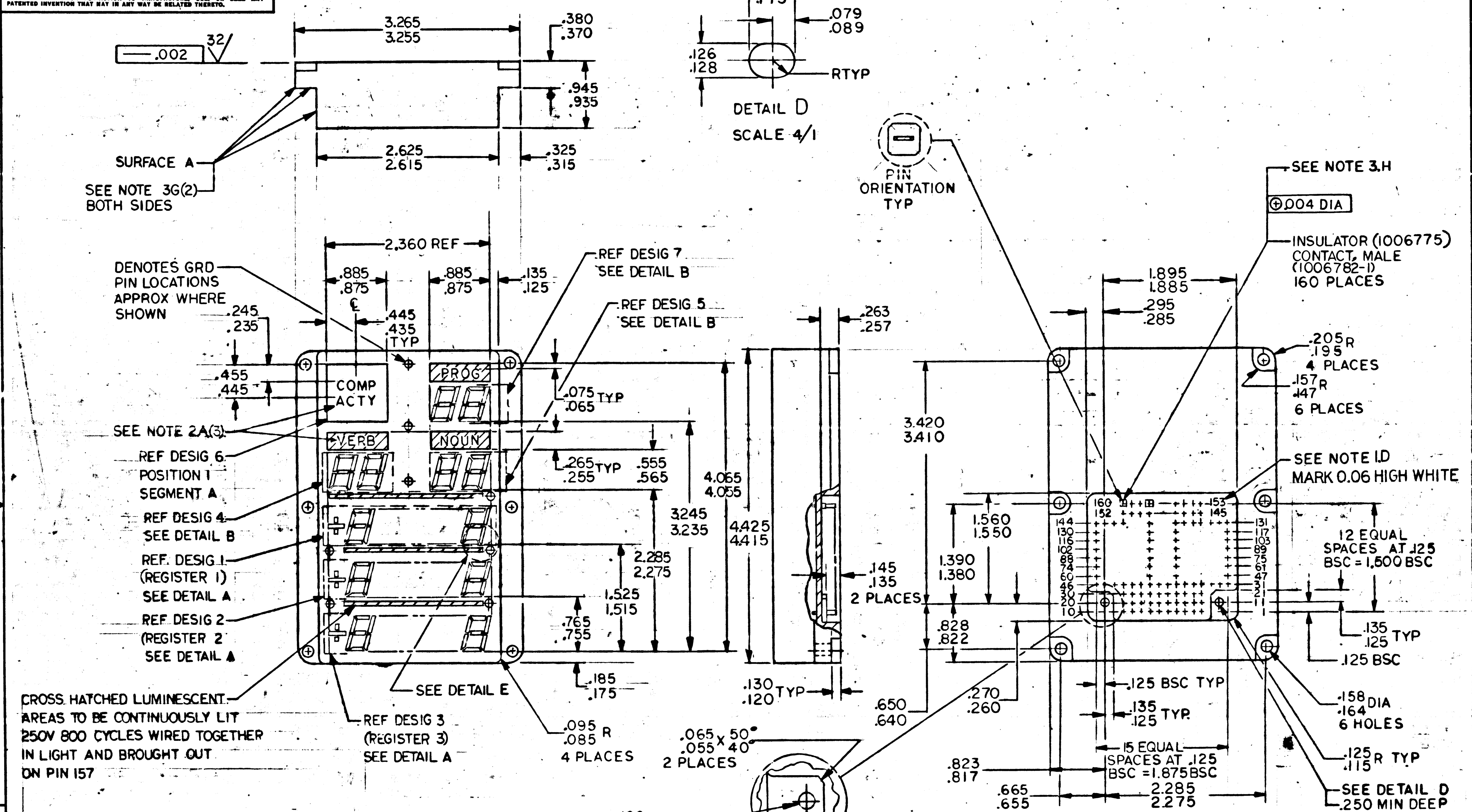
UNLESS OTHERWISE SPECIFIED DIMENSIONS ARE IN INCHES CAPACITOR VALUES ARE IN μ F RESISTOR VALUES ARE IN OHMS TOLERANCES ON FRACTIONS DECIMALS ANGLES \pm \pm \pm DO NOT SCALE THIS DRAWING	
MATERIAL	
SEE NOTE	
NEXT ASSY	USED ON
APPLICATION	

QTY REQD	PART OR IDENTIFYING NO.	MATERIAL OR NOTES	NOMENCLATURE OR DESCRIPTION	FIND NO.
LIST OF MATERIALS				
MIT INSTRUMENTATION LAB CAMBRIDGE, MASS.		MANNED SPACECRAFT CENTER HOUSTON, TEXAS		
DRAWN <i>P. Hannon</i> 2/29/65		INDICATOR, DIGITAL, ELECTROLUMINESCENT		
CHECKED <i>J. Hannon</i> 3/1/65				
APPROVED <i>Eden Hall</i> 2/29/65		SPECIFICATION CONTROL DRAWING		
APPROVED MIT <i>W. Hannon</i> 3/1/65	CODE IDENT NO.	SIZE	DRAWING NO.	
APPROVED MSC <i>J. Hannon</i> 4/4/65	80230	C	1006315	
DATE	SCALE NONE	SHEET 1		OF 2

NOTICE - WHEN GOVERNMENT DRAWINGS, SPECIFICATIONS, OR OTHER DATA ARE USED FOR ANY PURPOSE OTHER THAN IN CONNECTION WITH A DEFINITELY RELATED GOVERNMENT PROCUREMENT OPERATION, THE UNITED STATES GOVERNMENT THEREBY INCURS NO RESPONSIBILITY FOR ANY OMISSION, WHATSOEVER, AND THE FACT THAT THE GOVERNMENT MAY HAVE FORMULATED, FURNISHED, OR IN ANY WAY SUPPLIED THE SAID DRAWINGS, SPECIFICATIONS OR OTHER DATA IS NOT TO BE REGARDED BY IMPLICATION OR OTHERWISE AS IN ANY MANNER LICENSING THE HOLDER OR ANY OTHER PERSON OR CORPORATION, OR CONVEYING ANY RIGHTS OR PERMISSION TO MANUFACTURE, USE, OR SELL ANY PATENTED INVENTION THAT MAY IN ANY WAY BE RELATED THERETO.

SI29001

REVISIONS						
SYM	ZONE	DESCRIPTION	DR	CHK	DATE	APPROVED
-		INITIAL RELEASE CLASS A Per TDAR 1724				



QTY REQD	PART OR IDENTIFYING NO.	MATERIAL OR NOTES	NOMENCLATURE OR DESCRIPTION	FIND NO.
LIST OF MATERIALS				
		MIT INSTRUMENTATION LAB CAMBRIDGE, MASS.	MANNED SPACECRAFT CENTER HOUSTON, TEXAS	
		DRAWN <i>D. Wood</i> 3/15/65	INDICATOR, DIGITAL, ELECTROLUMINESCENT	
		CHECKED <i>W. Young</i> 3/15/65	SPECIFICATION CONTROL DRAWING	
		APPROVED <i>Ed. Hall</i> 3/15/65	CODE IDENT NO. SIZE	DRAWING NO.
		APPROVED MIT <i>W. Kuyper</i> 2/16/65	80230 C	1006315
		APPROVED MSC <i>W. Michael</i> 6/14/65	SCALE NONE	SHEET 2 OF 2

UNLESS OTHERWISE SPECIFIED DIMENSIONS ARE IN INCHES CAPACITOR VALUES ARE IN μF RESISTOR VALUES ARE IN OHMS TOLERANCES ON FRACTIONS DECIMALS ANGLES ± ± ± DO NOT SCALE THIS DRAWING MATERIAL SEE NOTE

NEXT ASSY	USED ON	APPLICATION

4

3

2

1