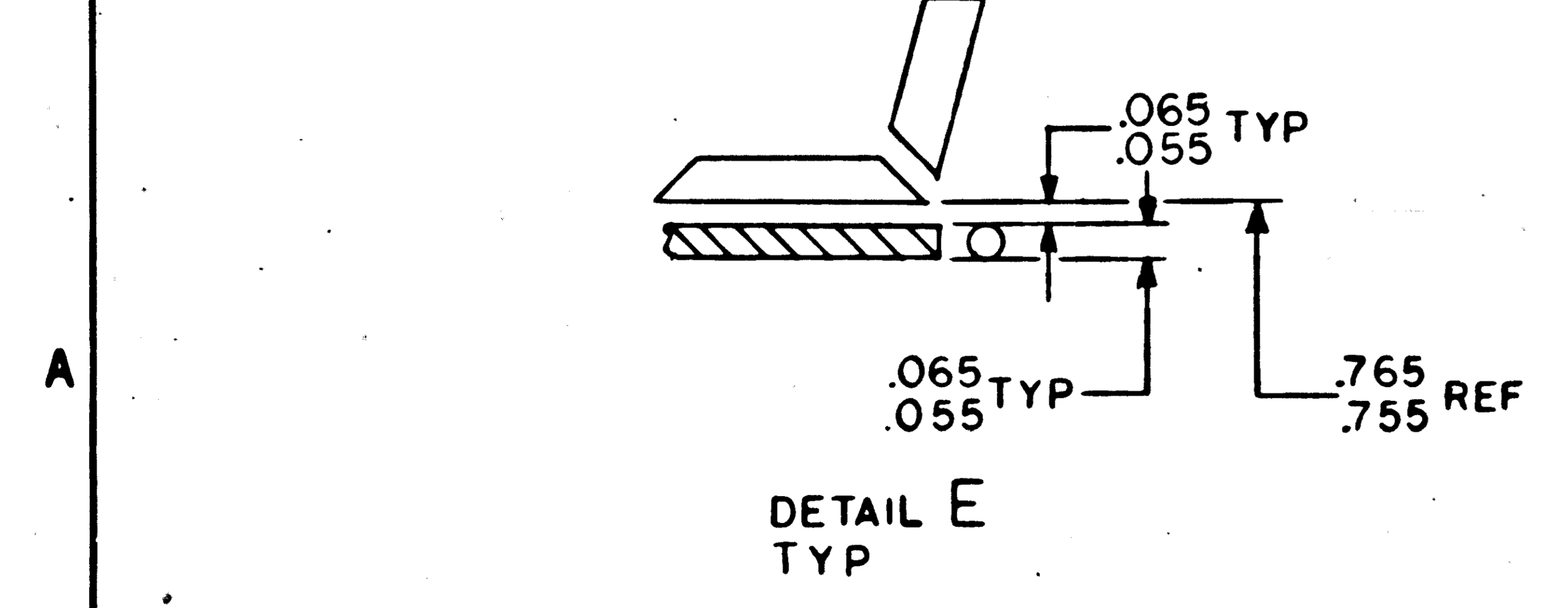
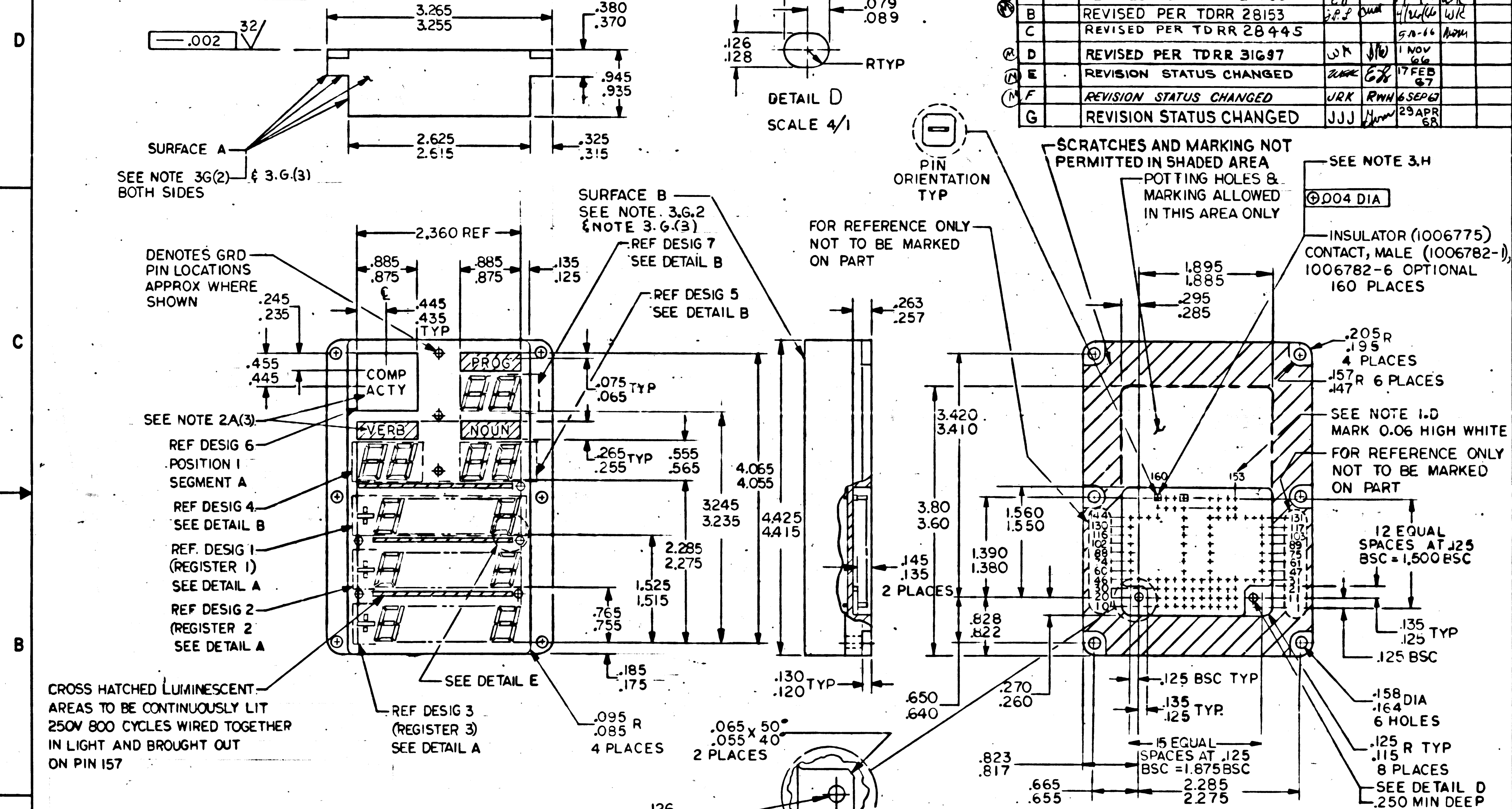




NOTICE - WHEN GOVERNMENT DRAWINGS, SPECIFICATIONS, OR OTHER DATA ARE USED FOR ANY PURPOSE OTHER THAN IN CONNECTION WITH A DEFINITELY RELATED GOVERNMENT PROCUREMENT OPERATION, THE UNITED STATES GOVERNMENT THEREBY INCURS NO RESPONSIBILITY FOR ANY OBLIGATION WHATSOEVER, AND THE FACT THAT THE GOVERNMENT MAY HAVE FORMULATED, FURNISHED, OR IN ANY WAY SUPPLIED THE SAID DRAWINGS, SPECIFICATIONS, OR OTHER DATA IS NOT TO BE REGARDED BY IMPLICATION OR OTHERWISE AS IN ANY MANNER LICENSING THE HOLDER OR ANY OTHER PERSON OR CORPORATION, OR CONFERRING ANY RIGHTS OR PERMISSION TO MANUFACTURE, USE, OR SELL ANY PATENTED INVENTION THAT MAY IN ANY WAY BE RELATED THERETO.

9 9139001

REVISIONS						
SYM	ZONE	DESCRIPTION	DR	CHK	DATE	APPROVED
-		INITIAL RELEASE CLASS H PER TDRR 19724				
A		REVISED PER TDRR 24793	CDJ		4/15/65	WR
B		REVISED PER TDRR 28153	J.P.S.	Qua	4/12/66	WR
C		REVISED PER TDRR 28445			5-10-66	WRM
D		REVISED PER TDRR 31697	WR	J/W	1 NOV 66	
E		REVISION STATUS CHANGED	WRM	EX	17 FEB 67	
F		REVISION STATUS CHANGED	JRK	RWH	6 SEP 67	
G		REVISION STATUS CHANGED	JJJ	H	29 APR 68	



QTY REQD	PART OR IDENTIFYING NO.	MATERIAL OR NOTES	NOMENCLATURE OR DESCRIPTION	FIND NO.

UNLESS OTHERWISE SPECIFIED DIMENSIONS ARE IN INCHES CAPACITOR VALUES ARE IN  $\mu$ F RESISTOR VALUES ARE IN OHMS TOLERANCES ON FRACTIONS DECIMALS ANGLES  $\pm$   $\pm$   $\pm$  DO NOT SCALE THIS DRAWING MATERIAL SEE NOTE

LIST OF MATERIALS				
MIT INSTRUMENTATION LAB CAMBRIDGE, MASS.		MANNED SPACECRAFT CENTER HOUSTON, TEXAS		
INDICATOR, DIGITAL, ELECTROLUMINESCENT				
SPECIFICATION CONTROL DRAWING				
APPROVED MIT W. K. ... DATE 2/1/65	APPROVED MSC M. ... DATE 6/1/65	CODE IDENT NO. 80230	SIZE C	DRAWING NO. 1006315
NEXT ASSY		USED ON		APPLICATION

NOTE APPLICATIONS

DASH NO.	APPLICABLE NOTES	REFLECTION FROM DISPLAY SURFACE (MAX.)	LIGHT INTENSITY (MIN.)	BACKGROUND COLOR	CONTRAST RATIO (MIN.)
000	1 THRU 3 EXCEPT 3.G.(3)	--	15 FOOT LAMBERTS INITIALLY, 12 FOOT LAMBERTS AFTER BURN-IN	--	--
001	1 THRU 3	--	15 FOOT LAMBERTS INITIALLY, 12 FOOT LAMBERTS AFTER BURN-IN	--	--
002	1 THRU 3	20% MAX.	7 FOOT LAMBERTS AFTER BURN-IN	BLACK	0.11 IN A 300 FOOT CANDLE AMBIENT

REVISIONS					
ZONE	LTR	DESCRIPTION	CHG. NO.	DATE	APPD
D		THIS SHEET ADDED PER TDRR 31697		1 NOV 66	WA OPW
E		REVISION STATUS CHANGED		17 FEB 67	JKK EX
F		REVISED PER TDRR 34495		6 SEP 67	JRK RWH
G		REVISION STATUS CHANGED		29 APR 68	JJJ JHM

D  
C  
B  
A

D  
C  
B  
A

1006315

UNLESS OTHERWISE SPECIFIED DIMENSIONS ARE IN INCHES TOLERANCES ON		MIT INSTRUMENTATION LAB CAMBRIDGE, MASS DWS 30 CONTRACT		D THIS SHEET ADDED MANNED SPACECRAFT CENTER HOUSTON, TEXAS	
2 PLACE DECIMALS	3 PLACE DECIMALS	ANGLES	DRAWN <u>D. MOUHEY</u> DATE <u>21 MAR 65</u>	INDICATOR, DIGITAL, ELECTROLUMINESCENT SPECIFICATION CONTROL DRAWING	
+	+	+	CHECKED <u>G. WAL KOURER</u> 31 MAR 65		
DO NOT SCALE THIS DRAWING			APPROVAL <u>E. HALL</u> 21 MAR 65	SIZE CODE IDENT NO. <b>C 80230 1006315</b>	
MATERIAL			CONTRACT		
NEXT ASSY USED ON			MIT APPROVAL <u>W. KEYFER</u> 3 JUN 65	SCALE SHEET 3 OF 3	
APPLICATION			MIT APPROVAL <u>W. MIRLAEN</u> 6 JUN 65		