

NOTICE - WHEN GOVERNMENT DRAWINGS, SPECIFICATIONS, OR OTHER DATA ARE USED FOR ANY PURPOSE OTHER THAN IN CONNECTION WITH A DEFINITELY RELATED GOVERNMENT PROCUREMENT OPERATION, THE UNITED STATES GOVERNMENT THEREBY INCURS NO RESPONSIBILITY FOR ANY OR ALL INFORMATION, WHETHER OR NOT THE FACT THAT THE GOVERNMENT HAS FORMULATED, FURNISHED, OR IN ANY WAY SUPPLIED THE SAID DRAWINGS, SPECIFICATIONS OR OTHER DATA IS NOT TO BE REGARDED BY IMPLICATION OR OTHERWISE AS IN ANY MANNER LICENSING THE HOLDER OR ANY OTHER PERSON OR CORPORATION, OR CONFESSING ANY RIGHTS OR PERMISSION TO MANUFACTURE, USE, OR SELL ANY PATENTED INVENTION THAT MAY IN ANY WAY BE RELATED THERETO.

82E9228

REVISIONS						
SYM	ZONE	DESCRIPTION	DR	CHK	DATE	APPROVED
-		INITIAL RELEASE CLASS A PER TDRR 19120				6 Apr 65 WK!

REQUIREMENTS:

1. GENERAL:

- A. INTERPRET DRAWING IN ACCORDANCE WITH THE STANDARDS PRESCRIBED BY MIL-D-70327.
- B. UNITS SHALL CONFORM TO THE REQUIREMENTS OF MIL-T-27, GRADE 5, CLASS S EXCEPT AS, AND IN ADDITION TO THE REQUIREMENTS, SPECIFIED HEREIN.
- C. SUPPLIER SHALL CONFORM TO THE QUALITY ASSURANCE PROVISIONS CONTAINED IN ND 1015404, CLASS 2.
- D. UNITS SHALL BE CAPABLE OF MEETING THE QUALIFICATION REQUIREMENTS OF ND 1002047.
- E. PART MARKING: UNITS SHALL BE PERMANENTLY AND LEGIBLY MARKED, IN ACCORDANCE WITH ND 1002019, WITH THE MANUFACTURER'S NAME AND/OR SYMBOL, INDUCTANCE VALUE, DC RESISTANCE, LOT CODE, SERIAL NUMBER, AND NASA PART NUMBER (DRAWING NUMBER AND REVISION LETTER).
- F. PREPARATION FOR DELIVERY SHALL BE IN ACCORDANCE WITH ND 1002215, CLASS I, CODE 1.
 - (1) MARKING OF SHIPPING CONTAINERS SHALL CONFORM TO THE MARKING OF UNIT AND INTERMEDIATE PACKAGES AND THE METHODS OF MARKING AS SPECIFIED IN ND 1002215.

2. ACCEPTANCE AND INSPECTION (100% UNLESS OTHERWISE SPECIFIED):

- A. MECHANICAL PROPERTIES:
 - (1) DIMENSIONS: AS DELINEATED HEREIN.
 - (2) MARKING: AS SPECIFIED FOR PART MARKING.
- B. ELECTRICAL CHARACTERISTICS:
 - (1) INDUCTANCE: 80 MICROHENRIES \pm 15% AT 7.0 AMPERES DC \pm 10%. TEST FREQUENCY IS 50 KC \pm 1% AT 5 VRMS \pm 10%.
 - (2) DC RESISTANCE: 0.0220HMS MAXIMUM.
 - (3) DIELECTRIC WITHSTANDING VOLTAGE: 500 VRMS BETWEEN THE WINDING AND ANY SURFACE (RESTING ON A METAL PLATE) NOT HAVING LEADS.
 - (4) INSULATION RESISTANCE: 10,000 MEGOHMS MINIMUM AT 500 VDC. BETWEEN THE WINDING AND ANY SURFACE (RESTING ON A METAL PLATE) NOT HAVING LEADS.
- C. VENDOR SUPPLIED DATA: EACH SHIPMENT OF PARTS SHALL BE ACCOMPANIED BY THE FOLLOWING DOCUMENTATION.
 - (1) CERTIFICATE OF COMPLIANCE WITH ND 1015404, CLASS 2.
 - (2) CERTIFIED TEST DATA FOR BURN-IN REQUIREMENT (NOTE 4).

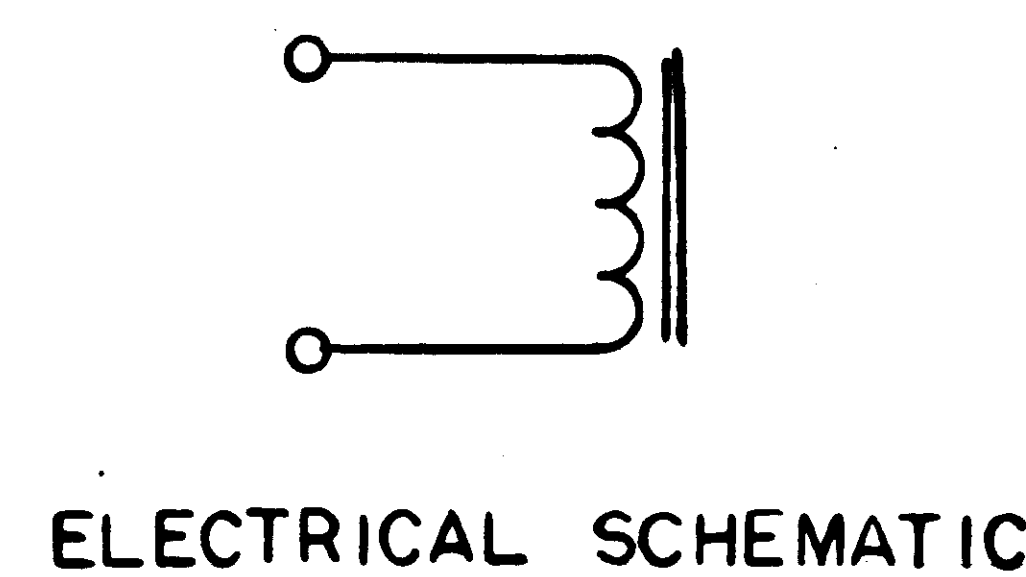
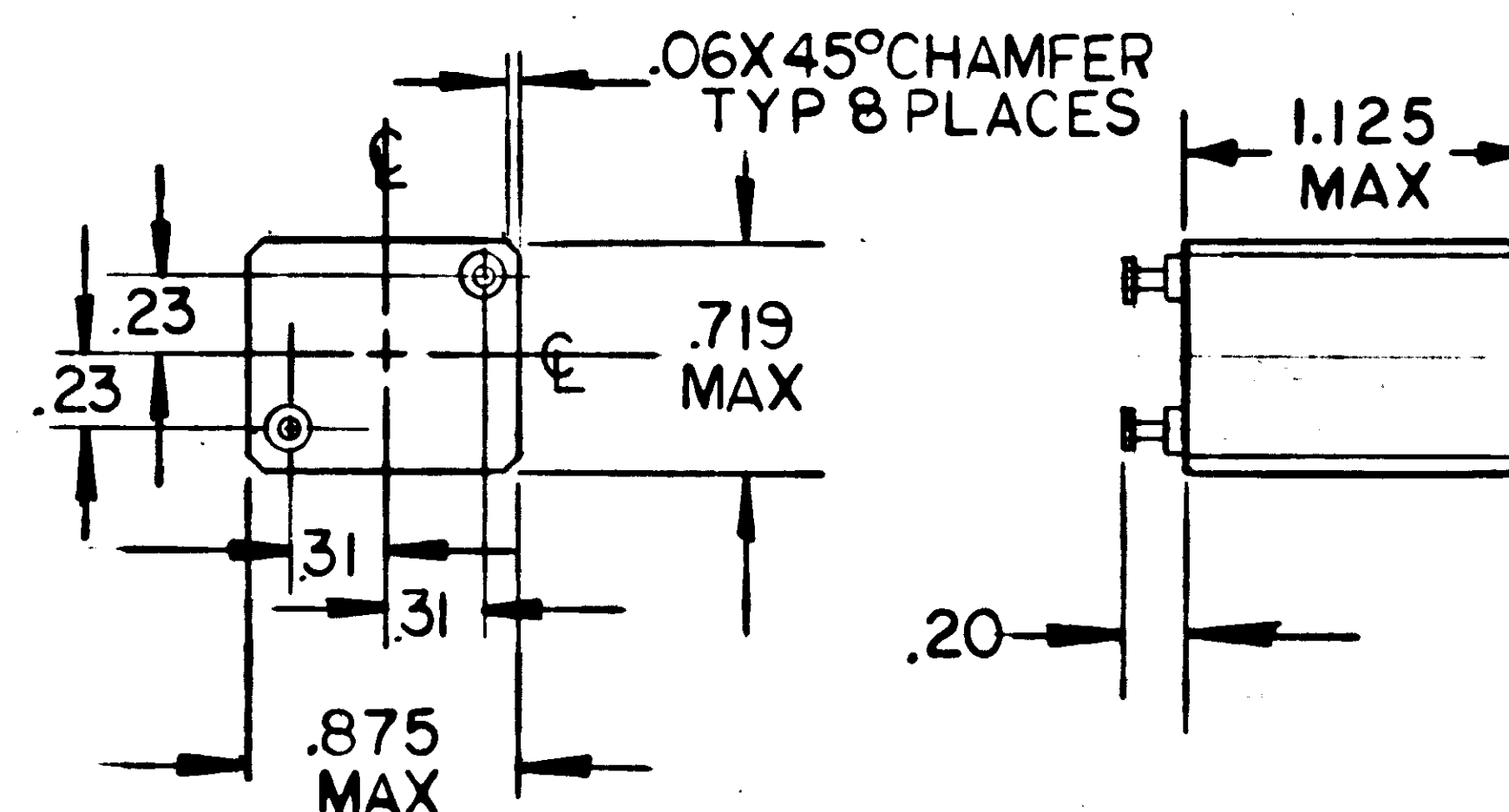
3. DESIGN:

CONSTRUCTION:

- (1) CASE: UNIT SHALL BE ENCAPSULATED WITH A MINIMUM POTTING COVERAGE OF 0.031 INCH OVER CORE AND WINDING.
- (2) LEAD MATERIAL: ANNEALED TINNED COPPER WIRE.
- (3) LEAD PULL: EACH LEAD SHALL BE CAPABLE OF WITHSTANDING (WITHOUT MECHANICAL DAMAGE OR LACK OF PERFORMANCE) A 4 POUND MINIMUM AXIAL PULL, APPLIED WITHOUT SHOCK.
- (4) INTERNAL WIRE: MAGNET WIRE SHALL BE 0.0028 DIA (NO. 41 AWG) MINIMUM.

4. SPECIAL CONDITIONING: ALL UNITS SHALL BE BURNED IN BY THE SUPPLIER AND CERTIFIED TEST DATA SUPPLIED WITH EACH SHIPMENT.

- A. OPERATING CONDITIONS: OPERATE THE UNIT AT 85°C AMBIENT FOR 50 HOURS WITH 7.0 AMPERES DC FLOWING.
- B. MEASUREMENTS: INDUCTANCE AND DC RESISTANCE SHALL BE MEASURED (AND RECORDED) BEFORE AND WITHIN 4 HOURS AFTER BURN-IN AT (25°C) ROOM TEMPERATURE.
- C. REJECTION: ANY UNIT THAT EXCEEDS TOLERANCE SPECIFIED HEREIN, OR CHANGES MORE THAN 5% BETWEEN INITIAL AND FINAL MEASUREMENTS, SHALL NOT BE SHIPPED.



PROCURE ONLY FROM APPROVED SOURCES LISTED IN ND 1002034 FOR THIS DRAWING.

MASTER

		UNLESS OTHERWISE SPECIFIED DIMENSIONS ARE IN INCHES CAPACITOR VALUES ARE IN μ F RESISTOR VALUES ARE IN OHMS TOLERANCES ON FRACTIONS DECIMALS ANGLES \pm XX \pm .01 \pm DO NOT SCALE THIS DRAWING
NEXT ASSY	USED ON	SEE NOTE
APPLICATION		

QTY REQD	PART OR IDENTIFYING NO.	MATERIAL OR NOTES	NOMENCLATURE OR DESCRIPTION	FIND NO.
LIST OF MATERIALS				
	MIT INSTRUMENTATION LAB CAMBRIDGE, MASS.		MANNED SPACECRAFT CENTER HOUSTON, TEXAS	
	DRAWN <i>C. Magg</i> 17 FEB 65		INDUCTOR, 80uh	
	CHECKED <i>J. W. ...</i> 17 FEB 65		SPECIFICATION CONTROL DRAWING	
	APPROVED <i>M. M. ...</i> 17 FEB 65			
	APPROVED <i>Edna C. Hall</i> 2 Apr 65			
APPROVED MIT	<i>W. R. ...</i>	CODE IDENT NO.	SIZE	DRAWING NO.
APPROVED MSC	<i>W. J. ...</i>		C	1006328
	DATE	SCALE NONE		SHEET OF