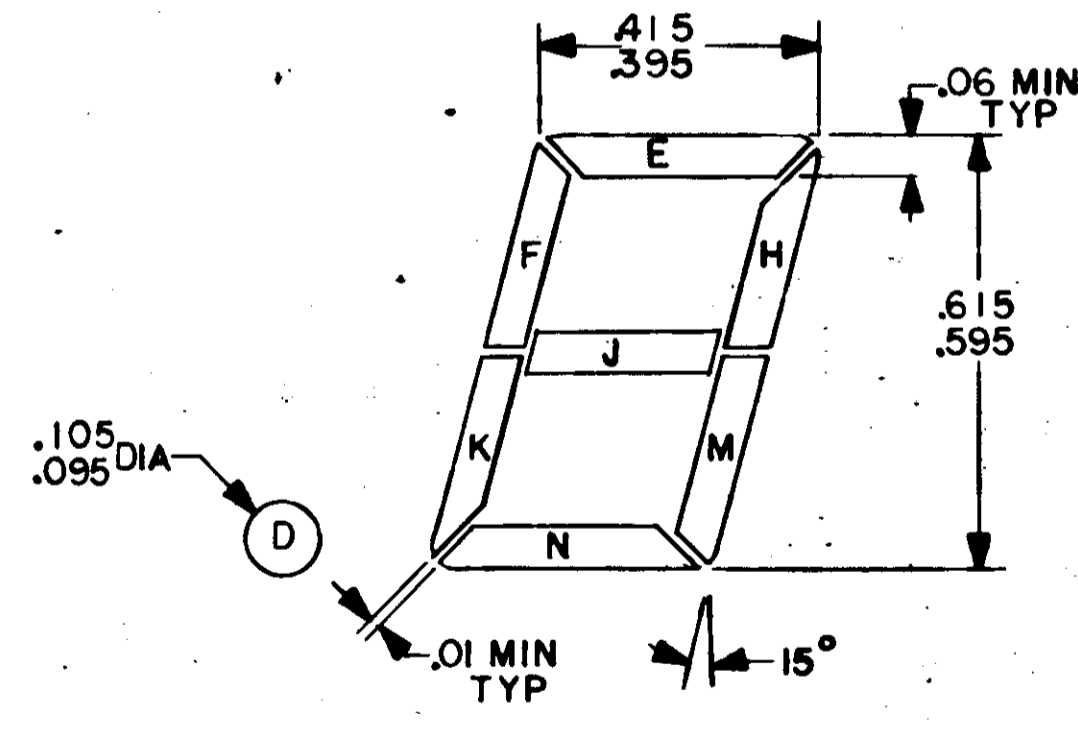
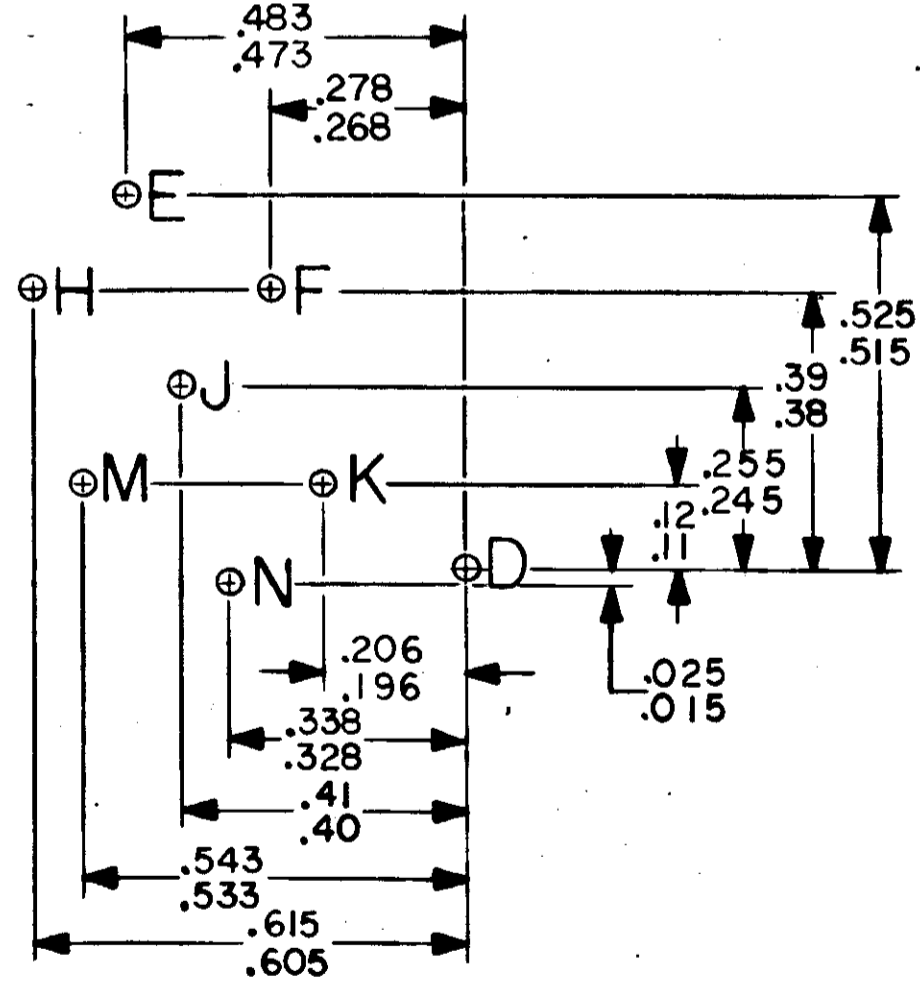
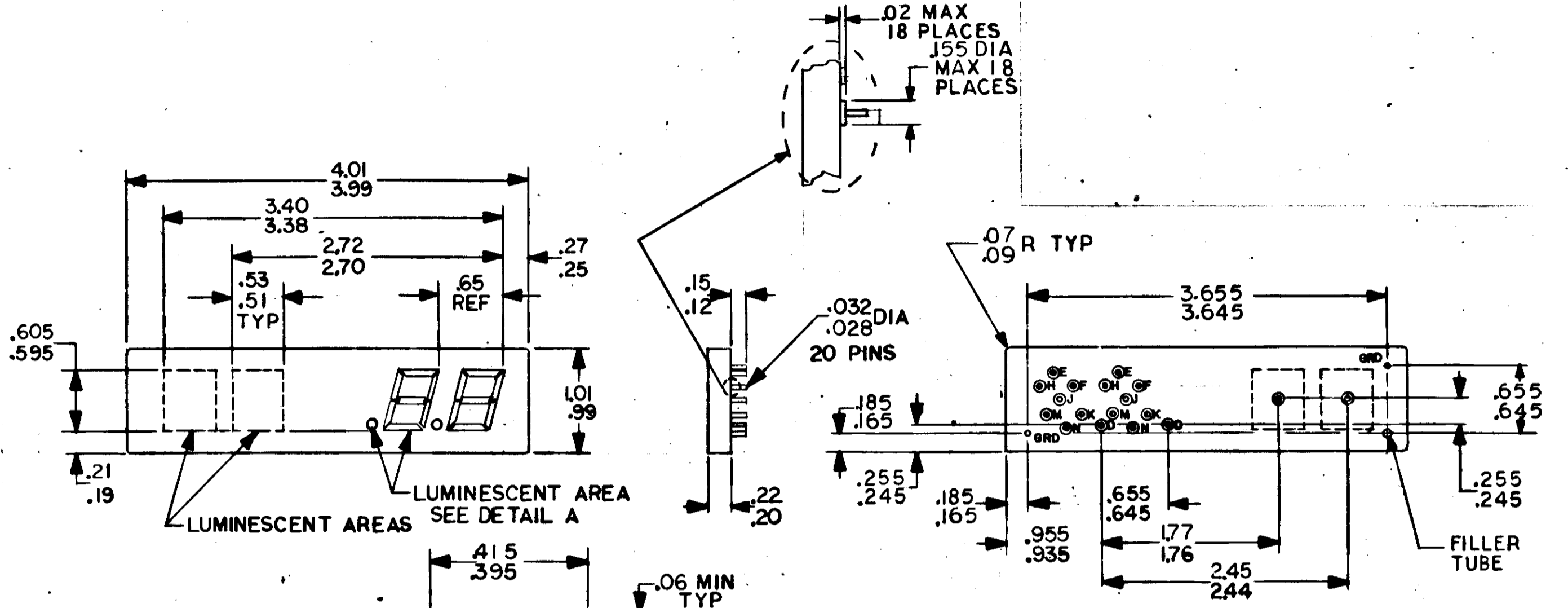


NOTICE - WHEN GOVERNMENT DRAWINGS, SPECIFICATIONS, OR OTHER DATA ARE USED FOR ANY PURPOSE OTHER THAN IN CONNECTION WITH A DEFINITELY RELATED GOVERNMENT PROCUREMENT OPERATION, THE UNITED STATES GOVERNMENT THEREBY INCURS NO RESPONSIBILITY FOR ANY OBLIGATION WHATSOEVER, AND THE FACT THAT THE GOVERNMENT MAY HAVE FORMULATED, FURNISHED, OR IN ANY WAY SUPPLIED THE SAID DRAWINGS, SPECIFICATIONS OR OTHER DATA IS NOT TO BE REGARDED BY IMPLICATION OR OTHERWISE AS IN ANY MANNER LICENSING THE HOLDER OR ANY OTHER PERSON OR CORPORATION, OR CONVEYING ANY RIGHTS OR PERMISSION TO MANUFACTURE, USE, OR SELL ANY PATENTED INVENTION THAT MAY IN ANY WAY BE RELATED THERETO.

1006744

REVISIONS 08550 5-19-64

SYM	DESCRIPTION	DATE	APPROVAL
A	REVISED PER TDRR 13441	10/2/64	[Signature]
B	REVISED AND UPGRADED TO CLASS A PER TDRR 15510	12/2/65	WLC
C	REVISED PER TDRR 18023		WLC
D	REVISED PER TDRR 19190	6-2-65	WLC
E	REVISED PER TDRR 22276	9/7/64	[Signature]



DETAIL A
2 PLACES

PIN CLUSTER
2 PLACES

MASTER

QTY REQD	PART OR IDENTIFYING NO.	NOMENCLATURE OR DESCRIPTION	FIND NO.
LIST OF MATERIALS			
MIT INSTRUMENTATION LAB CAMBRIDGE, MASS.		MANNED SPACECRAFT CENTER HOUSTON, TEXAS	
DRAWN <i>ST. On</i> DATE 3 FEB 64		INDICATOR, DIGITAL DISPLAY, ELECTROLUMINESCENT (PROGRAM)	
CHECKED <i>R. Sargent</i> 12/2/65			
APPROVAL <i>Eldon C. Hall</i> 15 May 64		SPECIFICATION CONTROL DRAWING	
NASA APPROVAL <i>[Signature]</i> 5/1/64		CODE IDENT NO. 80230	NASA DRAWING NO. 1006744
MIT APPROVAL <i>[Signature]</i> 5/19/64		SIZE C	SHEET 2 OF 2
APPLICATION		SCALE NONE	WT