

NOTICE - WHEN GOVERNMENT DRAWINGS, SPECIFICATIONS, OR OTHER DATA ARE USED FOR ANY PURPOSE OTHER THAN IN CONNECTION WITH A DEFINITELY RELATED GOVERNMENT PROCUREMENT OPERATION, THE UNITED STATES GOVERNMENT THEREBY INCURS NO RESPONSIBILITY FOR ANY OBLIGATION WHATSOEVER, AND THE FACT THAT THE GOVERNMENT MAY HAVE FORMULATED, FURNISHED, OR IN ANY WAY SUPPLIED THE SAID DRAWINGS, SPECIFICATIONS OR OTHER DATA IS NOT TO BE REGARDED BY IMPLICATION OR OTHERWISE AS IN ANY MANNER LICENSING THE HOLDER OR ANY OTHER PERSON OR CORPORATION, OR CONVEYING ANY RIGHTS, OR PERMISSION TO MANUFACTURE, USE, OR SELL ANY PATENTED INVENTION THAT MAY IN ANY WAY BE RELATED THERE TO.

| REVISIONS | | | |
|-----------|-----------------------------------|---------------|--------------------|
| SYM | DESCRIPTION | DATE | APPROVAL |
| A | ADDED PROCUREMENT NOTE 4 PER TDRR | 00433 2-10-63 | <i>[Signature]</i> |

FOR INFORMATION ONLY

CLASS B RELEASE TDR No. 00050 DATE 10-4-62

REFERENCE:
I.* DENOTES SPOOL DIMENSIONS

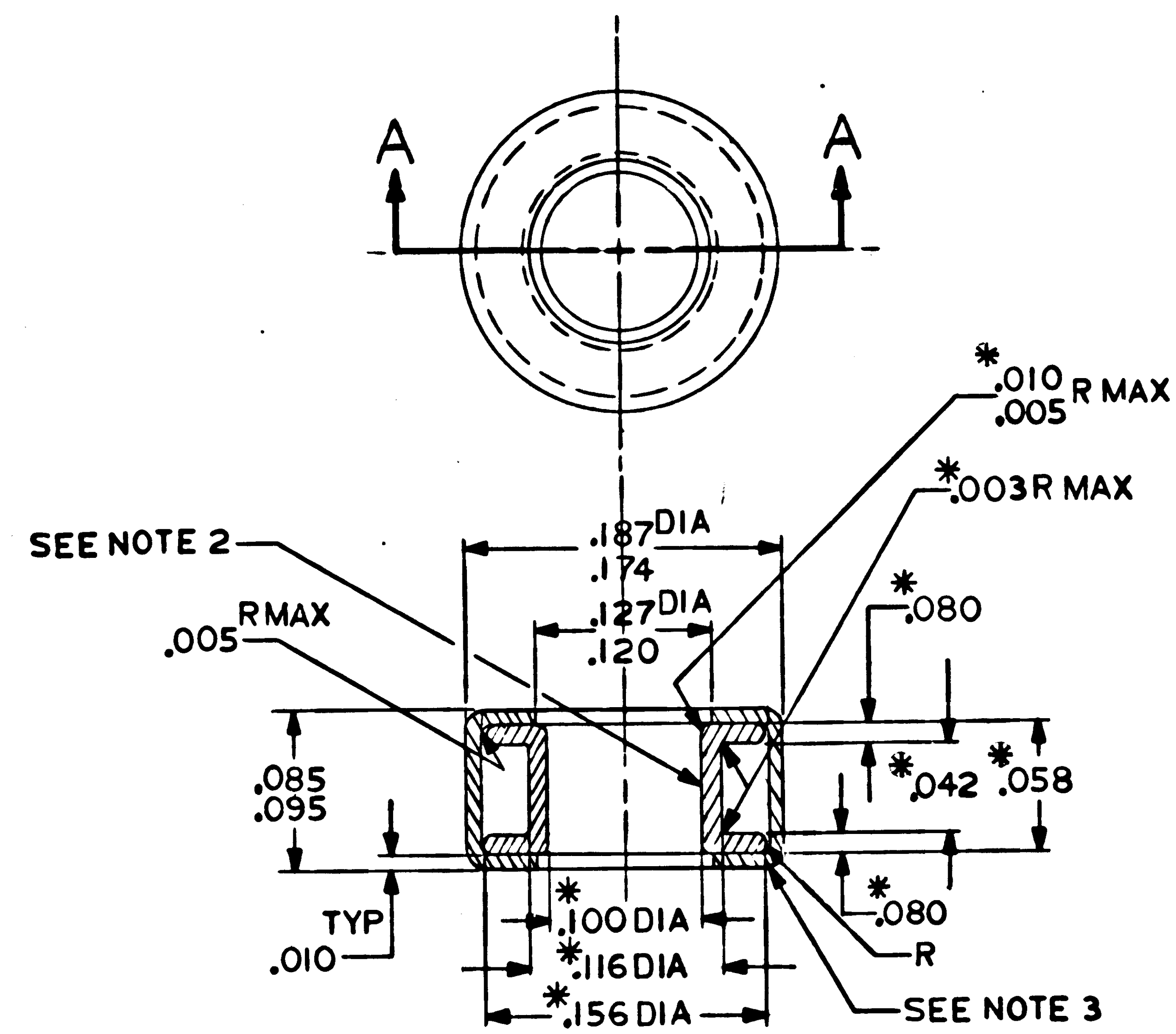
NOTES:

- FOR TEST SPECS SEE NASA DOCUMENT ND1002008
- MATERIAL: 303 SST PER QQ-S-763B-1 PART TO BE FREE FROM BURRS
- MATERIAL: NYLON PER MIL-P-20693 TYPE IV
- WAIVE AS REQUIRED ALL INFORMATION PRESENTED ON THIS DRAWING EXCEPT LEAD MATERIAL SPEC. & PHYSICAL DIMENSIONS.
 - UPON SPECIFIC INSTRUCTION BY (TD) TECHNICAL DIRECTIVE PROCURE THIS PART AS CHANGE LETTER A BY ORDERING TO VENDOR CATALOG NO. & SPECIFICATIONS. REFERENCE ND1002034.
 - DISREGARD THIS NOTE IN ITS ENTIRETY IF REFERENCE IS MADE TO THIS DRAWING BY OTHER THAN REVISION LETTER A.

NOMINAL CORE CHARACTERISTICS

| RAMP SLOPE | T _p u sec | T _s u sec | V _i mV | V _o mV |
|-----------------|-------------------------|-------------------------|----------------------|----------------------|
| 200mA u sec | 2.2 | 1.9 | 110 | — |
| 400mA u sec | 1.3 | 1.3 | 160 | — |
| 1000mA u sec | — | — | — | 8 |

PROCURE ONLY FROM APPROVED SOURCES LISTED ON ND1002034 FOR THIS DRAWING



MASTER

| QTY REQD | PART OR IDENTIFYING NO. | NOMENCLATURE OR DESCRIPTION | FIND NO. |
|---|-------------------------|--|------------------|
| LIST OF MATERIALS | | | |
| MIT INSTRUMENTATION LAB CAMBRIDGE, MASS. | | MANNED SPACECRAFT CENTER HOUSTON, TEXAS | |
| DRAWN <i>[Signature]</i> DATE 8-4-62 | | CORE, II MAXWELL | |
| CHECKED <i>[Signature]</i> 10-9-62 | | | |
| APPROVAL <i>[Signature]</i> | | SPECIFICATION CONTROL DRAWING | |
| APPROVAL <i>[Signature]</i> | | | |
| NASA APPROVAL <i>[Signature]</i> 10-4-62 | | CODE IDENT NO. | NASA DRAWING NO. |
| MIT APPROVAL <i>[Signature]</i> 10/4/62 | | SIZE C | 1006754 |
| APPLICATION | | SCALE NONE | SHEET 1 OF 1 |