

NOTICE - WHEN GOVERNMENT DRAWINGS, SPECIFICATIONS, OR OTHER DATA ARE USED FOR ANY PURPOSE OTHER THAN IN CONNECTION WITH A DEFINITELY RELATED GOVERNMENT OPERATION, THE UNITED STATES GOVERNMENT THEREBY INCURS NO RESPONSIBILITY NOR ANY OBLIGATION WHATSOEVER, AND THE FACT THAT THE GOVERNMENT MAY HAVE FORMULATED, FURNISHED, OR IN ANY WAY SUPPLIED THE SAID DRAWINGS, SPECIFICATIONS OR OTHER DATA IS NOT TO BE REGARDED BY IMPLICATION OR OTHERWISE AS IN ANY MANNER LICENSING THE HOLDER OR ANY OTHER PERSON OR CORPORATION, OR CONVEYING ANY RIGHTS OR PERMISSION TO MANUFACTURE, USE, OR SELL ANY PATENTED INVENTION THAT MAY IN ANY WAY BE RELATED THERETO.

B	1006754	REVISIONS			
		SYM	DESCRIPTION	DATE	APPROVAL
		A	ADDED PROCUREMENT NOTE 4 PER TDRR 00433	2-20-63	WR
B		REPLACED WITH CHANGE BY REV C PER TDRR 00513		WR	

FOR INFORMATION ONLY

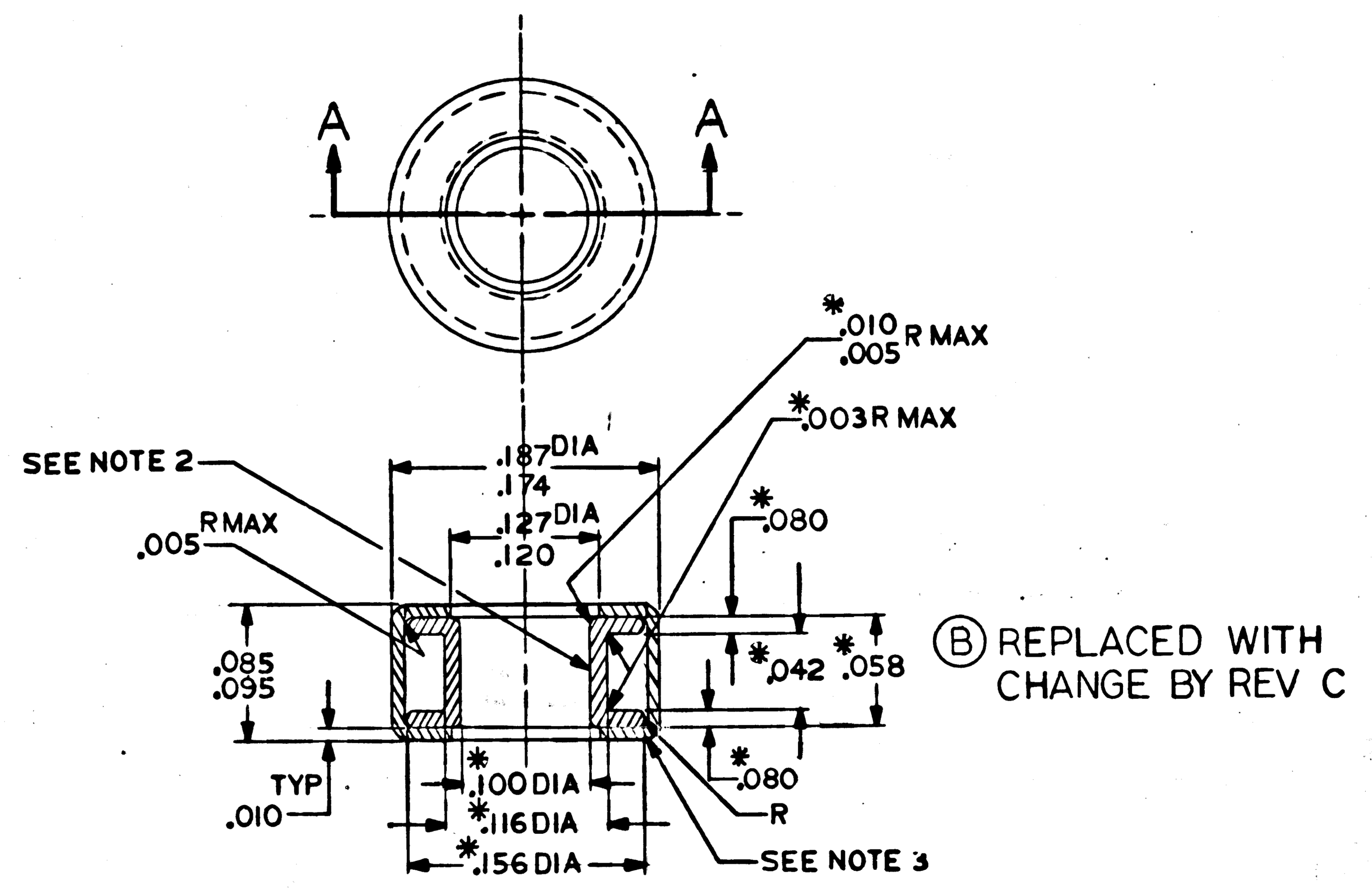
CLASS B RELEASE TDR No. 00050 DATE 10-4-62

REFERENCE:
I.* DENOTES SPOOL DIMENSIONS

- NOTES:
- FOR TEST SPECS SEE NASA DOCUMENT ND1002008
 - MATERIAL: 303 SST PER QQ-S-763B-1 PART TO BE FREE FROM BURRS
 - MATERIAL: NYLON PER MIL-P-20693 TYPE IV
 - A. WAIVE AS REQUIRED ALL INFORMATION PRESENTED ON THIS DRAWING EXCEPT LEAD MATERIAL SPEC. & PHYSICAL DIMENSIONS.
 - B. UPON SPECIFIC INSTRUCTION BY (TD) TECHNICAL DIRECTIVE PROCURE THIS PART AS CHANGE LETTER BY ORDERING TO VENDOR CATALOG NO. & SPECIFICATIONS. REFERENCE ND 1002034.
 - C. DISREGARD THIS NOTE IN ITS ENTIRETY IF REFERENCE IS MADE TO THIS DRAWING BY OTHER THAN REVISION LETTER A.

NOMINAL CORE CHARACTERISTICS

RAMP SLOPE	T _p u sec	T _s u sec	V _i mV	V _o mV
200mA / u sec	2-2	1.9	110	—
400mA / u sec	1.3	1.3	160	—
1000mA / u sec	—	—	—	8



PROCURE ONLY FROM APPROVED SOURCES LISTED ON ND1002034 FOR THIS DRAWING

QTY REQ	PART OR IDENTIFYING NO.	NOMENCLATURE OR DESCRIPTION	FIND NO.
LIST OF MATERIALS			
MIT INSTRUMENTATION LAB CAMBRIDGE, MASS.		MANNED SPACECRAFT CENTER HOUSTON, TEXAS	
DRAWN O'CONNELL DATE 8-4-62		CORE, II MAXWELL	
CHECKED <i>[Signature]</i> 10-9-62			
APPROVAL <i>[Signature]</i>		SPECIFICATION CONTROL DRAWING	
APPROVAL <i>[Signature]</i>			
NASA APPROVAL <i>[Signature]</i> 10-4-62		CODE IDENT NO.	NASA DRAWING NO.
MIT APPROVAL <i>[Signature]</i> 10/4/62		C	1006754
APPLICATION		SCALE NONE	WT
		SHEET	0