

NOTICE - WHEN GOVERNMENT DRAWINGS, SPECIFICATIONS, OR OTHER DATA ARE USED FOR ANY PURPOSE OTHER THAN IN CONNECTION WITH A DEFINITELY RELATED GOVERNMENT PROCUREMENT OPERATION, THE UNITED STATES GOVERNMENT THEREBY INCURS NO RESPONSIBILITY NOR ANY OBLIGATION WHATSOEVER, AND THE FACT THAT THE GOVERNMENT MAY HAVE FORWARDED, FURNISHED, OR IN ANY WAY SUPPLIED THE SAID DRAWINGS, SPECIFICATIONS OR OTHER DATA IS NOT TO BE REGARDED BY IMPLICATION OR OTHERWISE AS IN ANY MANNER LICENSING THE HOLDER OR ANY OTHER PERSON OR CORPORATION, OR CONVEYING ANY RIGHTS OR PERMISSION TO MANUFACTURE, USE, OR SELL ANY PATENTED INVENTION THAT MAY IN ANY WAY BE RELATED THERETO.

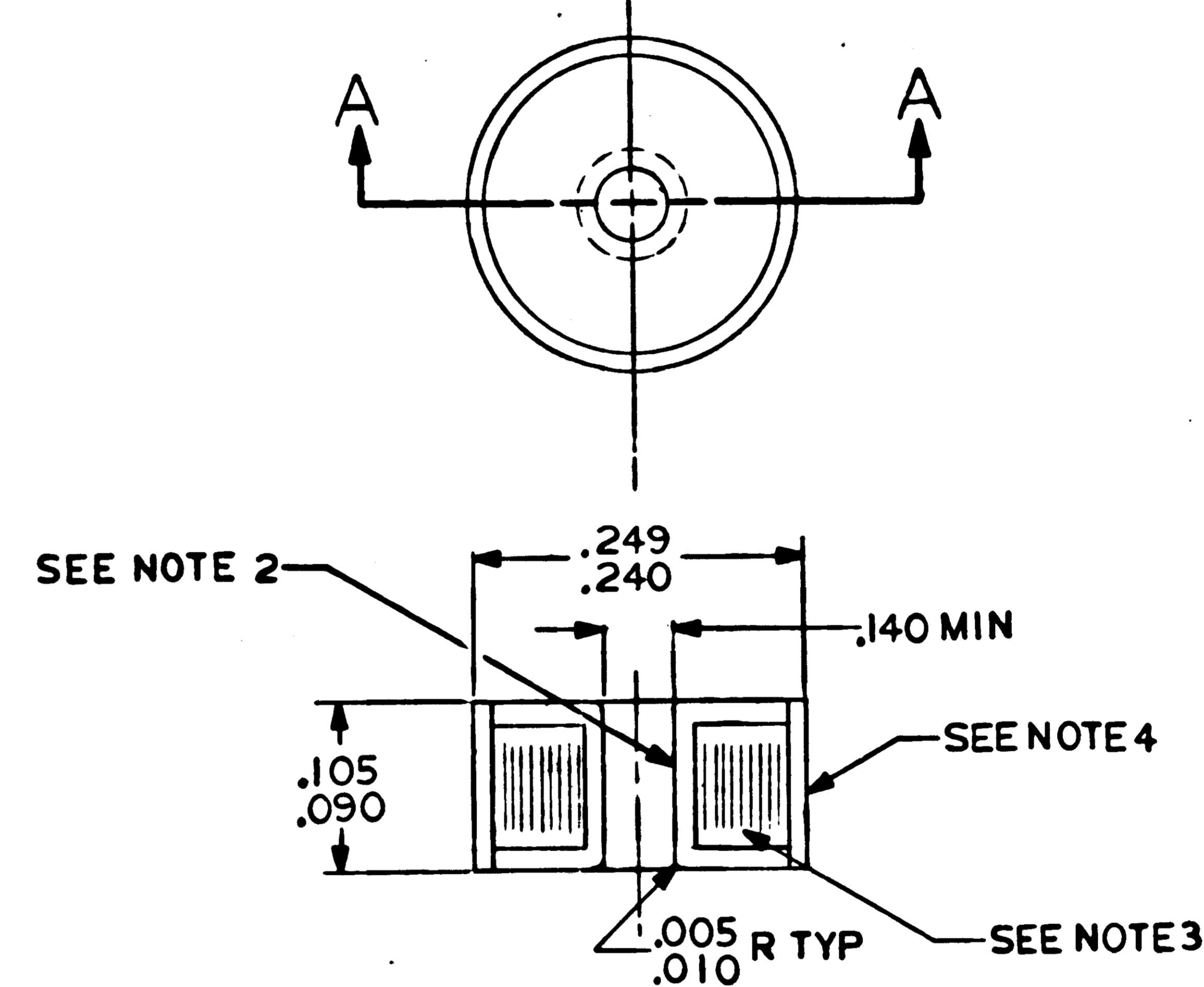
REVISIONS			
SYM	DESCRIPTION	DATE	APPROVAL
A	REVISED PER TDRR 00130	12-5-62	WJK
B	ADDED PROCUREMENT NOTE 7 PER TDRR 00433	2-20-63	WJK

**NOTES:**

- FOR TEST SPECS SEE NASA DOCUMENT ND 1002008
  - MATERIAL: 303 SST PER QQ-S-763B-1 PART TO BE FREE FROM BURRS
  - CORES SHALL BE WOUND WITH 1/8 MIL X 1/16 MO-PERM RIBBON
  - JACKET MATERIAL: .011 THK PHENOLIC SLEEVE
  - PAINT THICKNESS TO BE UNIFORM FROM .002-.005 ALL SURFACES
  - INTERPRET DRAWING IN ACCORDANCE WITH STANDARDS PRESCRIBED BY MIL-D-70327
- 7 A WAIVE AS REQUIRED ALL INFORMATION PRESENTED ON THIS DRAWING EXCEPT LEAD MATERIAL SPEC. & PHYSICAL DIMENSIONS.
- B UPON SPECIFIC INSTRUCTION BY (TD) TECHNICAL DIRECTIVE PROCURE THIS PART AS CHANGE LETTER B BY ORDERING TO VENDOR CATALOG NO. & SPECIFICATIONS. REFERENCE NO. 1002034.
- C DISREGARD THIS NOTE IN ITS ENTIRETY IF REFERENCE IS MADE TO THIS DRAWING BY OTHER THAN REVISION LETTER B.

**FOR INFORMATION ONLY**

CLASS B RELEASE TDR No. 00050 DATE 10-4-62



**NOMINAL CORE CHARACTERISTICS**

RAMP	T <sub>P</sub> μ SEC	T <sub>S</sub> μ SEC	V <sub>I</sub> MV	V <sub>O</sub> MV
200 MA μ SEC	2.5	1.9	240	—
400 MA μ SEC	1.4	1.5	360	—
1000 MA μ SEC	—	—	—	13

FOR SOURCE OF SUPPLY  
SEE QUALIFIED VENDOR LIST  
ND 1002034

APPLICATION	USED ON	FINAL FINISH
		—
		—
		—

UNLESS OTHERWISE SPECIFIED  
DIMENSIONS ARE IN INCHES  
TOLERANCES ON  
FRACTIONS DECIMALS ANGLES  
± — ± — ± —  
DO NOT SCALE THIS DRAWING  
MATERIAL ————  
HEAT TREATMENT ————  
FINAL FINISH ————

QTY REQD	PART OR IDENTIFYING NO.	NOMENCLATURE OR DESCRIPTION	FIND NO.
LIST OF MATERIALS			
MIT INSTRUMENTATION LAB CAMBRIDGE, MASS.		MANNED SPACECRAFT CENTER HOUSTON, TEXAS	
DRAWN <i>X.T. Terry</i> DATE 9-19-62		<b>CORE, 26 MAXWELL</b> SPECIFICATION CONTROL DRAWING	
CHECKED <i>Paul Shinsky</i> 10-9-62			
APPROVAL <i>[Signature]</i>		NASA DRAWING NO. <b>1006773</b>	
APPROVAL <i>[Signature]</i>			
NASA APPROVAL <i>[Signature]</i> 10-4-62		CODE IDENT NO. <b>C</b>	SIZE
MIT APPROVAL <i>[Signature]</i>		SCALE NONE	WT
		SHEET	1 OF 1

1006773