

NOTICE - WHEN GOVERNMENT DRAWINGS, SPECIFICATIONS, OR OTHER DATA ARE USED FOR ANY PURPOSE OTHER THAN IN CONNECTION WITH A DEFINITELY RELATED GOVERNMENT PROCUREMENT OPERATION, THE UNITED STATES GOVERNMENT THEREBY INCURS NO RESPONSIBILITY NOR ANY OBLIGATION WHATSOEVER, AND THE FACT THAT THE GOVERNMENT MAY HAVE FORMULATED, FURNISHED, OR IN ANY WAY SUPPLIED THE SAID DRAWINGS, SPECIFICATIONS OR OTHER DATA IS NOT TO BE REGARDED BY IMPLICATION OR OTHERWISE AS IN ANY MANNER LICENSING THE HOLDER OR ANY OTHER PERSON OR CORPORATION, OR CONVEYING ANY RIGHTS OR PERMISSION TO MANUFACTURE, USE, OR SELL ANY PATENTED INVENTION THAT MAY IN ANY WAY BE RELATED THERETO.

1006773

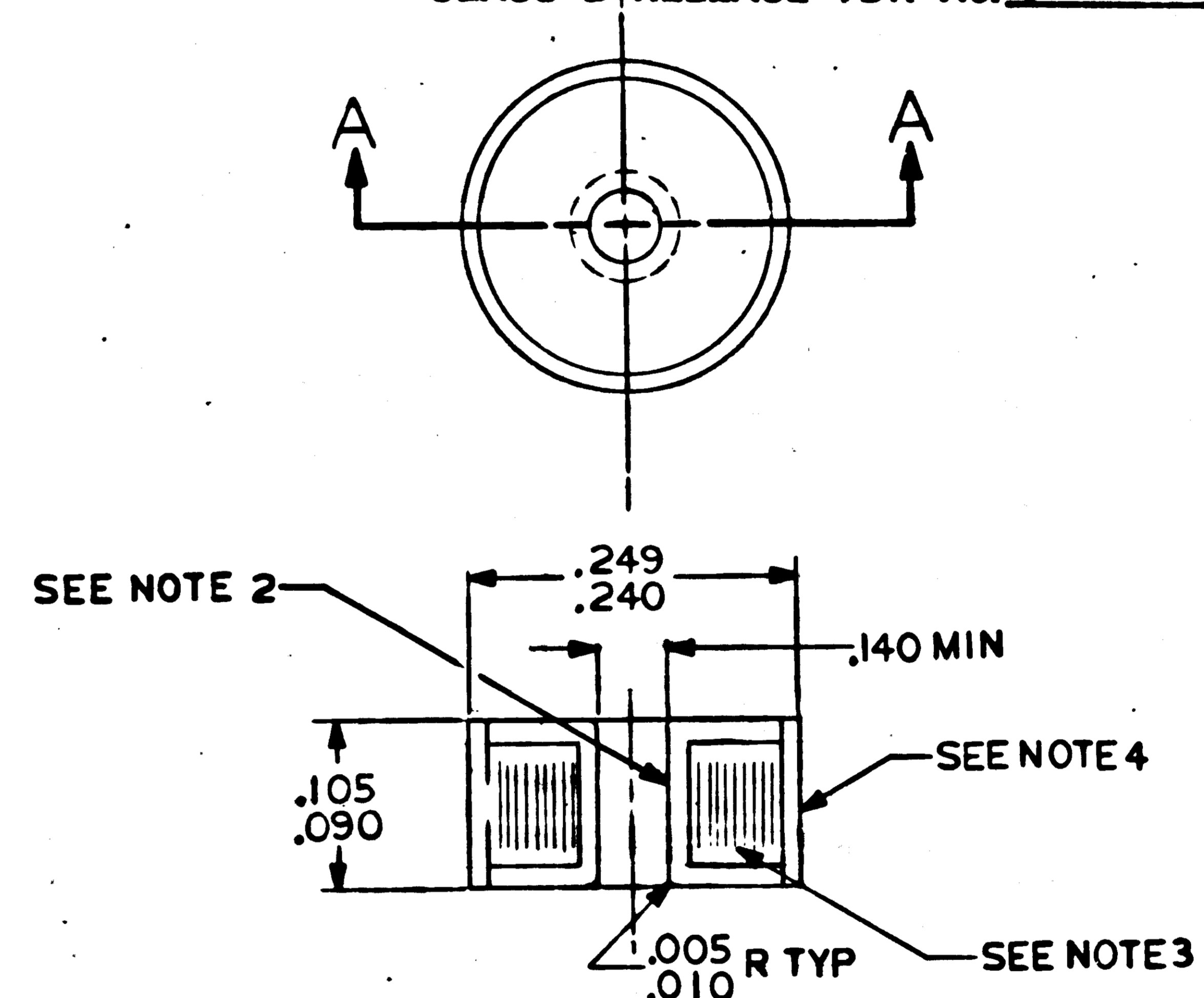
REVISIONS			
SYM	DESCRIPTION	DATE	APPROVAL
A	REVISED PER TDRR 00130	12-6-62	SEC WJK
B	ADDED PROCUREMENT NOTE 7 PER TDRR 00433	2-20-63	WJK
C	REPLACED WITH CHANGED BY REV D PER TDRR 00513		WJK

NOTES:

- FOR TEST SPECS SEE NASA DOCUMENT ND 1002008
- MATERIAL: 303 SST PER QQ-S-763B-I PART TO BE FREE FROM BURRS
- CORES SHALL BE WOUND WITH 1/8 MIL X 1/16 MO-PERM RIBBON
- JACKET MATERIAL: .011 THK PHENOLIC SLEEVE
- PAINT THICKNESS TO BE UNIFORM FROM .002-.005 ALL SURFACES
- INTERPRET DRAWING IN ACCORDANCE WITH STANDARDS PRESCRIBED BY MIL-D-70327
- A WAIVE AS REQUIRED ALL INFORMATION PRESENTED ON THIS DRAWING EXCEPT LEAD MATERIAL SPEC & PHYSICAL DIMENSIONS.
- B UPON SPECIFIC INSTRUCTION BY (TD) TECHNICAL DIRECTIVE PROCURE THIS PART AS CHANGE LETTER B BY ORDERING TO VENDOR CATALOG NO. & SPECIFICATIONS. REFERENCE ND 1002034.
- C DISREGARD THIS NOTE IN ITS ENTIRETY IF REFERENCE IS MADE TO THIS DRAWING BY OTHER THAN REVISION LETTER B.

FOR INFORMATION ONLY

CLASS B RELEASE TDR No. 00050 DATE 10-4-62



NOMINAL CORE CHARACTERISTICS

RAMP	T _P μ SEC	T _S μ SEC	V _I MV	V _O MV
200 MA μ SEC	2.5	1.9	240	—
400 MA μ SEC	1.4	1.5	360	—
1000 MA μ SEC	—	—	—	13

REPLACED WITH CHANGE BY REV D

SECTION A-A

MASTER

FOR SOURCE OF SUPPLY
SEE QUALIFIED VENDOR LIST
ND 1002034

UNLESS OTHERWISE SPECIFIED DIMENSIONS ARE IN INCHES
TOLERANCES ON
FRACTIONS DECIMALS ANGLES
± — ± — ± —
DO NOT SCALE THIS DRAWING
MATERIAL
HEAT TREATMENT
FINAL FINISH
NEXT ASSY USED ON
APPLICATION

MIT INSTRUMENTATION L CAMBRIDGE, MASS.
DWG. NO. CONTRACT
DRAWN <i>W.T. Tracy</i> DATE 9-19-62
CHECKED <i>Paul Shively</i> 10-9-62
APPROVAL <i>W.D. Rogers</i>
APPROVAL <i>Edna C. Hall</i>
NASA APPROVAL <i>W.D. Rogers</i> 10-4-62
MIT APPROVAL <i>W.H. Keffer</i> 10/4/62

QTY REQD	PART OR IDENTIFYING NO.	NOMENCLATURE OR DESCRIPTION	FIND NO.
LIST OF MATERIALS			
MIT INSTRUMENTATION L CAMBRIDGE, MASS.		MANNED SPACECRAFT CENTER HOUSTON, TEXAS	
CORE, 26 MAXWELL			
SPECIFICATION CONTROL DRAWING			
CODE IDENT NO. SIZE		NASA DRAWING NO.	
C		1006773	
SCALE NONE		SHEET 1 OF 1	