

NOTICE - WHEN GOVERNMENT DRAWINGS, SPECIFICATIONS, OR OTHER DATA ARE USED FOR ANY PURPOSE OTHER THAN IN CONNECTION WITH A DEFINITELY RELATED GOVERNMENT PROCUREMENT OPERATION, THE UNITED STATES GOVERNMENT THEREBY INCURS NO RESPONSIBILITY NOR ANY OBLIGATION WHATSOEVER, AND THE FACT THAT THE GOVERNMENT MAY HAVE FORMULATED, FURNISHED, OR IN ANY WAY SUPPLIED THE SAID DRAWINGS, SPECIFICATIONS OR OTHER DATA IS NOT TO BE REGARDED BY IMPLICATION OR OTHERWISE AS IN ANY MANNER LICENSING THE HOLDER OR ANY OTHER PERSON OR CORPORATION, OR CONVEYING ANY RIGHTS OR PERMISSION TO MANUFACTURE, USE, OR SELL ANY PATENTED INVENTION THAT MAY IN ANY WAY BE RELATED THERETO.

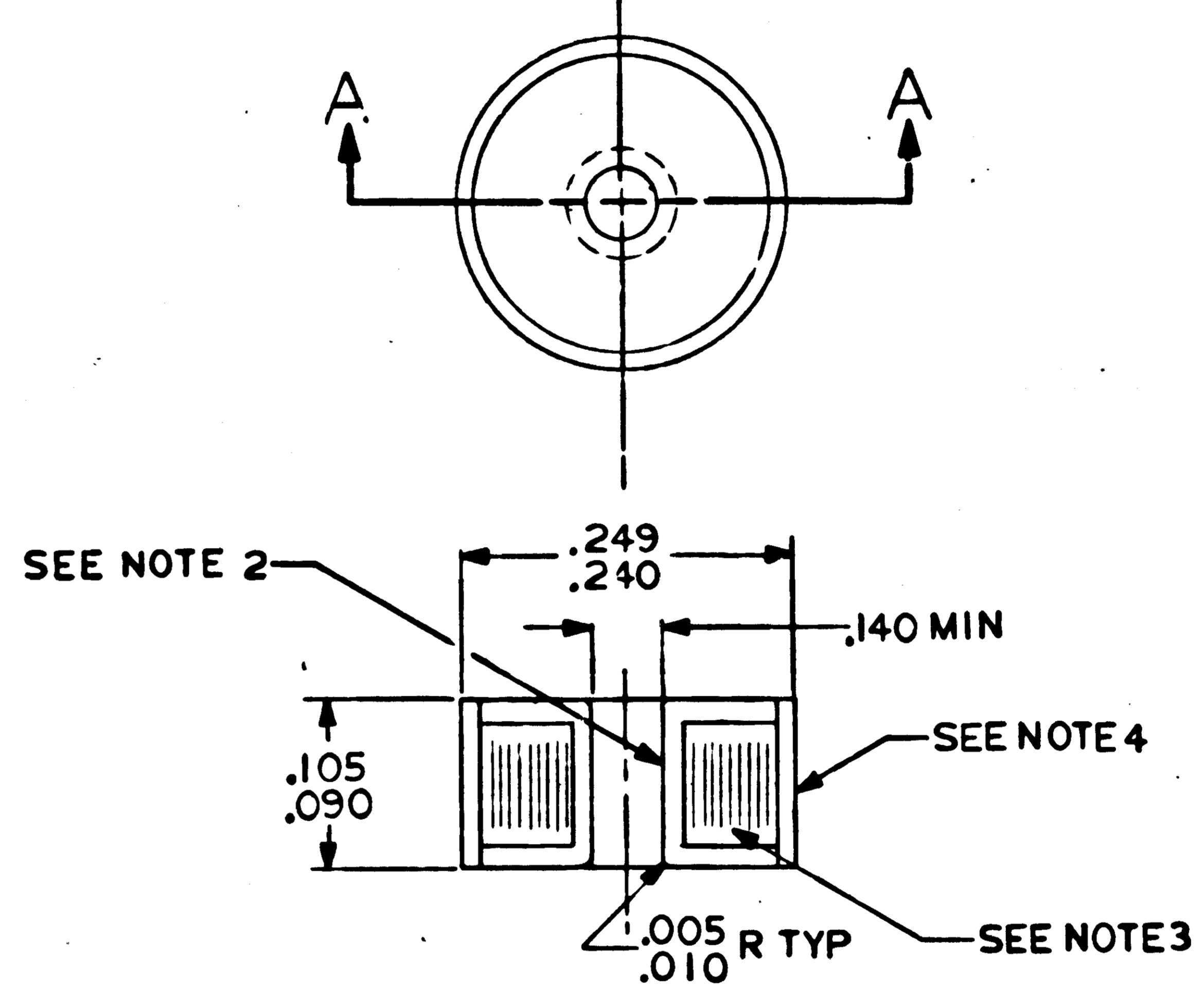
1006773		REVISIONS	
SYM	DESCRIPTION	DATE	APPROVAL
D	REPLACES REV C WITH CHANGE PER TDRR 02513		WIK

NOTES:

- FOR TEST SPECS SEE NASA DOCUMENT ND 1002008
- MATERIAL: 303SST PER QQ-S-763B-1 PART TO BE FREE FROM BURRS
- CORES SHALL BE WOUND WITH 1/8 MIL X 1/16 MO-PERM RIBBON
- JACKET MATERIAL: .011 THK PHENOLIC SLEEVE
- PAINT THICKNESS TO BE UNIFORM FROM .002-.005 ALL SURFACES
- INTERPRET DRAWING IN ACCORDANCE WITH STANDARDS PRESCRIBED BY MIL-D-70327

FOR INFORMATION ONLY

CLASS B RELEASE TDR No. 00050 DATE 10-4-62



NOMINAL CORE CHARACTERISTICS

RAMP	T _p μ SEC	T _s μ SEC	V _i MV	V _o MV
200 MA μ SEC	2.5	1.9	240	—
400 MA μ SEC	1.4	1.5	360	—
1000 MA μ SEC	—	—	—	13

Ⓧ REPLACES REV C WITH CHANGE SECTION A-A

FOR SOURCE OF SUPPLY
SEE QUALIFIED VENDOR LIST
ND 1002034

MASTER

UNLESS OTHERWISE SPECIFIED DIMENSIONS ARE IN INCHES	
TOLERANCES ON	
FRACTIONS DECIMALS ANGLES	± ± ±
DO NOT SCALE THIS DRAWING	
MATERIAL	—//—
HEAT TREATMENT	—//—
FINAL FINISH	—//—
NEXT ASSY	USED ON
APPLICATION	

QTY REQD	PART OR IDENTIFYING NO.	NOMENCLATURE OR DESCRIPTION	FIND NO.
LIST OF MATERIALS			
MIT INSTRUMENTATION LAB CAMBRIDGE, MASS.		MANNED SPACECRAFT CENTER HOUSTON, TEXAS	
DRAWN <i>W.T. Tracy</i> DATE 9-19-62		CORE, 26 MAXWELL SPECIFICATION CONTROL DRAWING	
CHECKED <i>Paul Shinsky</i> 10-3-62			
APPROVAL <i>SO [Signature]</i>		CODE IDENT NO. SIZE	
APPROVAL <i>Edna C. Hall</i>		C	
NASA APPROVAL <i>[Signature]</i> 10-4-62		NASA DRAWING NO. 1006773	
MIT APPROVAL <i>W.H. Keppeler</i>		SCALE NONE	SHEET 1 OF 1

MASTER