

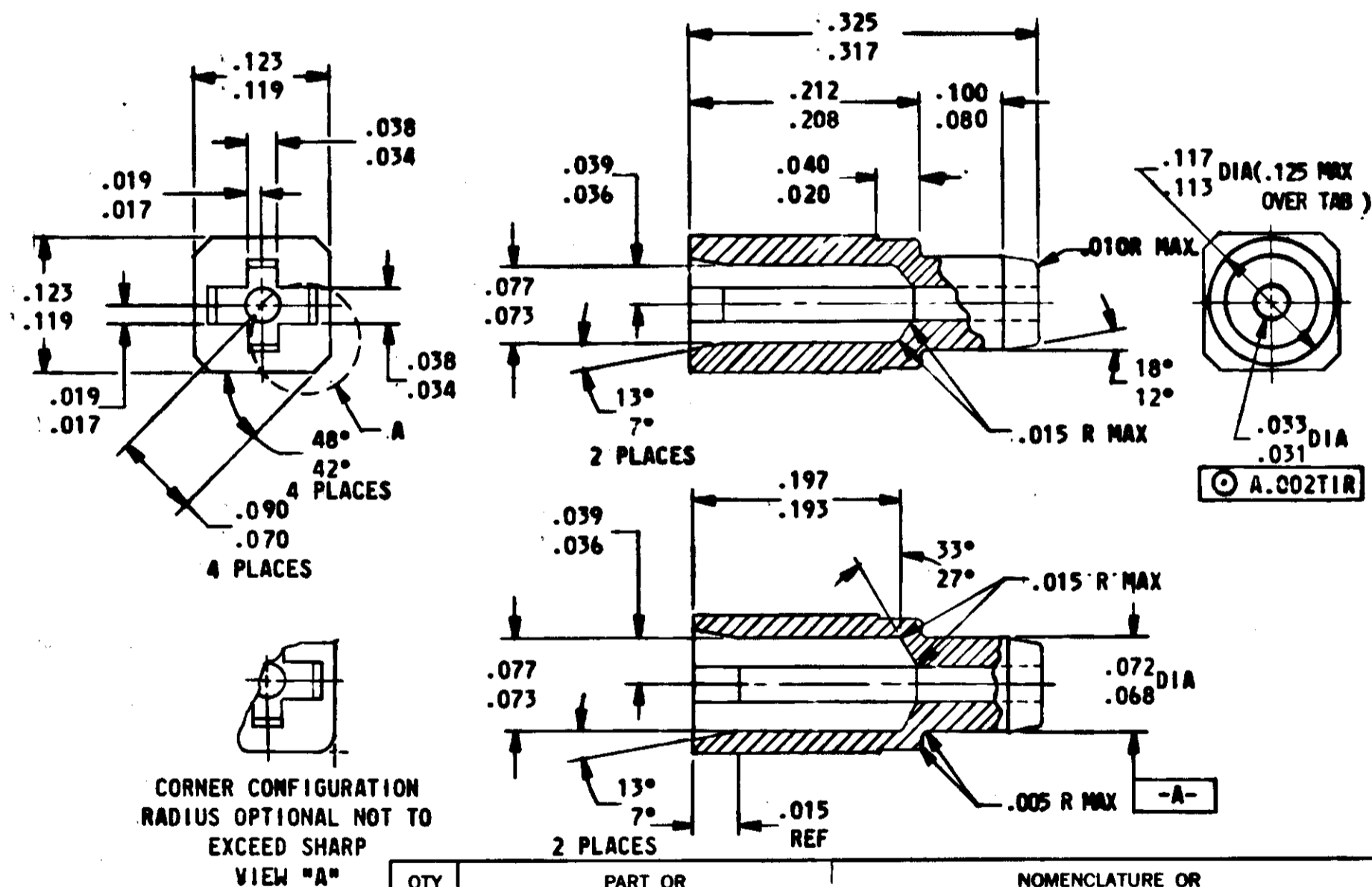
NOTICE - WHEN GOVERNMENT DRAWINGS, SPECIFICATIONS, OR OTHER DATA ARE USED FOR ANY PURPOSE OTHER THAN IN CONNECTION WITH A DEFINITELY RELATED GOVERNMENT PROCUREMENT OPERATION, THE UNITED STATES GOVERNMENT THEREBY INCURS NO RESPONSIBILITY NOR ANY OBLIGATION WHATSOEVER, AND THE FACT THAT THE GOVERNMENT MAY HAVE FORMULATED, FURNISHED, OR IN ANY WAY SUPPLIED THE SAID DRAWINGS, SPECIFICATIONS OR OTHER DATA IS NOT TO BE REGARDED BY IMPLICATION OR OTHERWISE AS IN ANY MANNER LICENSING THE HOLDER OR ANY OTHER PERSON OR CORPORATION, OR CONVEYING ANY RIGHTS OR PERMISSION TO MANUFACTURE, USE OR SELL ANY PATENTED INVENTION THAT MAY IN ANY WAY BE RELATED THERETO.

1006774

REVISIONS TO NR 00189 12-20-62			
SYM	DESCRIPTION	DATE	APPROVAL
	ORIGINATED		
A	REVISED PER TDRR 01289	5/12/63	JW

NOTES:

- REQUIREMENTS:
 - MATERIAL: POLYAMIDE (NYLON) PLASTIC IN ACCORDANCE WITH MIL-P-17091, TYPE I.
 - SUPPLIERS SHALL CONFORM TO THE QUALITY ASSURANCE PROVISIONS SPECIFIED IN NASA DOCUMENT ND 1015404 CLASS III.
- INTERPRET DRAWING IN ACCORDANCE WITH STANDARDS PRESCRIBED BY MIL-D-70327.



ORIGINAL SOURCE OF SUPPLY
MALCO MANUFACTURING CO.
CHICAGO, ILLINOIS
CODE IDENT NO. 91886

QTY REQD	PART OR IDENTIFYING NO.	NOMENCLATURE OR DESCRIPTION	FIND NO.
LIST OF MATERIALS			
MIT INSTRUMENTATION LAB CAMBRIDGE, MASS.		MANNED SPACECRAFT CENTER HOUSTON, TEXAS	
DRAWN <i>Ray Whorby</i> DATE <i>12-20-62</i> CHECKED <i>H. Maynard</i> 14 DEC '62 APPROVAL <i>Joe Matton</i> APPROVAL <i>W. J. Duggan</i>		INSULATOR, WRAPOST-FEMALE, MINIATURE SPECIFICATION CONTROL DRAWING	
HEAT TREATMENT NONE		CODE IDENT NO. C	NASA DRAWING NO. 1006774
FINAL FINISH NONE		SCALE NONE	WT
APPLICATION		SHEET OF	

