

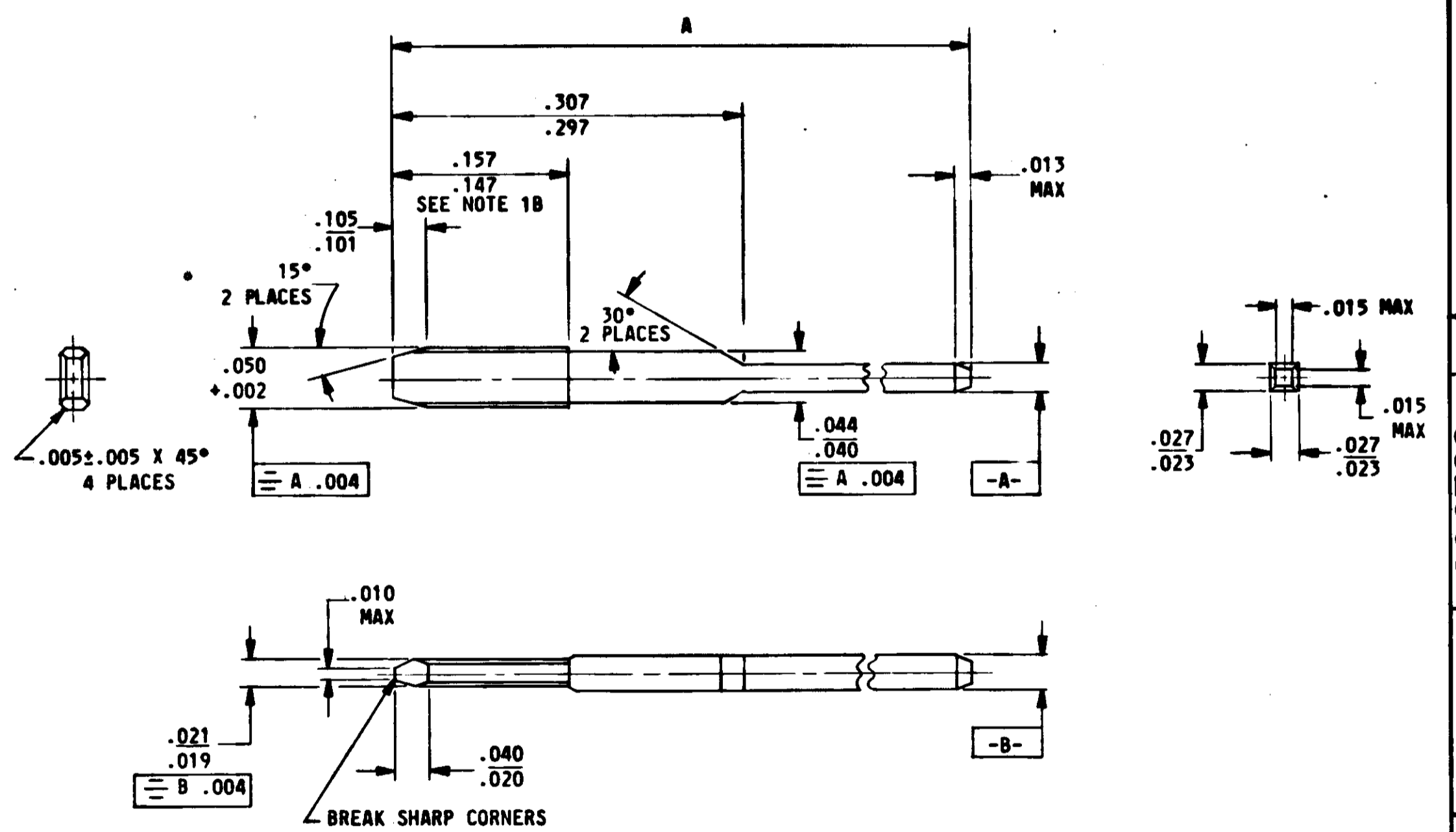
NOTICE - WHEN GOVERNMENT DRAWINGS, SPECIFICATIONS, OR OTHER DATA ARE USED FOR ANY PURPOSE OTHER THAN IN CONNECTION WITH A DEFINITELY RELATED GOVERNMENT PROCUREMENT OPERATION, THE UNITED STATES GOVERNMENT THEREBY INCURS NO RESPONSIBILITY FOR ANY OBLIGATION WHATSOEVER, AND THE FACT THAT THE GOVERNMENT MAY HAVE FORMULATED, FURNISHED, OR IN ANY WAY SUPPLIED THE SAID DRAWINGS, SPECIFICATIONS OR OTHER DATA IS NOT TO BE REGARDED BY IMPLICATION OR OTHERWISE AS IN ANY MANNER LICENSING THE HOLDER OR ANY OTHER PERSON OR CORPORATION, OR CONVEYING ANY RIGHTS OR PERMISSION TO MANUFACTURE, USE, OR SELL ANY PATENTED INVENTION THAT MAY IN ANY WAY BE RELATED THERETO.

1006782

REVISIONS TORR 00189 12-20-62			
SYM	DESCRIPTION	DATE	APPROVAL
(M) -	ORIGINATED		
(M) A	REVISED PER TORR 00290	1-23-63	[Signature]

NOTES:

- REQUIREMENTS:
  - MATERIAL: BERYLLIUM COPPER PER FEDERAL SPECIFICATION QQ-C-533.
  - FINISH: GOLD PLATING, .000050 MINIMUM THICKNESS PER MIL-G-45204, TYPE II OVER SILVER PLATE PER QQ-S-365, .0002 MINIMUM THICKNESS, AT CONTACT AREA.
  - HEAT TREATMENT: PER MIL-H-7199, ROCKWELL 36C MINIMUM.
  - SUPPLIER SHALL CONFORM TO THE QUALITY ASSURANCE PROVISIONS SPECIFIED IN NASA DOCUMENT ND 1015404 CLASS III.
- INTERPRET DRAWING IN ACCORDANCE WITH STANDARDS PRESCRIBED BY MIL-D-70327.



DASH NO.	DIM A-	MALCO PART NO.
1	.413 .403	
2	.843 .833	5190005
3	.555 .545	
4	1.317 1.307	

ORIGINAL SOURCE OF SUPPLY:  
MALCO MANUFACTURING COMPANY  
CHICAGO, ILLINOIS  
CODE IDENT NO. 91886

QTY REQD	PART OR IDENTIFYING NO.	NOMENCLATURE OR DESCRIPTION	FIND NO.
LIST OF MATERIALS			
MIT INSTRUMENTATION LAB CAMBRIDGE, MASS.		MANNED SPACECRAFT CENTER HOUSTON, TEXAS	
DRAWN <i>Ray Wheeler</i> DATE 4 Dec 62 CHECKED <i>A. Hayward</i> 14 DEC 62		<b>CONTACT, WRAPOST-MALE, MINIATURE SPECIFICATION CONTROL DRAWING</b>	
APPROVAL <i>Joe Martin</i> APPROVAL <i>S. Duggan</i>			
HEAT TREATMENT SEE NOTES		CODE IDENT NO.	NASA DRAWING NO.
FINAL FINISH SEE NOTES		SIZE <b>C</b>	<b>1006782</b>
APPLICATION		SCALE NONE	WT
		SHEET	OF