

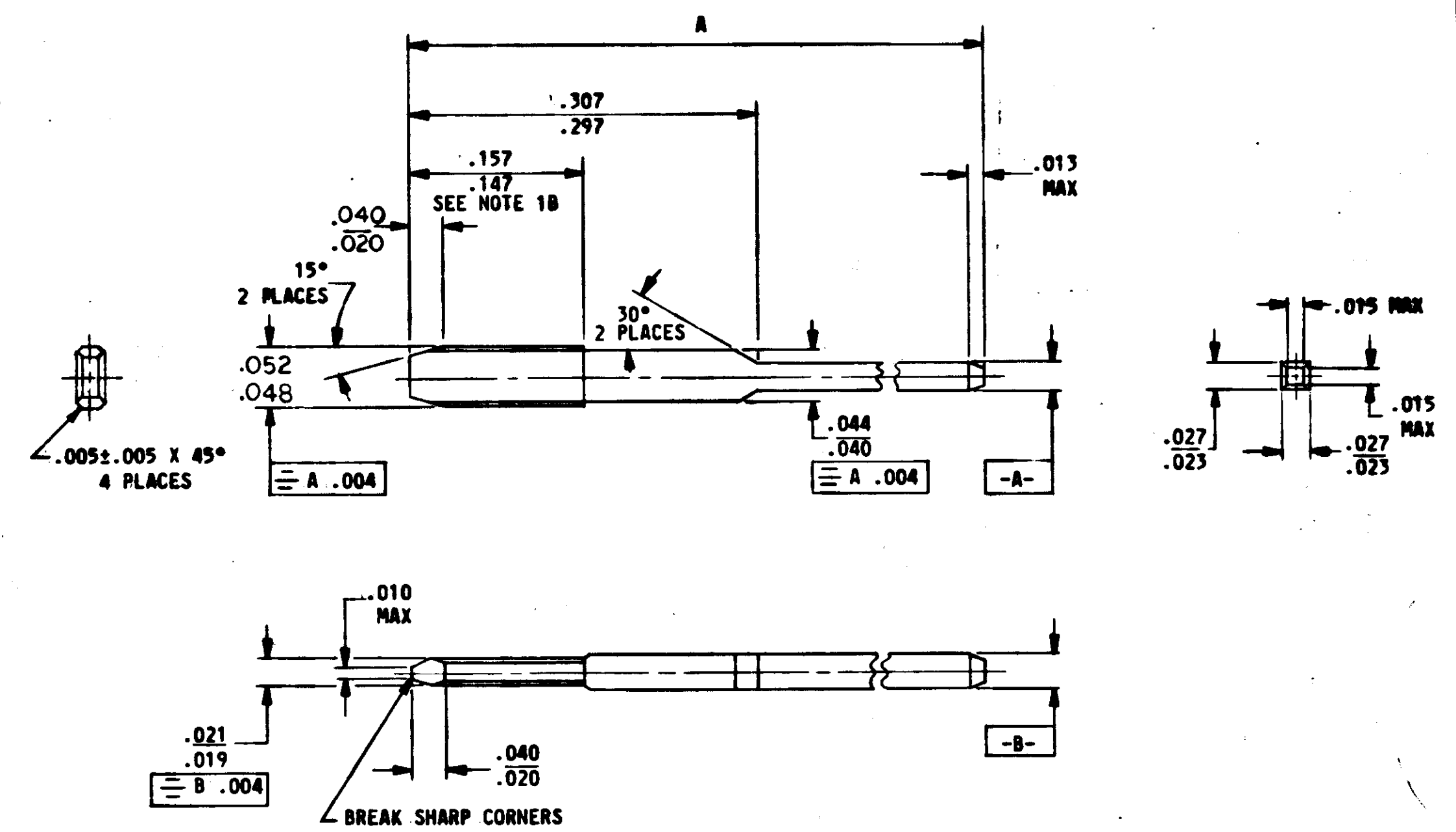
NOTICE - WHEN GOVERNMENT DRAWINGS, SPECIFICATIONS, OR OTHER DATA ARE USED FOR ANY PURPOSE OTHER THAN IN CONNECTION WITH A DEFINITELY RELATED GOVERNMENT PROCUREMENT OPERATION, THE UNITED STATES GOVERNMENT THEREBY INCURS NO RESPONSIBILITY NOR ANY OBLIGATION WHATSOEVER, AND THE FACT THAT THE GOVERNMENT MAY HAVE FORMULATED, FURNISHED, OR IN ANY WAY SUPPLIED THE SAID DRAWINGS, SPECIFICATIONS OR OTHER DATA IS NOT TO BE REGARDED BY IMPLICATION OR OTHERWISE AS IN ANY MANNER LICENSING THE HOLDER OR ANY OTHER PERSON OR CORPORATION, OR CONVEYING ANY RIGHTS OR PERMISSION TO MANUFACTURE, USE, OR SELL ANY PATENTED INVENTION THAT MAY IN ANY WAY BE RELATED THERETO.

1006782

REVISIONS			
SYM	DESCRIPTION	DATE	APPROVAL
(M)	ORIGINATED		
(M)	A REVISED PER TDRR 00290	1-23-63	WJ
(M)	B REVISED PER TDRR 00350	2-6-63	WJ
(M)	C REVISED PER TDRR 00561	3-13-63	WJ
(M)	D REVISED PER TDRR 01164	5-8-63	WJ

NOTES:

- REQUIREMENTS:
 - MATERIAL: BRASS, PER FEDERAL SPECIFICATION QQ-B-613b, COMPOSITION 2, TEMPER HARD, ULTRA FINE GRAIN.
 - FINISH: GOLD PLATING, .000050 MINIMUM THICKNESS PER MIL-G-45204, TYPE II OVER SILVER PLATE PER QQ-S-365, .0002 MINIMUM THICKNESS, AT CONTACT AREA.
 - SUPPLIER SHALL CONFORM TO THE QUALITY ASSURANCE PROVISIONS SPECIFIED IN NASA DOCUMENT ND 1015404 CLASS III.
- INTERPRET DRAWING IN ACCORDANCE WITH STANDARDS PRESCRIBED BY MIL-D-70327.



DASH NO.	DIM A-	MALCO PART NO.
1	.413 .403	
2	.843 .833	5190005
3	.555 .545	
4	1.317 1.307	
5	1.412 1.402	

ORIGINAL SOURCE OF SUPPLY:
MALCO MANUFACTURING COMPANY
CHICAGO, ILLINOIS
CODE IDENT NO. 91806

QTY REQD		PART OR IDENTIFYING NO.		NOMENCLATURE OR DESCRIPTION		FIND NO.
LIST OF MATERIALS						
		MIT INSTRUMENTATION LAB CAMBRIDGE, MASS.		MANNED SPACECRAFT CENTER HOUSTON, TEXAS		
		DRAWN <i>Ray W. ...</i> DATE <i>9 Dec 62</i>		CONTACT, WRAPOST-MALE, MINIATURE SPECIFICATION CONTROL DRAWING		
		CHECKED <i>A. Hayward</i> 14 DEC 62				
		APPROVAL <i>Joe ...</i>		NASA APPROVAL <i>WJ ...</i> 12-20-62		CODE IDENT NO. C
		APPROVAL <i>Joe ...</i>		MIT APPROVAL <i>WJ ...</i>		NASA DRAWING NO. 1006782
NEXT ASSY		USED ON		SCALE NONE		WT
APPLICATION						SHEET 1 OF 1

