

NOTICE - WHEN GOVERNMENT DRAWINGS, SPECIFICATIONS, OR OTHER DATA ARE USED FOR ANY PURPOSE OTHER THAN IN CONNECTION WITH A DEFINITELY RELATED GOVERNMENT PROCUREMENT OPERATION, THE UNITED STATES GOVERNMENT THEREBY INCURS NO RESPONSIBILITY NOR ANY OBLIGATION WHATSOEVER, AND THE FACT THAT THE GOVERNMENT MAY HAVE FORMULATED, FURNISHED, OR IN ANY WAY SUPPLIED THE SAID DRAWINGS, SPECIFICATIONS OR OTHER DATA IS NOT TO BE REGARDED BY IMPLICATION OR OTHERWISE AS IN ANY MANNER LICENSING THE HOLDER OR ANY OTHER PERSON OR CORPORATION, OR CONVEYING ANY RIGHTS OR PERMISSION TO MANUFACTURE, USE, OR SELL ANY PATENTED INVENTION THAT MAY IN ANY WAY BE RELATED THERETO.

E 2819001

REVISIONS TO DR 0049 12-20-62			
SYM	DESCRIPTION	DATE	APPROVAL
	ORIGINATED		
(M) A	REVISED PER TDRR 00290	12-23-63	WJ
(M) B	REVISED PER TDRR 00350	2-6-63	WJ
(M) C	REVISED PER TDRR 00561	3-13-63	WJ
(M) D	REVISED PER TDRR 01164	5-8-63	WJ
(M) E	REVISED PER TDRR 02392	3/1/63	WJ

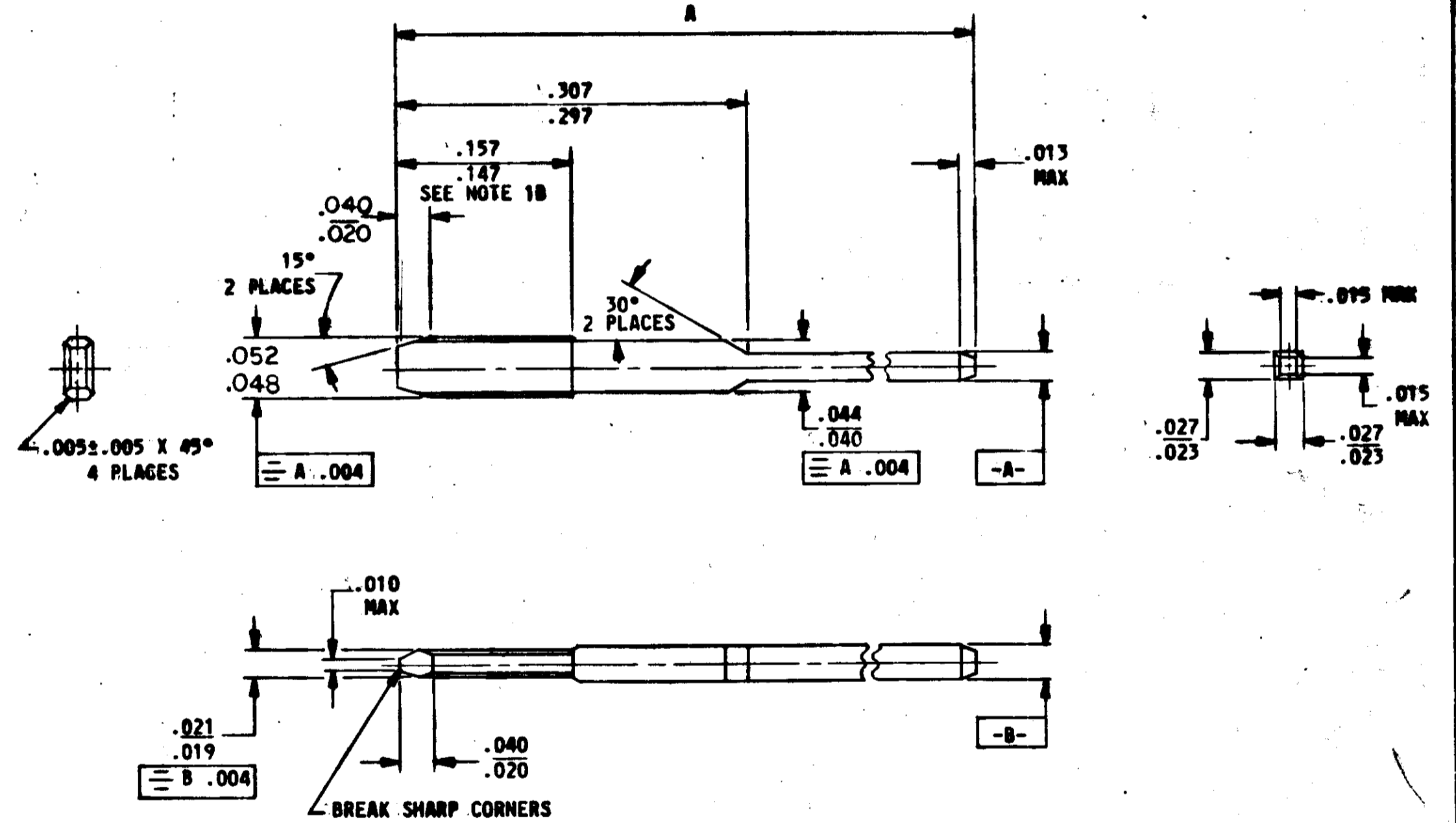
NOTES:

1. REQUIREMENTS:

- A. MATERIAL: ~~UNLESS OTHERWISE SPECIFIED~~ QQ-B-6136, COMPOSITION 2, TEMPER HARD, ULTRA FINE GRAIN
- B. FINISH: GOLD PLATING, .000050 MINIMUM THICKNESS PER MIL-G-45204, TYPE II OVER SILVER PLATE PER QQ-S-365, .0002 MINIMUM THICKNESS, AT CONTACT AREA.

C. SUPPLIER SHALL CONFORM TO THE QUALITY ASSURANCE PROVISIONS SPECIFIED IN NASA DOCUMENT NO 1015404 CLASS 3

2. INTERPRET DRAWING IN ACCORDANCE WITH STANDARDS PRESCRIBED BY MIL-B-70327.



DASH NO.	DIM
	A-
1	.413 .483
2	.843 .833
3	.555 .545
4	1.317 1.307
5	1.412 1.402
6	.460 .450

PROCURE ONLY FROM APPROVED SOURCES LISTED ON ND1002034 FOR THIS DRAWING.

QTY REQD		PART OR IDENTIFYING NO.		NOMENCLATURE OR DESCRIPTION		FINO NO.
LIST OF MATERIALS						
MIT INSTRUMENTATION LAB CAMBRIDGE, MASS.				MANNED SPACECRAFT CENTER HOUSTON, TEXAS		
DRAWN <i>Ray M. ...</i> DATE 9-20-62 CHECKED <i>J. ...</i> 14 DEC 62 APPROVAL <i>Joe ...</i> APPROVAL <i>...</i>				CONTACT, WRAPOST-MALE, MINIATURE SPECIFICATION CONTROL DRAWING		
HEAT TREATMENT SEE NOTES				NASA APPROVAL <i>WJ ...</i> 112-20-62	CODE IDENT NO.	SIZE
FINAL FINISH SEE NOTES				MIT APPROVAL <i>...</i>	C	NASA DRAWING NO. 1006782
NEXT ASSY		USED ON		SCALE	WT	SHEET OF
APPLICATION				NONE		1 OF

INCHES