

NOTICE - WHEN GOVERNMENT DRAWINGS, SPECIFICATIONS, OR OTHER DATA ARE USED FOR ANY PURPOSE OTHER THAN IN CONNECTION WITH A DEFINITELY RELATED GOVERNMENT OPERATION, THE UNITED STATES GOVERNMENT THEREBY INCURS NO RESPONSIBILITY NOR ANY OBLIGATION WHATSOEVER, AND THE FACT THAT THE GOVERNMENT MAY HAVE FORMULATED, FURNISHED, OR IN ANY WAY SUPPLIED THE SAID DRAWINGS, SPECIFICATIONS OR OTHER DATA IS NOT TO BE REGARDED BY IMPLICATION OR OTHERWISE AS IN ANY MANNER LICENSING THE HOLDER OR ANY OTHER PERSON OR CORPORATION, OR CONVEYING ANY RIGHTS OR PERMISSION TO MANUFACTURE, USE, OR SELL ANY PATENTED INVENTION THAT MAY IN ANY WAY BE RELATED THERETO.

H 2829001

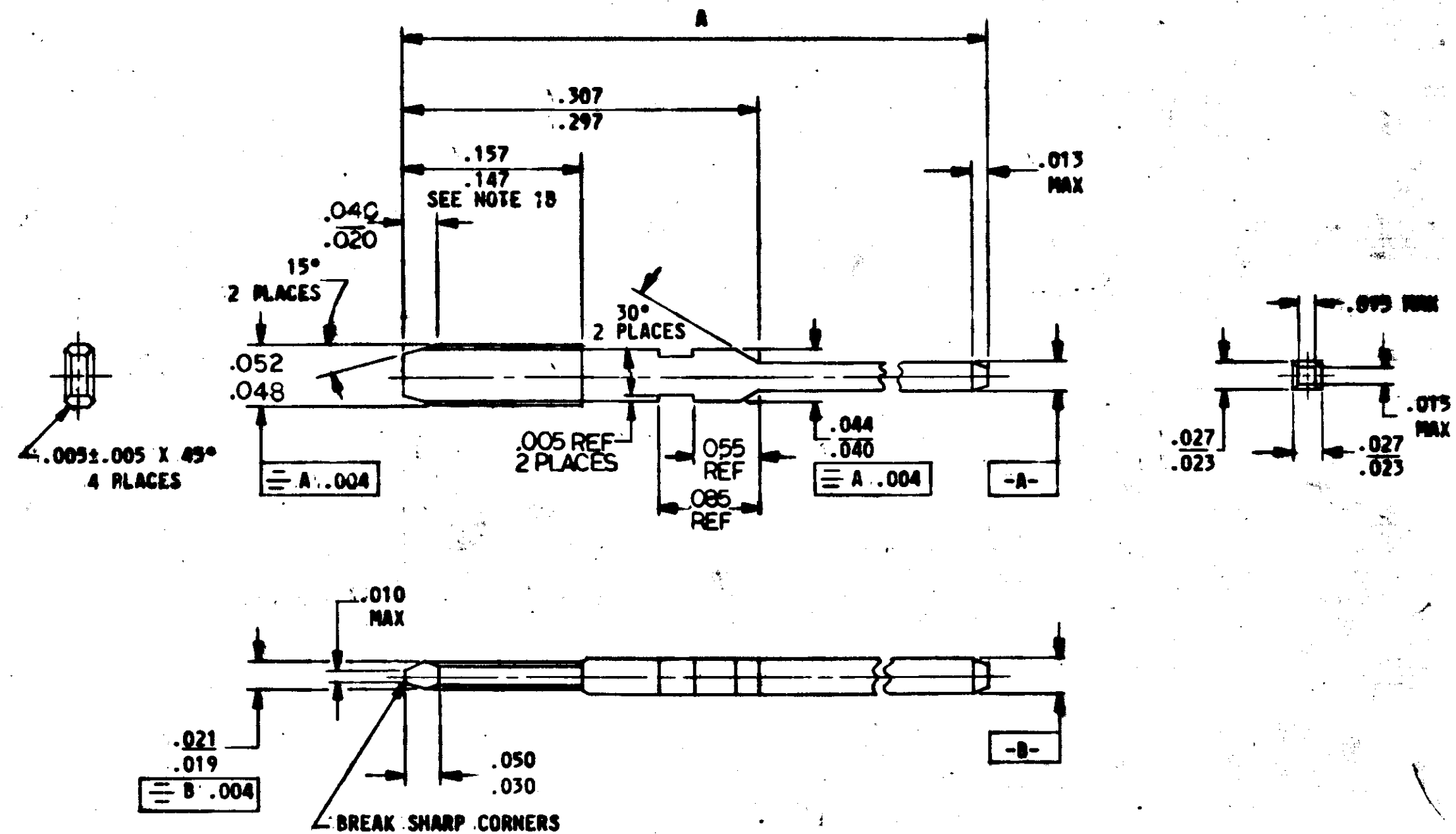
REVISIONS TO DR 0049 12-20-62			
SYM	DESCRIPTION	DATE	APPROVAL
	ORIGINATED		
A	REVISED PER TDRR 00290	2-23-63	WJ
B	REVISED PER TDRR 00350	2-6-63	WJ
C	REVISED PER TDRR 00561	3-13-63	WJ
D	REVISED PER TDRR 01164	5-8-63	WJ
E	REVISED PER TDRR 02392	8/1/63	WJ
F	REVISED PER TDRR 02817	8/28/63	WJ
G	REVISED PER TDRR 03513	30 Oct 63	WJ
H	REVISED PER TDRR 04695	1/24/63	WJ

NOTES:

1. REQUIREMENTS:

- A. MATERIAL: ~~MONEL PER MIL-N-1000~~ INTERNATIONAL NICKEL-COPPER-NIUMINGTON ALLOY #200.
- B. FINISH: GOLD PLATING, .000050 MINIMUM THICKNESS PER MIL-G-45204, TYPE II AT CONTACT AREA Q-Q-S-3e5, .0002 MINIMUM THICKNESS AT CONTACT AREA.
- C. SUPPLIER SHALL CONFORM TO THE QUALITY ASSURANCE PROVISIONS SPECIFIED IN NASA DOCUMENT NO 1015404 CLASS 3

- 2. INTERPRET DRAWING IN ACCORDANCE WITH STANDARDS PRESCRIBED BY MIL-D-70327.
- 3. MARKING: PACKAGING OF PARTS SHALL BE MARKED IN ACCORDANCE WITH MIL-STD-129, BOTH INTERNALLY AND EXTERNALLY WITH THE NASA DRAWING NUMBER, REVISION LETTER AND DASH NUMBER, THE SUPPLIER'S NAME, AND NUMBER OF UNITS CONTAINED IN EACH PACKAGE.



DASH NO.	DIM
1	.413 .403
2	.843 .833
3	.555 .545
4	1.317 1.307
5	1.412 1.402
6	.460 .450

PROCURE ONLY FROM APPROVED SOURCES LISTED ON MD1002034 FOR THIS DRAWING.

QTY REQD		PART OR IDENTIFYING NO.	NOMENCLATURE OR DESCRIPTION	FIND NO.
LIST OF MATERIALS				
		MIT INSTRUMENTATION LAB CAMBRIDGE, MASS.	MANNED SPACECRAFT CENTER HOUSTON, TEXAS	
		DRAWN <i>Ray Wicks</i> DATE 9 Dec 62	CONTACT, WRAPOST-MALE, MINIATURE SPECIFICATION CONTROL DRAWING	
		CHECKED <i>J. Martin</i> 14 DEC 62		
		APPROVAL <i>Joe Martin</i>		
		APPROVAL <i>W. Duggan</i>		
		NASA APPROVAL <i>W. Duggan</i> 12-20-62	CODE IDENT NO.	NASA DRAWING NO.
		MIT APPROVAL <i>W. Duggan</i>	SIZE C	1006782
			SCALE NONE	SHEET 1 OF 1

INCHES