

NOTICE - WHEN GOVERNMENT DRAWINGS, SPECIFICATIONS, OR OTHER DATA ARE USED FOR ANY PURPOSE OTHER THAN IN CONNECTION WITH A DEFINITELY RELATED GOVERNMENT PROCUREMENT OPERATION, THE UNITED STATES GOVERNMENT THEREBY INCURS NO RESPONSIBILITY NOR ANY OBLIGATION WHATSOEVER, AND THE FACT THAT THE GOVERNMENT MAY HAVE FORMULATED, FURNISHED, OR IN ANY WAY SUPPLIED THE SAID DRAWINGS, SPECIFICATIONS OR OTHER DATA IS NOT TO BE REGARDED BY IMPLICATION OR OTHERWISE AS IN ANY MANNER LICENSING THE HOLDER OR ANY OTHER PERSON OR CORPORATION, OR CONFERRING ANY RIGHTS OR PERMISSION TO MANUFACTURE, USE, OR SELL ANY PATENTED INVENTION THAT MAY IN ANY WAY BE RELATED THERETO.

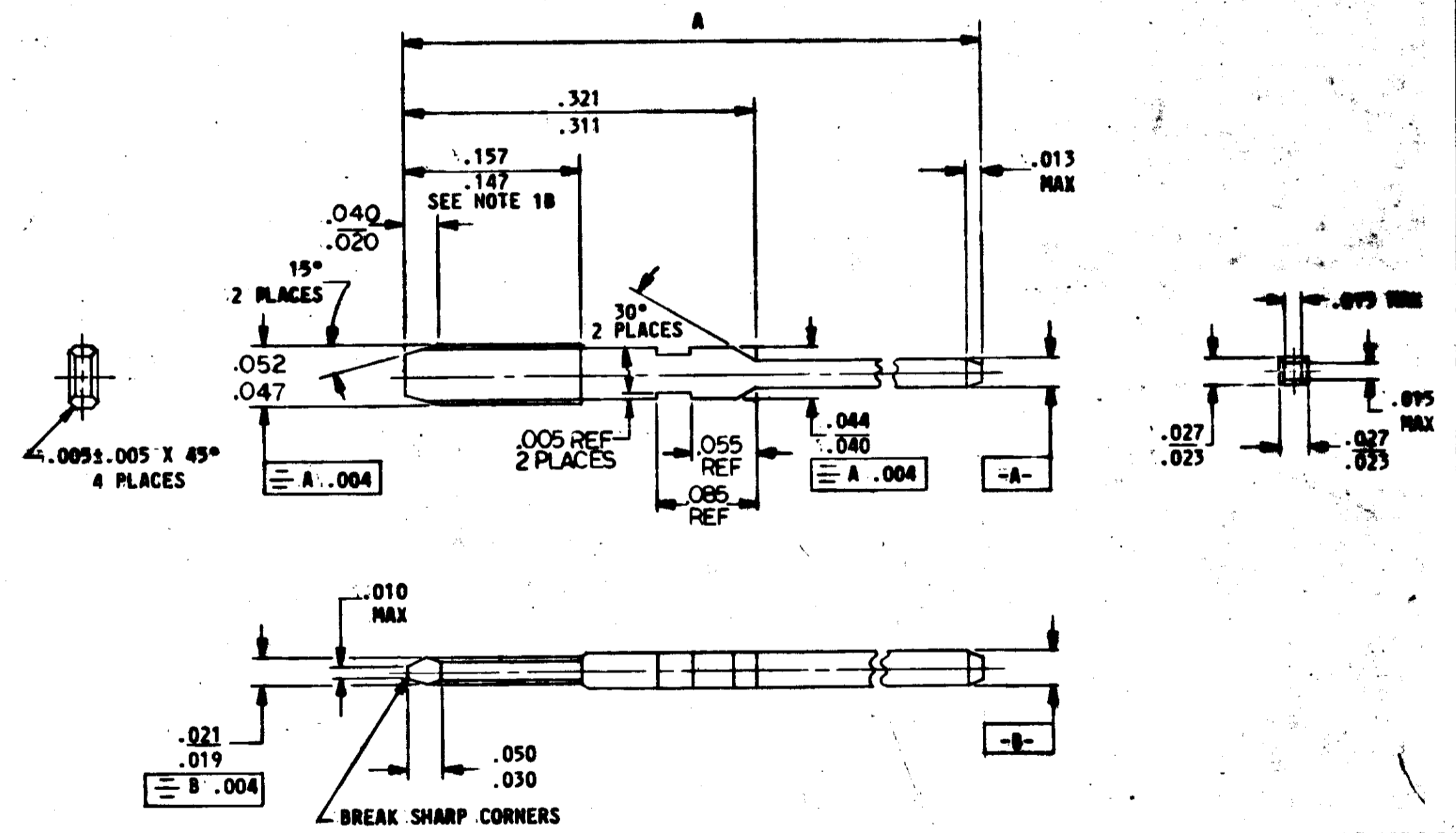
NOTES:

REQUIREMENTS:

1. MATERIAL: NICKEL (INTERNATIONAL NICKEL CO., HUNTINGTON ALLOY #200.
2. FINISH: GOLD PLATING, .000050 MINIMUM THICKNESS PER MIL-G-45204, TYPE II AT CONTACT AREA.
3. SUPPLIER SHALL CONFORM TO THE QUALITY ASSURANCE PROVISIONS SPECIFIED IN NASA DOCUMENT NO 1015404 CLASS 3.
4. INTERPRET DRAWING IN ACCORDANCE WITH STANDARDS PRESCRIBED BY MIL-D-70327.
5. MARKING: PACKAGING OF PARTS SHALL BE MARKED IN ACCORDANCE WITH MIL-STD-129, BOTH INTERNALLY AND EXTERNALLY WITH THE NASA DRAWING NUMBER, REVISION LETTER AND DASH NUMBER, THE SUPPLIER'S NAME, AND NUMBER OF UNITS CONTAINED IN EACH PACKAGE.

1006782

SYM	DESCRIPTION	DATE	APPROVAL
	ORIGINATED		
A	REVISED PER TDRR 00290	2-23-63	[Signature]
B	REVISED PER TDRR 00350	2-6-63	[Signature]
C	REVISED PER TDRR 00561	3-13-63	[Signature]
D	REVISED PER TDRR 01164	5-8-63	[Signature]
E	REVISED PER TDRR 02392	9-1-63	[Signature]
F	REVISED PER TDRR 02817	8/24/63	[Signature]
G	REVISED PER TDRR 03513	30 Oct 63	[Signature]
H	REVISED PER TDRR 04695	1/14/63	[Signature]
J	REVISED PER TDRR 06428	2/10/63	[Signature]
K	REVISED PER TDRR 08007	28 APR 64	[Signature]
L	REVISED PER TDRR 10267	4/2/64	[Signature]



DASH NO.	DIM
1	.413 .483
2	.843 .833
3	.555 .545
4	1.317 1.307
5	1.412 1.402
6	.460 .450
7	1.612 1.602

PROCURE ONLY FROM APPROVED SOURCES LISTED ON ND1002034 FOR THIS DRAWING.

NOTES:

UNLESS OTHERWISE SPECIFIED DIMENSIONS ARE IN INCHES	QTY REQD	PART OR IDENTIFYING NO.	NOMENCLATURE OR DESCRIPTION	FIND NO.
TOLERANCES ON FRACTIONS DECIMALS ANGLES ± ± ±	LIST OF MATERIALS			
DO NOT SCALE THIS DRAWING	MIT INSTRUMENTATION LAB CAMBRIDGE, MASS. CONTRACT			
MATERIAL SEE NOTES	DRAWN [Signature] DATE 9/2/62 CHECKED [Signature] 14 DEC 62 APPROVAL [Signature]			
HEAT TREATMENT SEE NOTES	NASA APPROVAL [Signature] 11-20-62			
FINAL FINISH SEE NOTES	MIT APPROVAL [Signature]			
NEXT ASSY	USED ON	CODE IDENT NO.	SIZE	NASA DRAWING NO.
APPLICATION			C	1006782
		SCALE	NONE	WT
				SHEET 1 OF 1

NOTES:

INCHES