

NOTICE - WHEN GOVERNMENT DRAWINGS, SPECIFICATIONS, OR OTHER DATA ARE USED FOR ANY PURPOSE OTHER THAN IN CONNECTION WITH A DEFINITELY RELATED GOVERNMENT PROCUREMENT OPERATION, THE UNITED STATES GOVERNMENT THEREBY INCURS NO RESPONSIBILITY NOR ANY OBLIGATION WHATSOEVER, AND THE FACT THAT THE GOVERNMENT MAY HAVE FORMULATED, FURNISHED, OR IN ANY WAY SUPPLIED THE SAID DRAWINGS, SPECIFICATIONS OR OTHER DATA IS NOT TO BE REGARDED BY IMPLICATION OR OTHERWISE AS IN ANY MANNER LICENSING THE HOLDER OR ANY OTHER PERSON OR CORPORATION, OR CONVEYING ANY RIGHTS OR PERMISSION TO MANUFACTURE, USE, OR SELL ANY PATENTED INVENTION THAT MAY IN ANY WAY BE RELATED THERETO.

NOTES:

REQUIREMENTS:

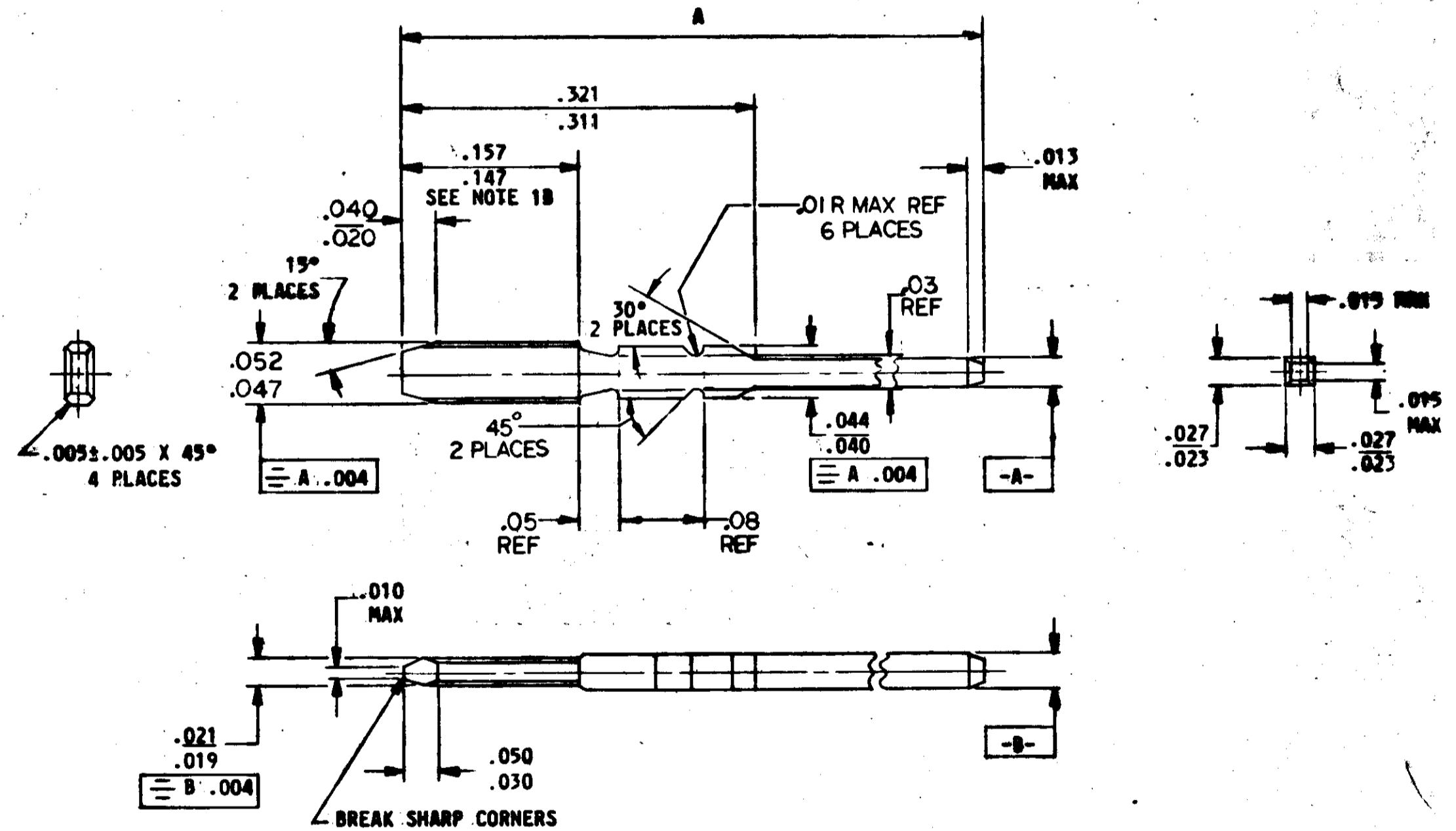
- A. MATERIAL: NICKEL (INTERNATIONAL NICKEL CO., HUNTINGTON ALLOY #200, HALF HARD, HARDNESS ROCKWELL "B" 75-90.
- B. FINISH: GOLD PLATING, .000050 MINIMUM THICKNESS PER MIL-G-45204, TYPE II AT CONTACT AREA.
- C. CERTIFICATE OF COMPLIANCE WITH THE MATERIAL AND FINISH REQUIREMENTS SHALL ACCOMPANY EACH SHIPMENT.
- D. SUPPLIER SHALL CONFORM TO THE QUALITY ASSURANCE PROVISIONS SPECIFIED IN NASA DOCUMENT NO 1015404 CLASS 3.

2. INTERPRET DRAWING IN ACCORDANCE WITH STANDARDS PRESCRIBED BY MIL-D-70327.
3. MARKING: PACKAGING OF PARTS SHALL BE MARKED IN ACCORDANCE WITH MIL-STD-129, BOTH INTERNALLY AND EXTERNALLY WITH THE NASA DRAWING NUMBER, REVISION LETTER AND DASH NUMBER, THE SUPPLIER'S NAME, AND NUMBER OF UNITS CONTAINED IN EACH PACKAGE.

N 1006782

REVISIONS TO DR 1006782 12-20-62

SYM	DESCRIPTION	DATE	APPROVAL
	ORIGINATED		
A	REVISED PER TDRR 00290	2-23-63	WJ
B	REVISED PER TDRR 00350	2-6-63	WJ
C	REVISED PER TDRR 00561	3-13-63	WJ
D	REVISED PER TDRR 01164	5-8-63	WJ
E	REVISED PER TDRR 02392	9-1-63	WJ
F	REVISED PER TDRR 02817	8-28-63	WJ
G	REVISED PER TDRR 03513	3-0-63	WJ
H	REVISED PER TDRR 04695	1-24-63	WJ
J	REVISED PER TDRR 06428	2-8-64	WJ
K	REVISED PER TDRR 08007	2-8-64	WJ
L	REVISED PER TDRR 10267	4-2-64	WJ
M	REVISED PER TDRR 12307	9-1-64	WJ
N	REVISED PER TDRR 17916	4-1-65	WJ



DASH NO.	DIM
1	.413 .403
2	.843 .833
3	.555 .545
4	1.317 1.307
5	1.412 1.402
6	.460 .450
7	1.612 1.602

PROCURE ONLY FROM APPROVED SOURCES LISTED ON ND1002034 FOR THIS DRAWING.

NOTES

QTY REQD	PART OR IDENTIFYING NO.	NOMENCLATURE OR DESCRIPTION	FIND NO.
LIST OF MATERIALS			
MIT INSTRUMENTATION LAB CAMBRIDGE, MASS.		MANNED SPACECRAFT CENTER HOUSTON, TEXAS	
DRAWN <i>Ray Weeks</i> DATE <i>4 Dec 62</i> CHECKED <i>W. Hayward</i> 14 DEC 62 APPROVAL <i>W. Hayward</i> APPROVAL <i>W. Hayward</i>		<b>CONTACT, WRAPOST-MALE, MINIATURE SPECIFICATION CONTROL DRAWING</b>	
UNLESS OTHERWISE SPECIFIED DIMENSIONS ARE IN INCHES TOLERANCES ON FRACTIONS    DECIMALS    ANGLES ±                    ±                    ± DO NOT SCALE THIS DRAWING MATERIAL <b>SEE NOTES</b> HEAT TREATMENT <b>SEE NOTES</b> FINAL FINISH <b>SEE NOTES</b>		NASA APPROVAL <i>W. Hayward</i> 12-20-62	CODE IDENT NO.    SIZE —                    C NASA DRAWING NO. <b>1006782</b>
NEXT ASSY	USED ON	MIT APPROVAL <i>W. Hayward</i>	SCALE NONE    WT    SHEET 1 OF 1
APPLICATION			