

NOTICE - WHEN GOVERNMENT DRAWINGS, SPECIFICATIONS, OR OTHER DATA ARE USED FOR ANY PURPOSE OTHER THAN IN CONNECTION WITH A DEFINITELY RELATED GOVERNMENT PROCUREMENT OPERATION, THE UNITED STATES GOVERNMENT HEREBY INCURS NO RESPONSIBILITY NOR ANY OBLIGATION WHATSOEVER, AND THE FACT THAT THE GOVERNMENT MAY HAVE FORMULATED, FURNISHED, OR IN ANY WAY SUPPLIED THE SAID DRAWINGS, SPECIFICATIONS OR OTHER DATA IS NOT TO BE REGARDED BY IMPLICATION OR OTHERWISE AS AN AUTHORITY LICENSING THE HOLDER OR ANY OTHER PERSON OR CORPORATION, OR CONFERRING ANY RIGHTS OR PERMISSION TO MANUFACTURE, USE, OR SELL ANY PATENTED INVENTION THAT MAY IN ANY WAY BE RELATED THERETO.

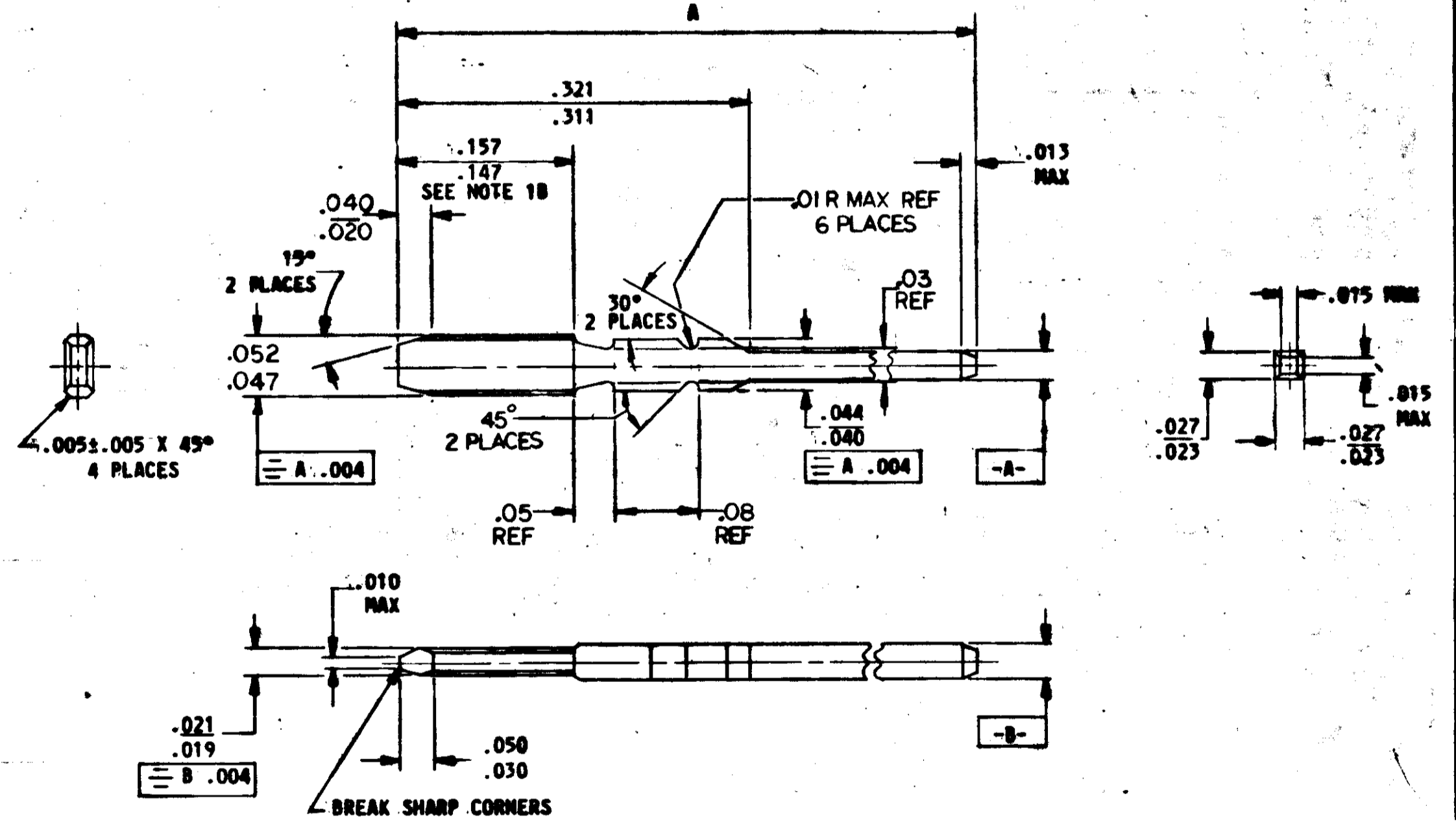
NOTES:

- REQUIREMENTS: MATERIAL: (SEE TABLE)
 - NICKEL (INTERNATIONAL NICKEL CO. HUNTINGTON ALLOY #200, HALF HARD, HARDNESS ROCKWELL "B" 75-90. (HARDNESS OF STRIP FROM WHICH PARTS ARE FABRICATED.)
 - BRASS PER QQ-B-613 COMPOSITION 2, SPRING (BASE MATERIAL BEFORE MANUFACTURING)
 - FINISH: GOLD PLATING, .000050 MINIMUM THICKNESS PER MIL-6-45204, TYPE II AT CONTACT AREA
 - A STRIP OF MATERIAL AND A CERTIFICATE OF COMPLIANCE WITH THE MATERIAL AND FINISH REQUIREMENTS SHALL ACCOMPANY EACH SHIPMENT.
 - SUPPLIER SHALL CONFORM TO THE QUALITY ASSURANCE PROVISIONS SPECIFIED IN NASA DOCUMENT NO 1015404 CLASS 3
- INTERPRET DRAWING IN ACCORDANCE WITH STANDARDS PRESCRIBED BY MIL-D-70327.
 - MARKING: PACKAGING OF PARTS SHALL BE MARKED IN ACCORDANCE WITH MIL-STD-129, BOTH INTERNALLY AND EXTERNALLY WITH THE NASA DRAWING NUMBER, REVISION LETTER AND DASH NUMBER, THE SUPPLIER'S NAME, AND NUMBER OF UNITS CONTAINED IN EACH PACKAGE.

S 2829001

SYM	DESCRIPTION	DATE	APPROVAL
	ORIGINATED		
A	REVISED PER TDRR 00290	2-23-63	WJK
B	REVISED PER TDRR 00350	2-6-63	WJK
C	REVISED PER TDRR 00561	3-13-63	WJK
D	REVISED PER TDRR 01164	5-8-63	WJK
E	REVISED PER TDRR 02392	9-1-63	WJK
F	REVISED PER TDRR 02817	8-28-63	WJK
G	REVISED PER TDRR 03513	30 Oct 63	WJK
H	REVISED PER TDRR 04695	11/24/63	WJK
J	REVISED PER TDRR 06428	28 Feb 64	WJK
K	REVISED PER TDRR 08007	28 APR 64	WJK
L	REVISED PER TDRR 10267	4/27/64	WJK
M	REVISED PER TDRR 12307	9-1-64	WJK
N	REVISED PER TDRR 17916	4/21/65	WJK
P	REVISED PER TDRR 18749	5/18/65	WJK
R	REVISED PER TDRR 21588	5/12/65	WJK
S	REVISED PER TDRR 25133	1/18/66	WJK

DASH NO.	DIM A	MATERIAL
1	.413 .403	NICKEL
2	.843 .833	NICKEL
3	.555 .545	NICKEL
4	1.317 1.307	NICKEL
5	1.412 1.402	NICKEL
6	1.460 1.450	NICKEL
7	1.612 1.602	NICKEL
8	1.070 1.060	NICKEL
9	2.500 2.490	BRASS
10	2.475 2.465	BRASS
11	1.167 1.157	NICKEL
12	2.500 2.490	NICKEL



NOTES

	UNLESS OTHERWISE SPECIFIED DIMENSIONS ARE IN INCHES
	TOLERANCES ON FRACTIONS DECIMALS ANGLES
	± ± ±
	DO NOT SCALE THIS DRAWING
	MATERIAL SEE NOTES
	HEAT TREATMENT SEE NOTES
	FINAL FINISH SEE NOTES
NEXT ASSY	USED ON
APPLICATION	

QTY REQD	PART OR IDENTIFYING NO.	NOMENCLATURE OR DESCRIPTION	FIG. NO.
		LIST OF MATERIALS	
	MIT INSTRUMENTATION LAB CAMBRIDGE, MASS.	MANNED SPACECRAFT CENTER HOUSTON, TEXAS	
	DRAWN <i>Ray Wheeler</i> DATE 4 Dec 62 CHECKED <i>J. Hayward</i> 14 Dec 62 APPROVAL <i>Joe Martin</i> APPROVAL <i>J. Duggan</i>	CONTACT, WRAPOST-MALE, MINIATURE SPECIFICATION CONTROL DRAWING	
	NASA APPROVAL <i>W. J. Rhea</i> 11-20-62	CODE IDENT NO.	NASA DRAWING NO.
	MIT APPROVAL <i>20 Dec 62</i>	—	1006782
		SCALE NONE	SHEET 1 OF 1

PROCURE ONLY FROM APPROVED SOURCES LISTED ON MD1002034 FOR THIS DRAWING.

NOTES