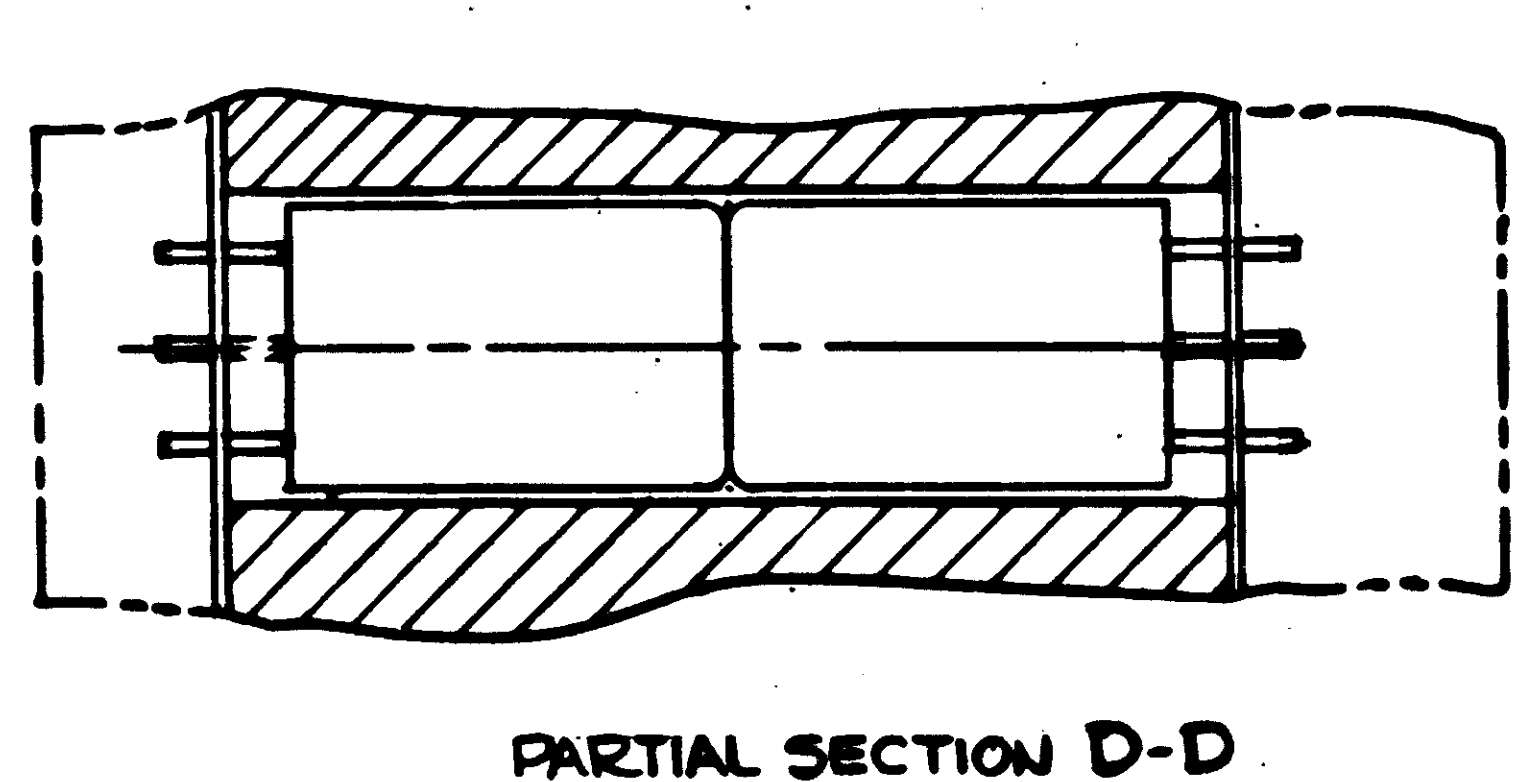
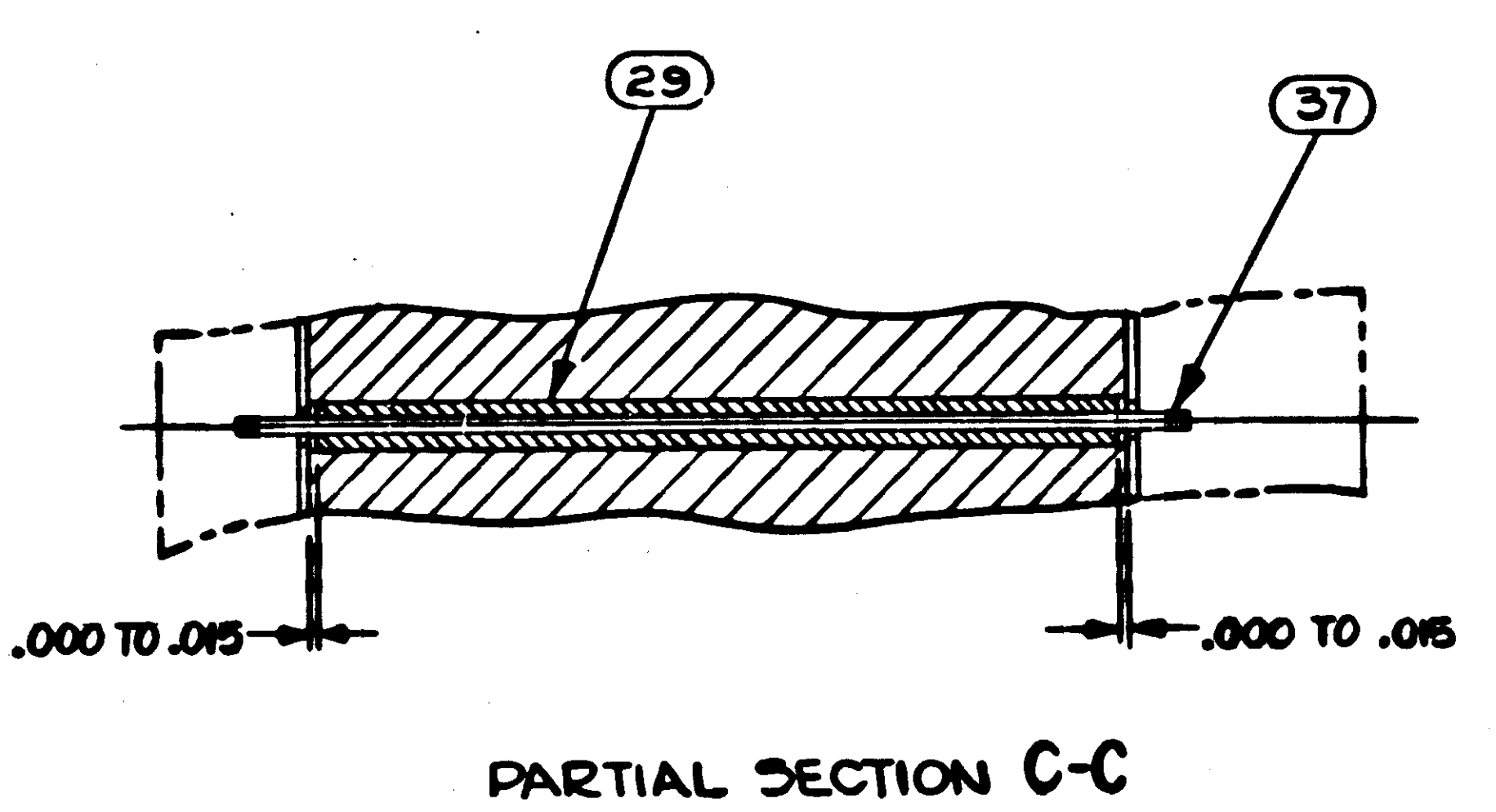
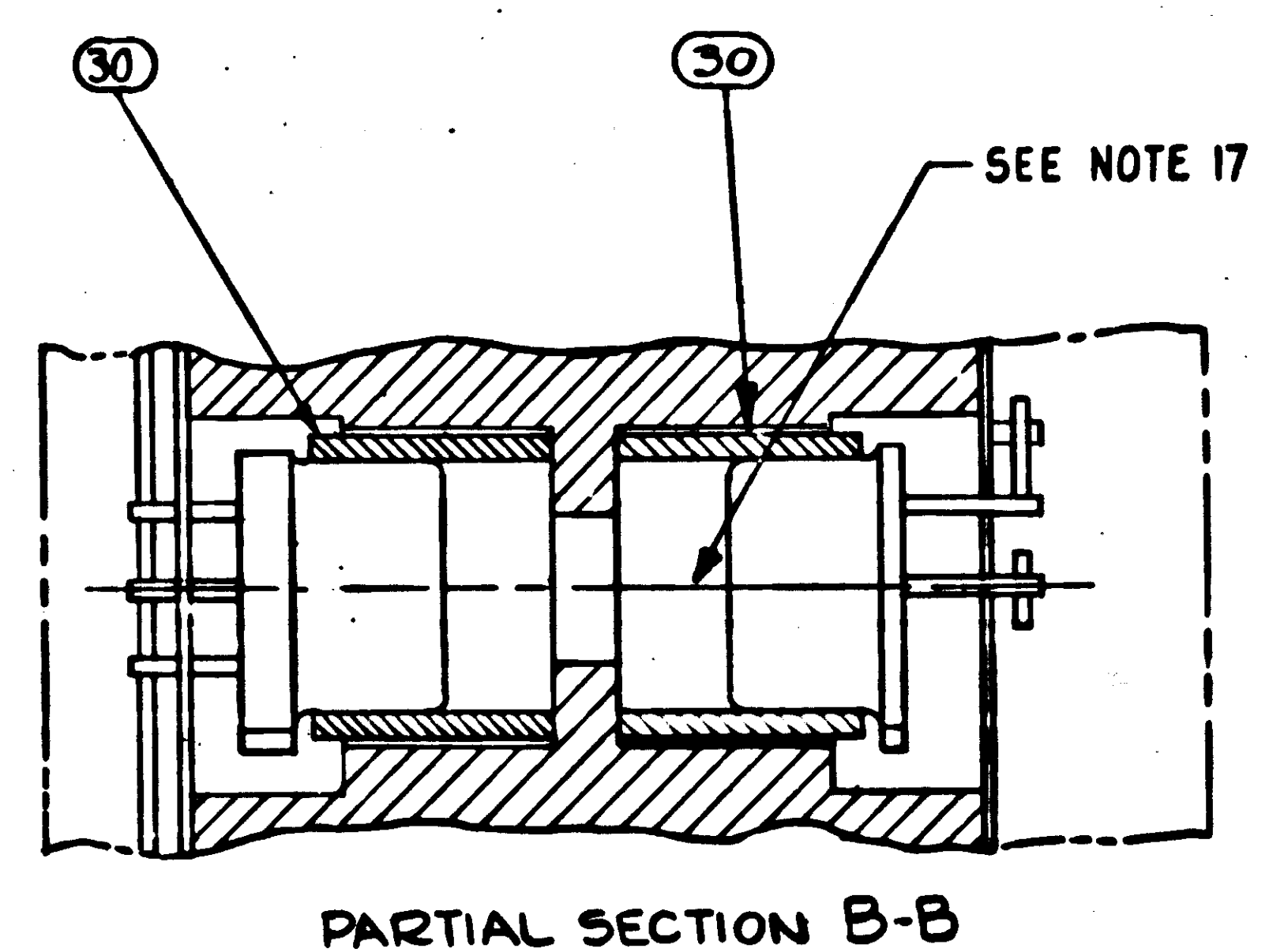
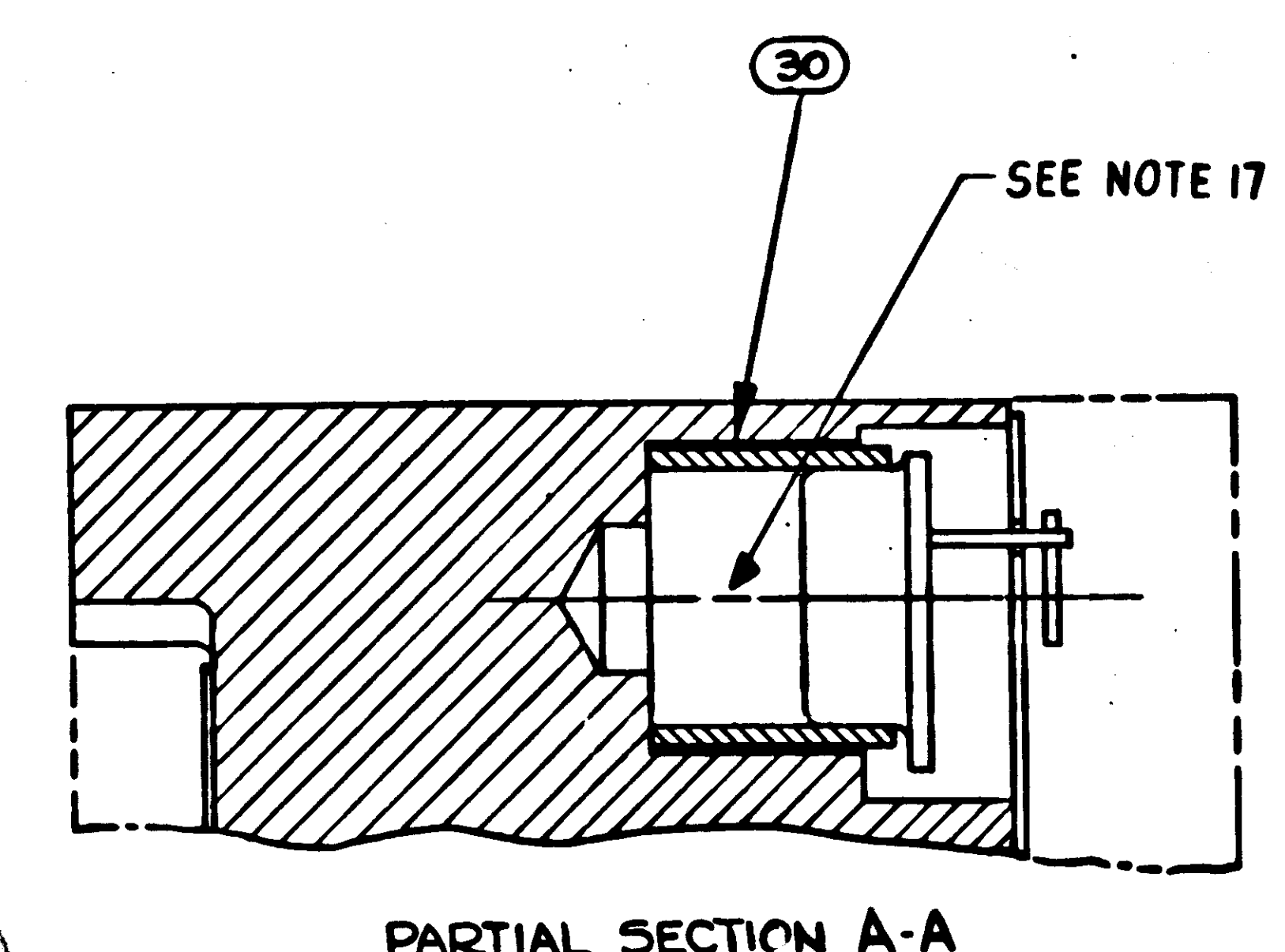
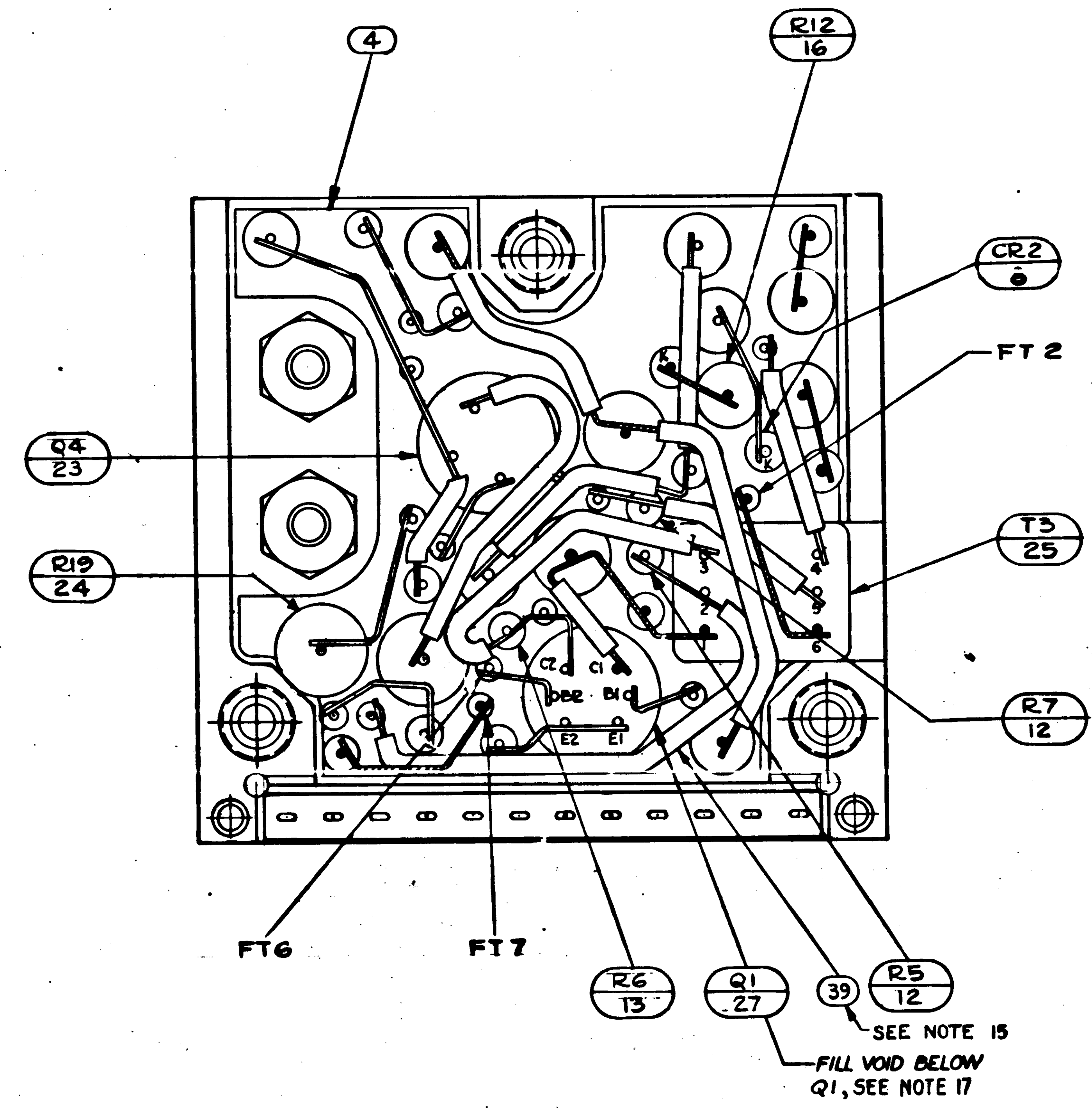
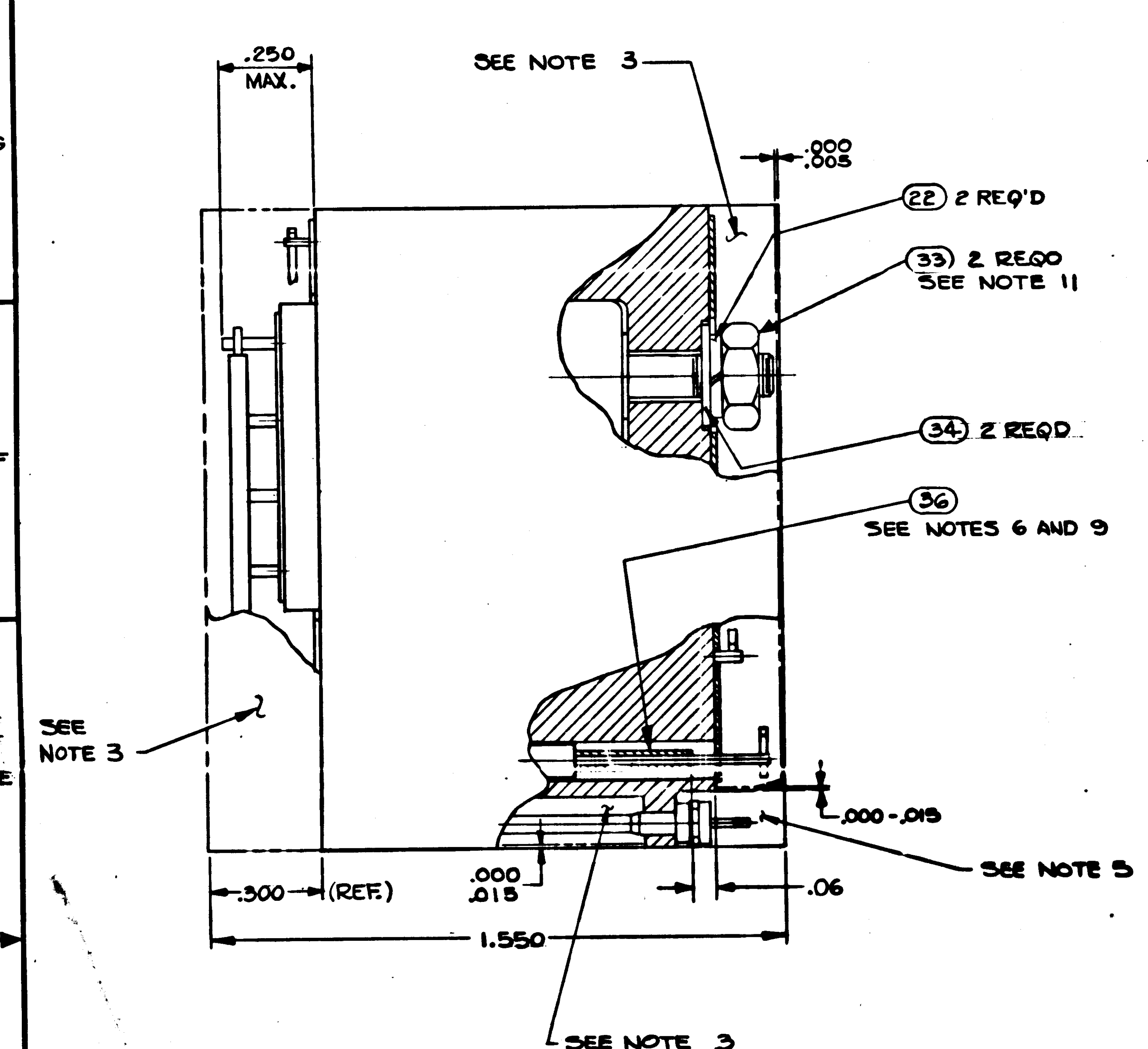




REVISIONS 1223			
NO.	DESCRIPTION	DATE	APPD.



UNLESS OTHERWISE SPECIFIED DIMENSIONS ARE IN INCHES TOLERANCES ON	AC SPARK PLUG DIVISION, GAC	ISSUED
	PLUMBING DIVISION	SPACECRAFT CENTER
FRACTIONS DECIMALS ANGLES	ACSP PL	HOUSTON, TEXAS
+ - - - -	DESIGN: <i>Chapel</i> 11/20/64	GIMBAL COARSE ALIGN AMPLIFIER MODULE ASSY
DO NOT SCALE THIS DRAWING	CHECKED: <i>W. J. ...</i> 11/20/64	
APPROVAL: <i>[Signature]</i>	DATE: 11/20/64	E 1007541
CONTRACT NAS 9-497	SCALE 5:1	

B 1007541