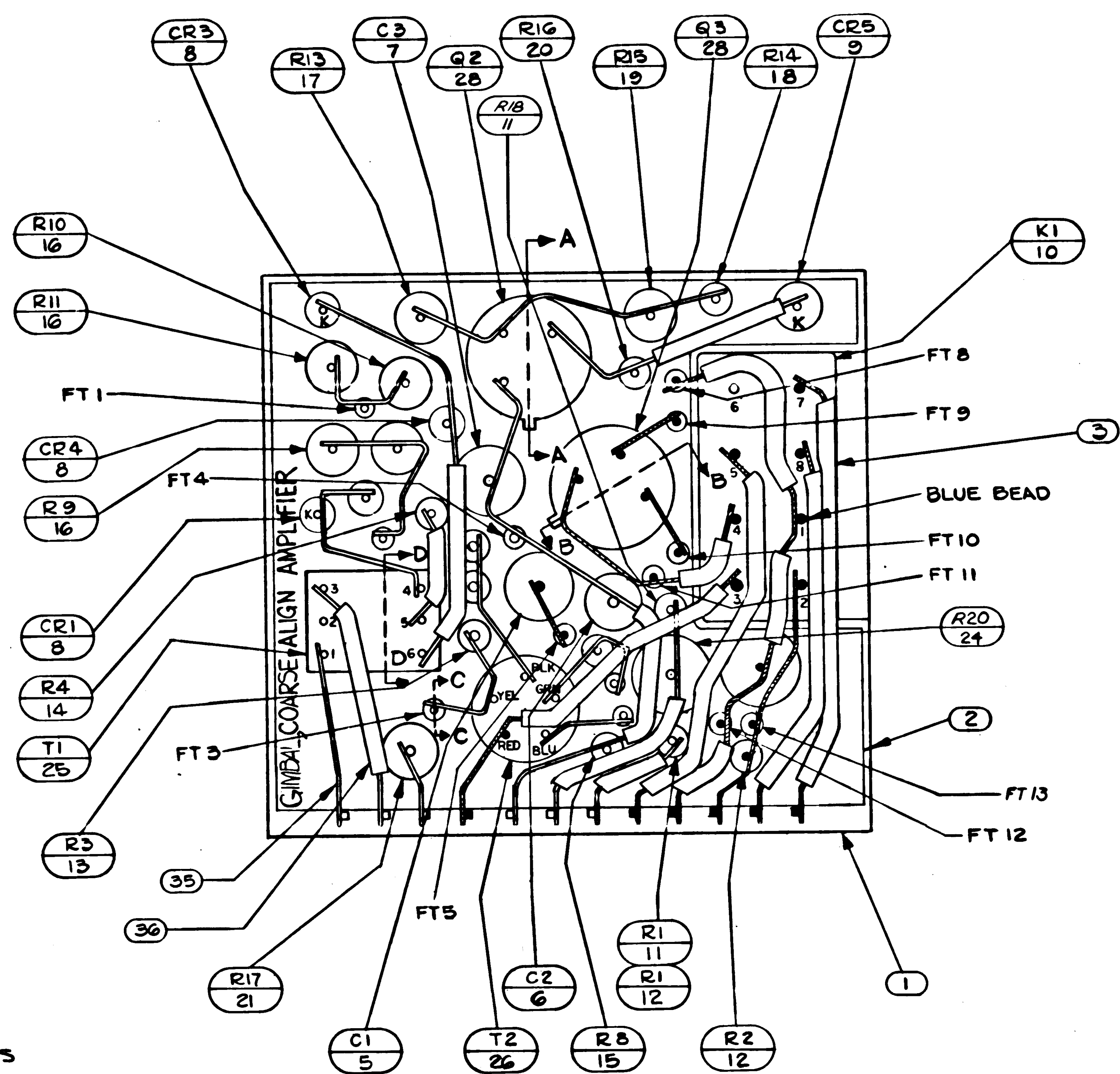
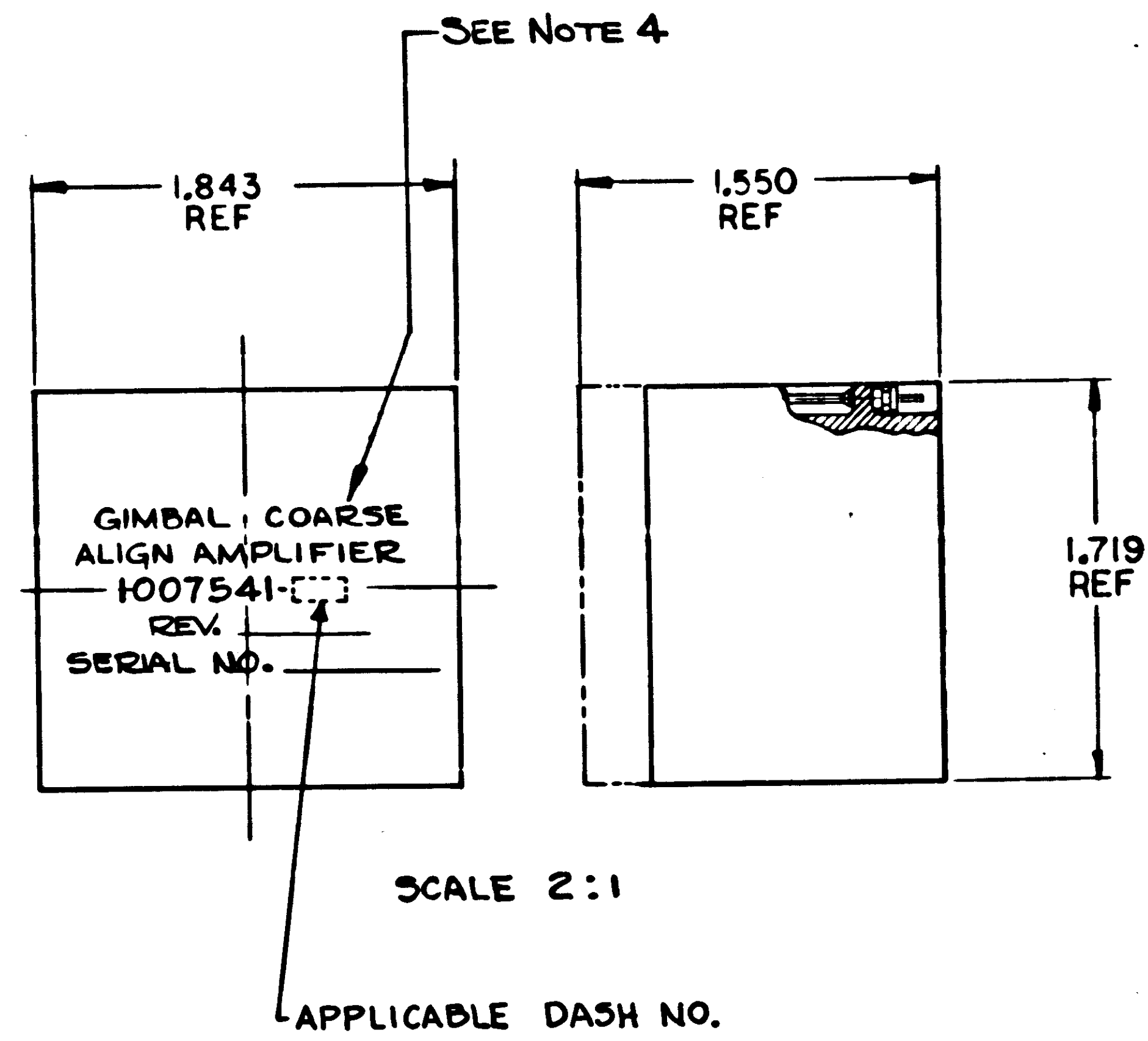
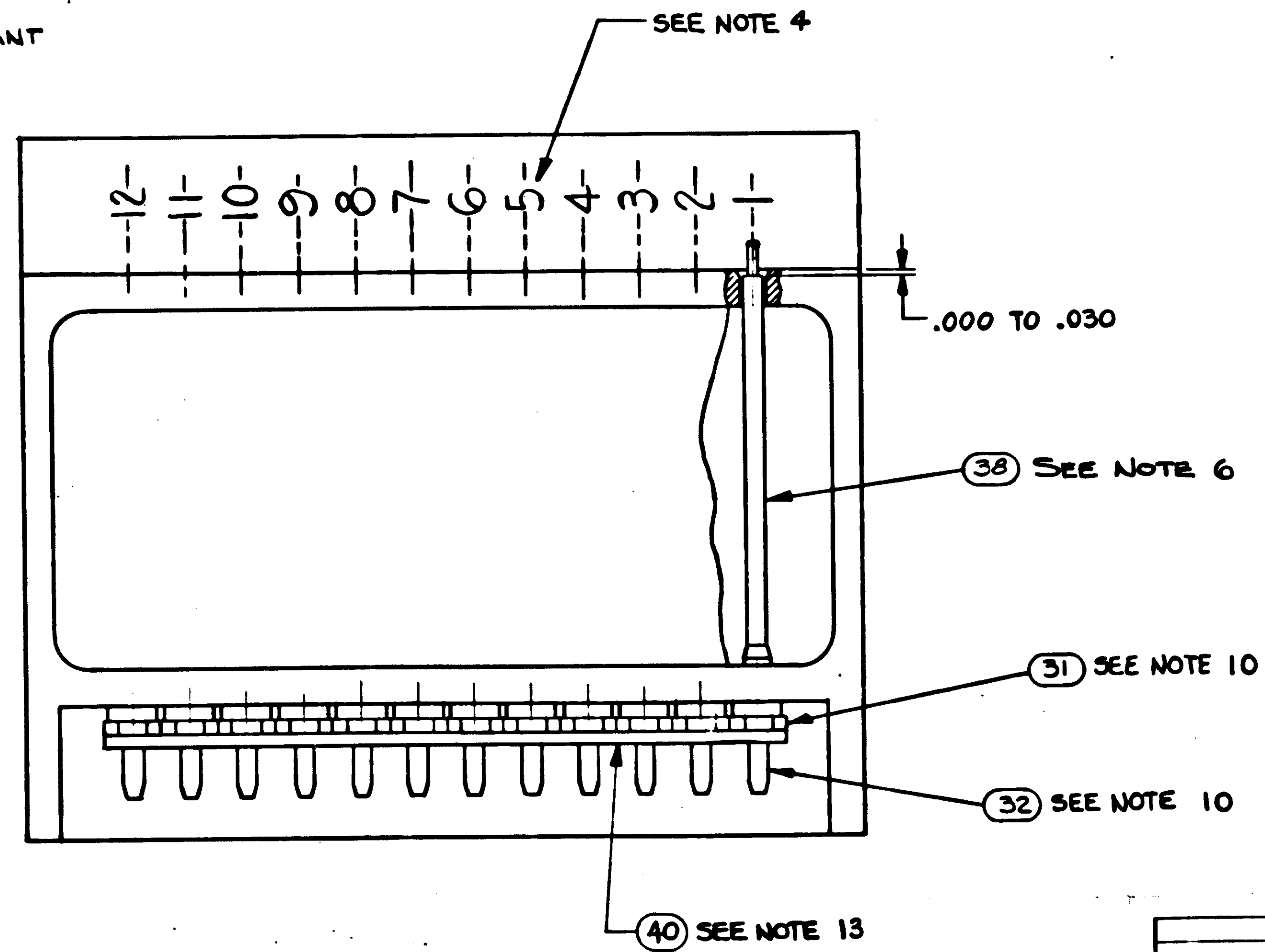


REVISIONS				
SYM	ZONE	DESCRIPTION	DATE	APPR
A		REVISED PART DRA. 17551	1 MAR 65	GM



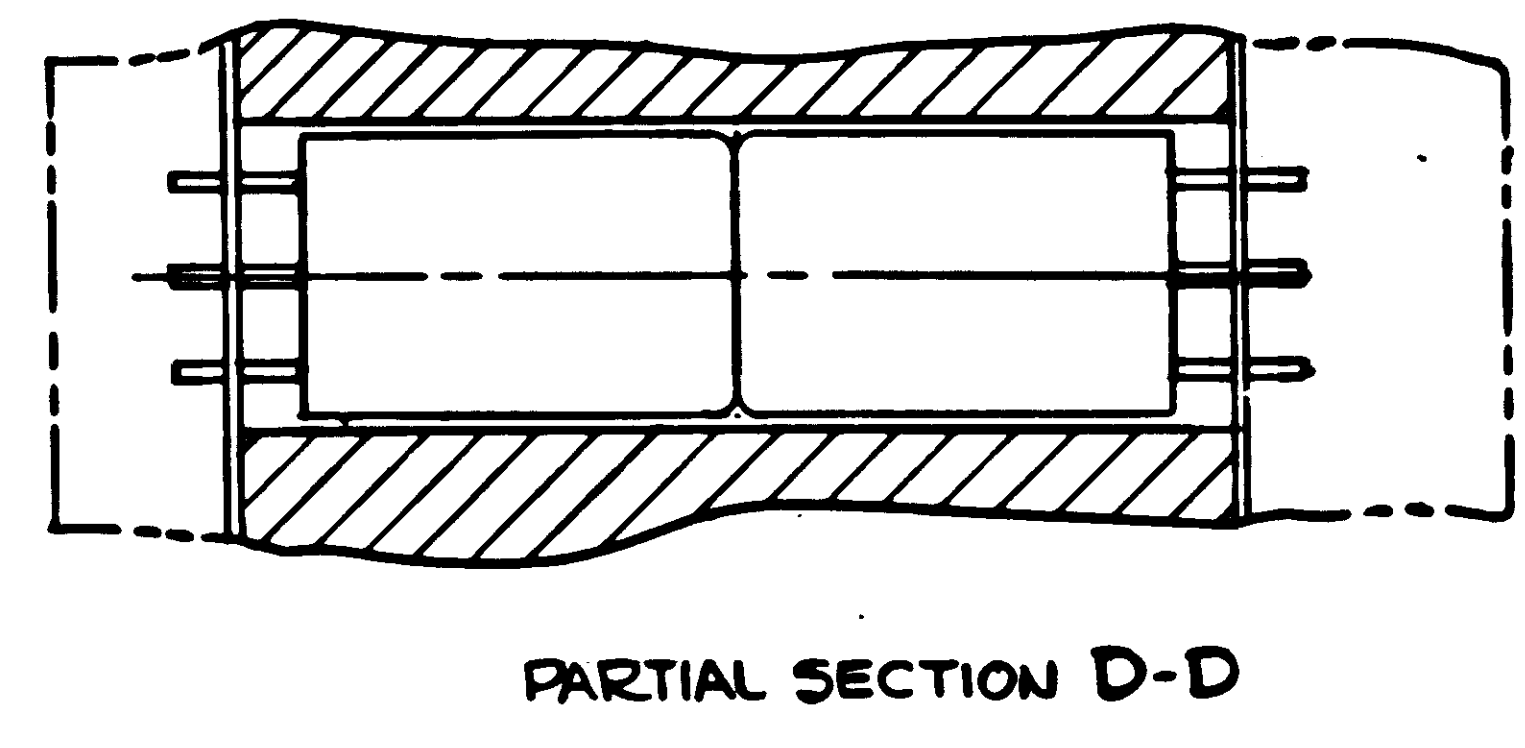
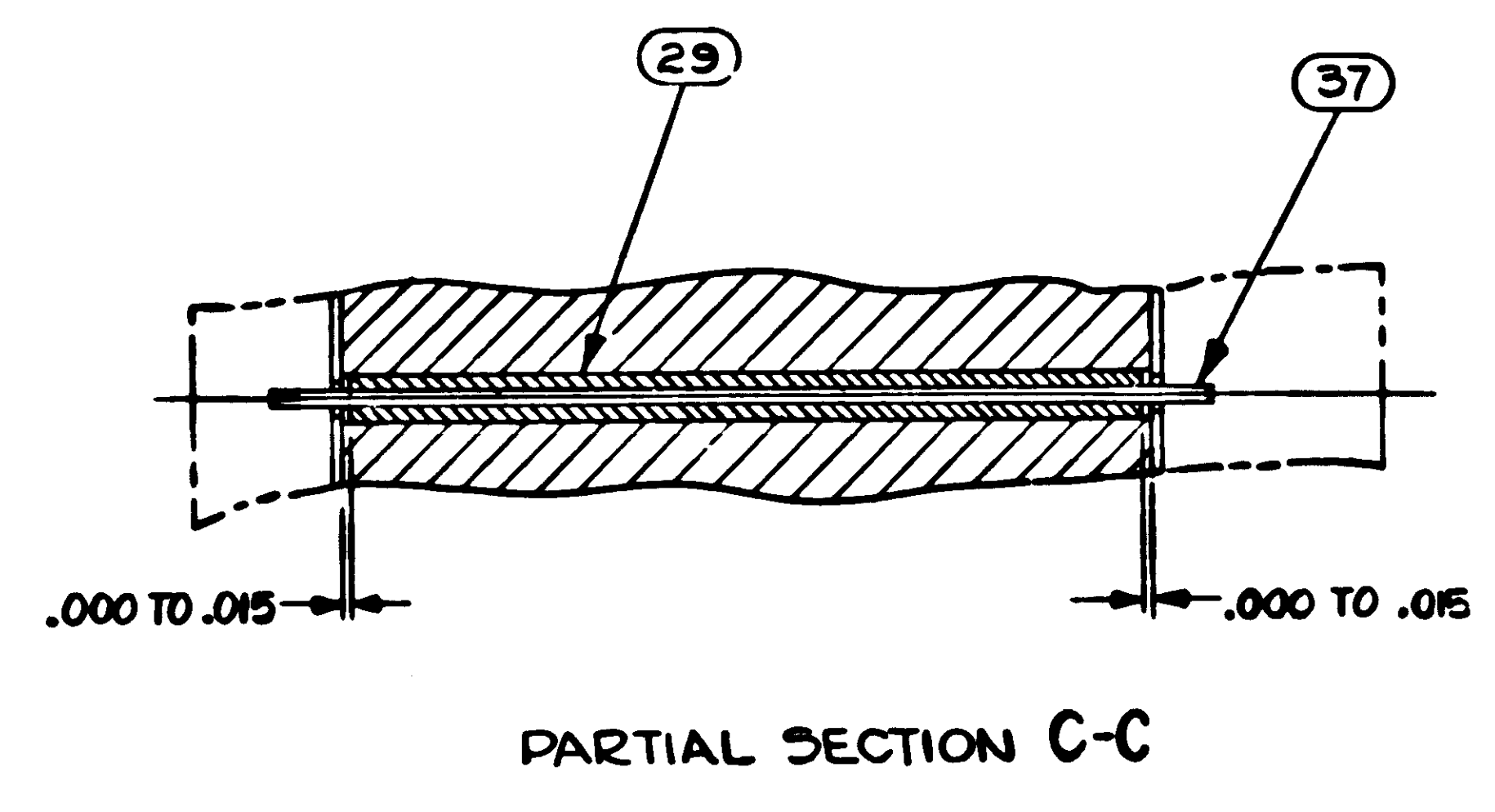
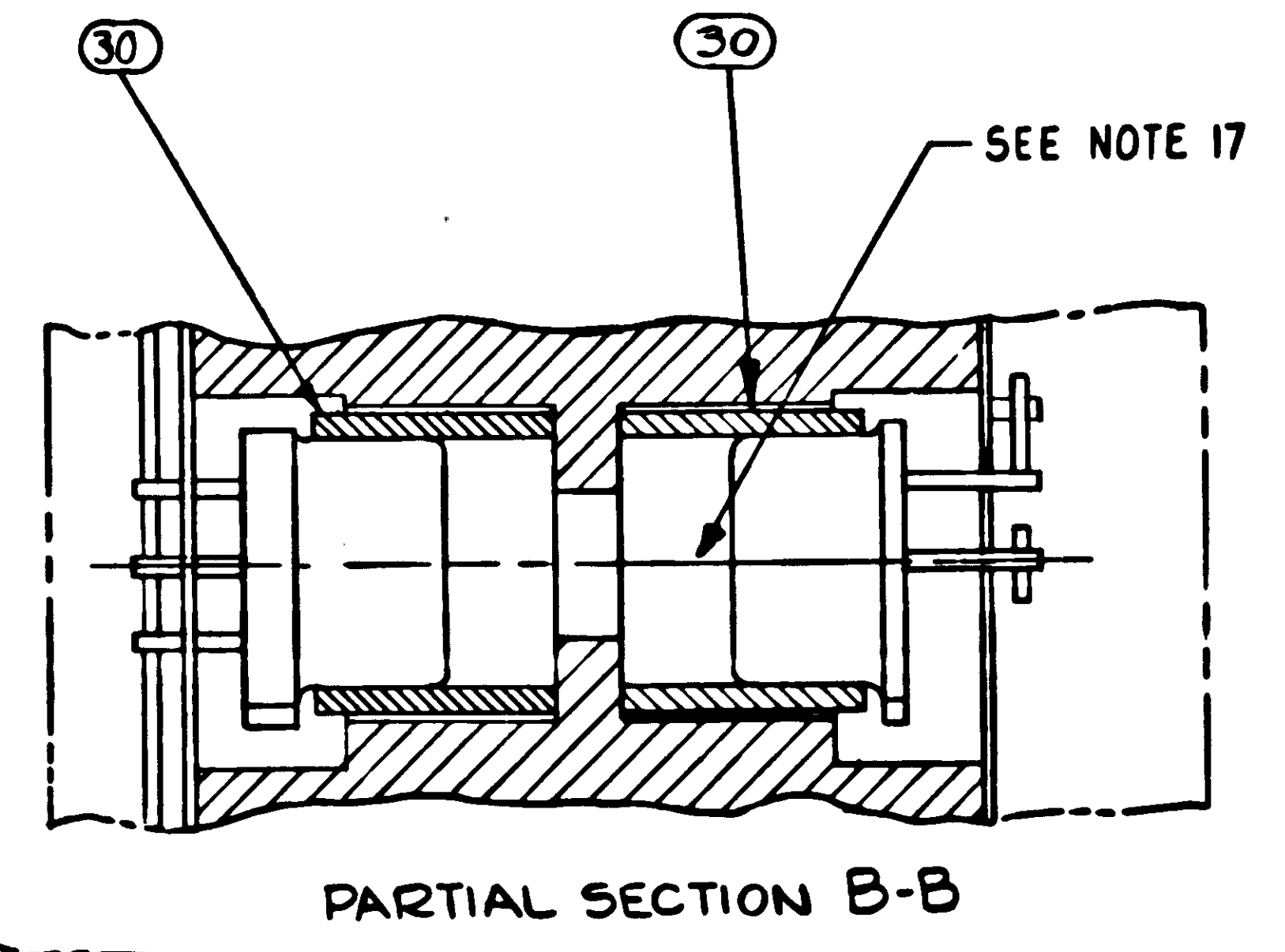
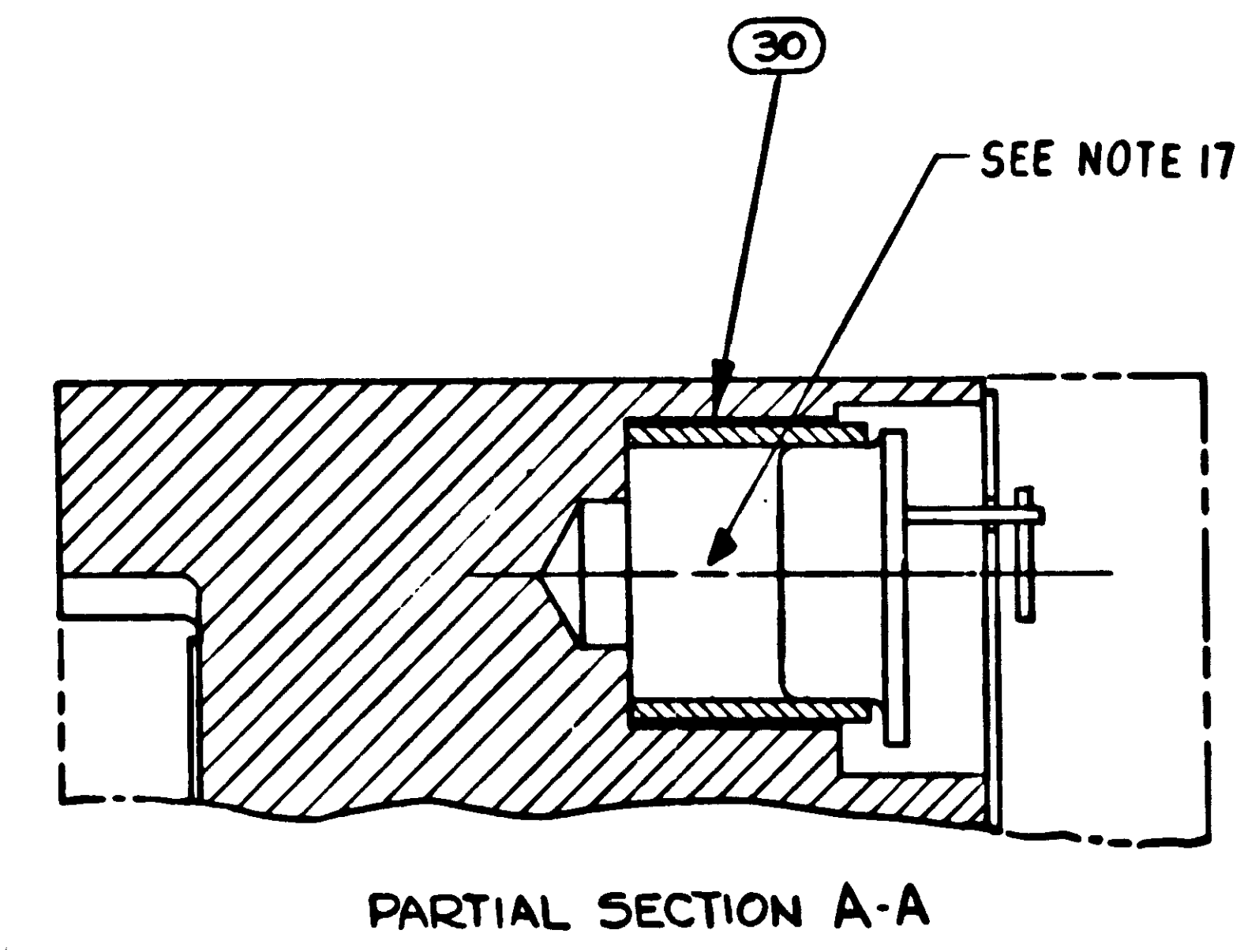
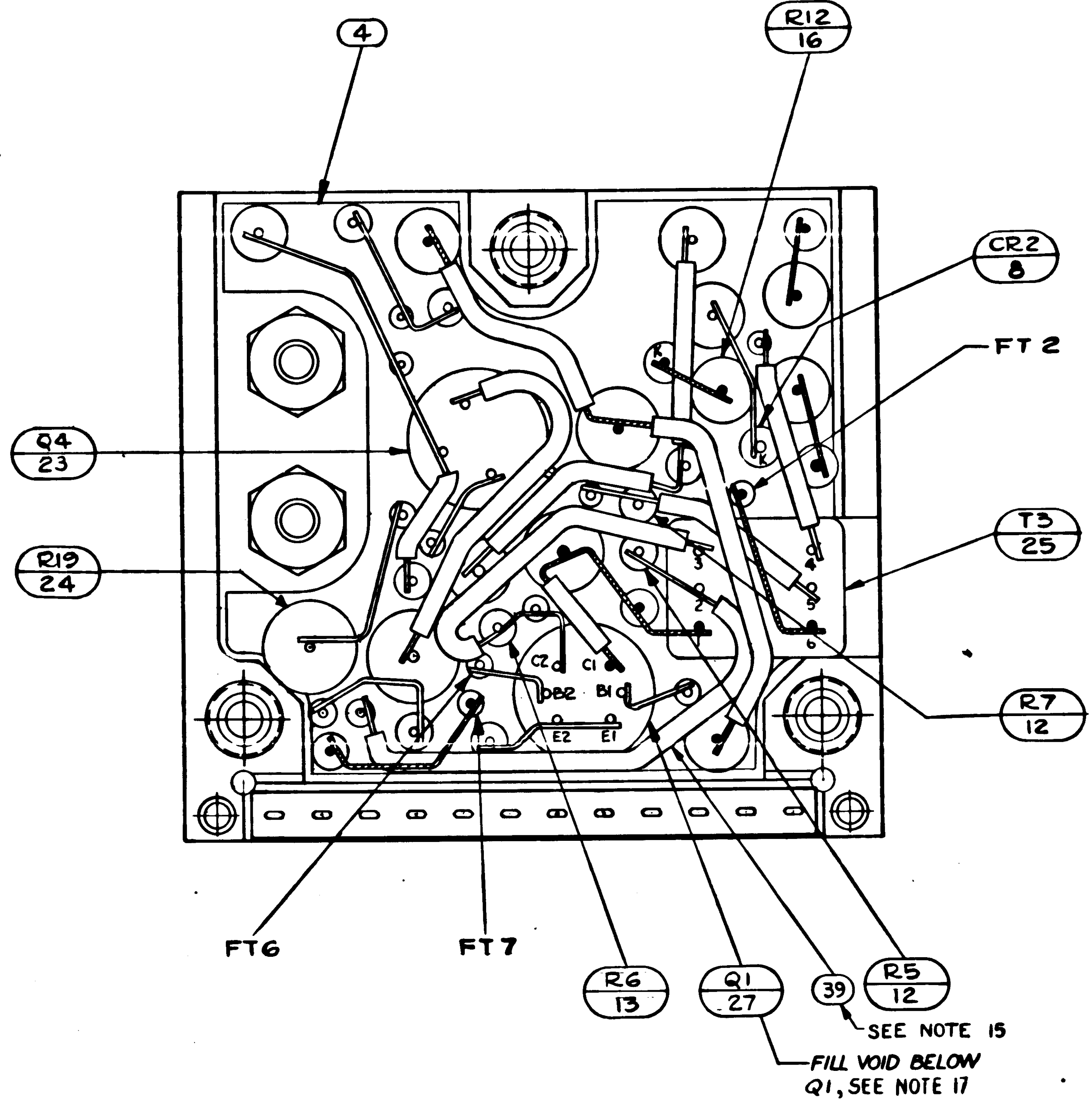
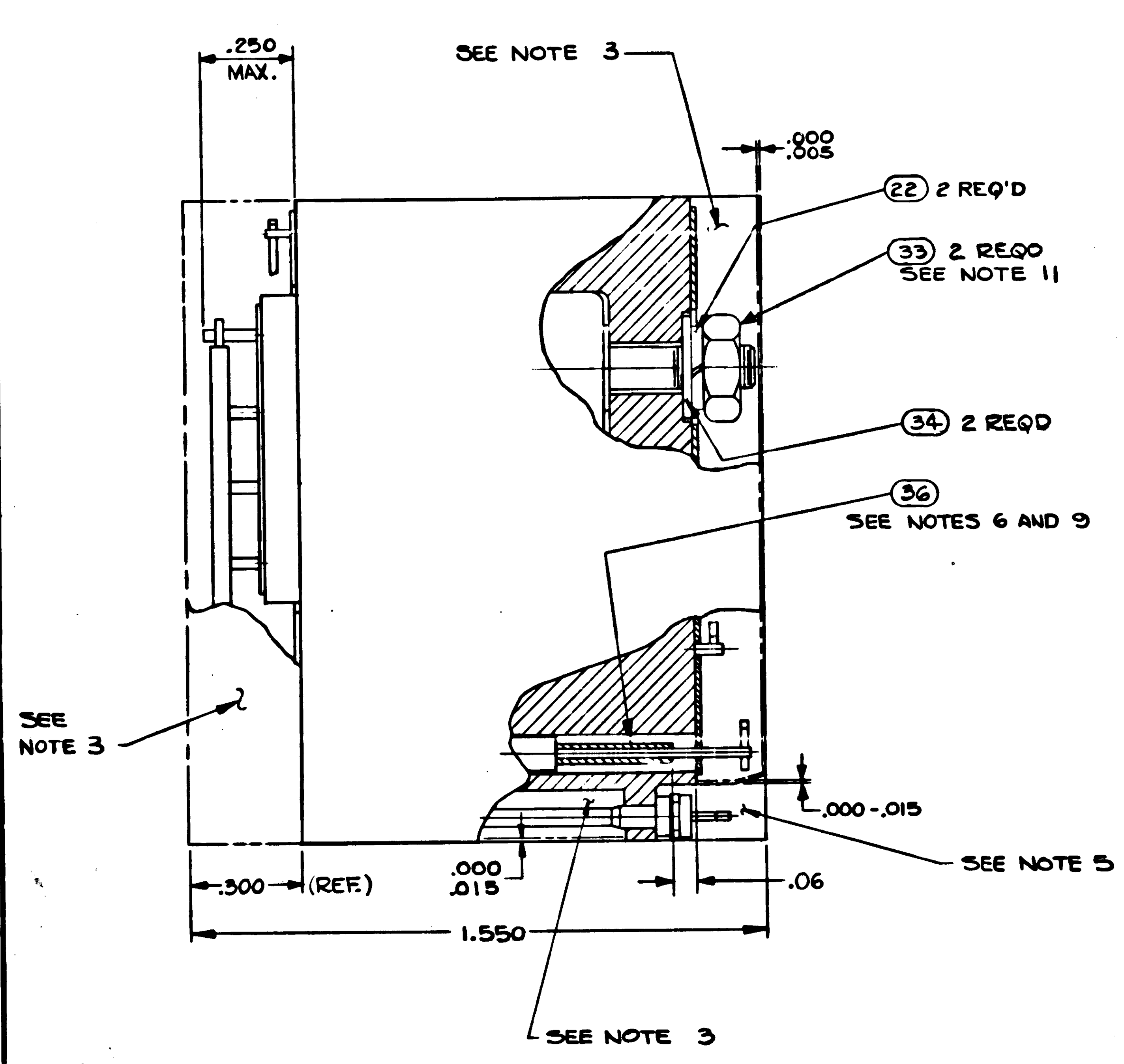
- INTERPRET DRAWING IN ACCORDANCE WITH STANDARDS PRESCRIBED BY MIL-D-70327.
- UNLESS OTHERWISE SPECIFIED: WIRING SHALL MEET THE REQUIREMENTS OF ND 1002069.
- ENCAPSULATE MODULE PER ND1002002 (BLACK POLYURETHANE FOAM) UNLESS OTHERWISE SPECIFIED PERIPHERAL ENCAPSULANT DIMENSIONS MAY EXCEED THE NOMINAL HEATSINK WIDTH AND LENGTH DIMENSIONS BY A MAXIMUM OF .005. WHEN THE HEATSINK OUTLINE EXCEEDS THE ENCAPSULANT OUTLINE, THE MAXIMUM DIMENSION BETWEEN ANY HEATSINK SURFACE AND ITS RESPECTIVE ENCAPSULANT SURFACE SHALL NOT EXCEED .015. REMOVE ALL FLASHING.
- MARK PIN NUMBERS .100 HIGH (WHITE) AND ALL OTHER CHARACTERS .140 HIGH (WHITE) PER ND 1002019 AND SERIALIZE PER ND 1002023. CENTRALIZE AS SHOWN.
- AREA TO BE FREE OF ENCAPSULATING COMPOUND
- USE AS REQUIRED
- ON ITEMS (2), (3) AND (4):
 K INDICATES CATHODE SIDE OF DIODE
 FT () INDICATES FEED THRU
 C INDICATES COLLECTOR LEAD OF TRANSISTOR
 B BASE
 E EMITTER
 C () COLLECTOR MULTI-STAGE TRANSISTOR
 E () BASE
 E () EMITTER
- WHITE DOT AND CLEAR WIRING INDICATES LOWER LEVEL WIRING. BLACK DOT AND CROSS-HATCHED WIRING INDICATES UPPER LEVEL WIRING.
- TYPICAL SLEEVING FOR CR1 THRU CR4, R1 THRU R8, R14, R16 AND R18
- MUST MEET REQUIREMENTS OF ND1002136
- TORQUE TO 4 ± 1 IN-LB FOR ASSY OF ITEM 10
- ALL CONNECTIONS TO BE MADE BY WELDING PER ND1002005
- BOND ITEM (40) TO ITEM (31) PER ND1002257.
- COMPONENTS TO BE CEMENTED IN PLACE PER ND 1002009 METHOD C AND CENTRALIZED
- USE MIL-I-631 TYPE F, FORM U, GRADE C, CLASS I, CATEGORY I, ONE PLACE ONLY. BOND IN PLACE PER ND1002004, TYPE I PROCEDURE PER PB 1007041.
- FILL PER ND 1002117
- BOND A .25 MIN. WIDE PERIMETER OF THE TOP AND BOTTOM INSULATORS TO THE HEATSINK AND COAT A .25 MIN. WIDE PERIMETER ON THE OUTSIDE SURFACE OF THE INSULATORS PER ND 1002187 TYPE I.



QTY	REF	DESCRIPTION	SCHEMATIC
	100023		SCHEMATIC
	1009524		SCHEMATIC
1	40	1008540-12	GASKET, CONNECTOR MINIATURE
AR	AR	39 MIL-I-631	INSULATION, SLEEVING 22 GA
AR	AR	38 1006776-20	INSULATION, SLEEVING
AR	AR	37 1006757-8	WIRE, ELEC.
AR	AR	36 1006776-21	INSULATION, SLEEVING
AR	AR	35 1006757-7	WIRE, ELEC.
2	2	34 1008070-5	WASHER- FLAT
2	2	33 MS20341-4A	NUT-HEX
12	12	32 1006782-5	CONTACT, WRAPOST MALE MINAT.
12	12	31 1006775	INSULATOR, WRAPOST MALE MINAT.
3	3	30 1008025-2	INSULATOR, BUSHING
AR	AR	29 1006776-22	INSULATION, SLEEVING
2	2	28 1010270	TRANSISTOR
1	1	27 1010252-1	TRANSISTOR
1	1	26 1010326	TRANSFORMER
2	2	25 1010329-1	TRANSFORMER
2	2	24 1010278-7	RESISTOR, FIXED
1	1	23 1010345-1	TRANSISTOR
2	2	22 MS35338-78	WASHER, LOCK
1	1	21 1010364-543	RESISTOR, FIXED
1	1	20 1006750-56	RESISTOR
1	1	19 1010364-765	RESISTOR, FIXED
1	1	18 1010569-105	RESISTOR, FIXED
1	1	17 1010364-579	RESISTOR, FIXED
4	4	16 1010364-443	RESISTOR, FIXED
1	1	15 1006750-43	RESISTOR
1	1	14 1006750-48	RESISTOR
2	2	13 1010369-97	RESISTOR, FIXED
4	3	12 1006750-73	RESISTOR
1	2	11 1006750-80	RESISTOR
1	1	10 1010353-1	RELAY, ELECTROMAGNETIC
1	1	9 1010372-22	DIODE, SEMICONDUCTOR DEVICE
4	4	8 1010392-1	DIODE, SEMICONDUCTOR DEVICE
1	1	7 1010279-222	CAPACITOR, FIXED
1	1	6 1010279-228	CAPACITOR, FIXED
1	1	5 1010264-15	CAPACITOR, FIXED
1	1	4 1015692	INSULATOR
1	1	3 1015690	INSULATOR
1	1	2 1015691	INSULATOR
1	1	1 1015689	HEATSINK

UNLESS OTHERWISE SPECIFIED DIMENSIONS ARE IN INCHES TOLERANCES OR FRACTIONS DECIMALS ANGLES	AC SPARK PLUG DIVISION, GMC MILWAUKEE, WISCONSIN	MANUFACTURED BY SPACECRAFT CENTER HOUSTON, TEXAS
± .005 ± .005 ± .02	APPROVED: <i>[Signature]</i>	GIMBAL COARSE ALIGN AMPLIFIER MODULE ASSY
1007541	DO NOT SCALE THIS DRAWING	CODE IDENT NO. E
NEXT ASSY USED ON APPLICATION APPLICABLE DASH NO.	MATERIAL	SCALE 2:1
THE ASSEMBLY PART NUMBER IS THE DRAWING NUMBER AND THE DASH NUMBER THAT APPLIES	CONTRACT NA59-497	SHEET 1 OF 2

REVISIONS				
REV. NO.	DESCRIPTION	DATE	BY	APP.
Δ	REVISED PER TDR 17591	6/65	GM	GM



UNLESS OTHERWISE SPECIFIED DIMENSIONS ARE IN INCHES TOLERANCES ON FRACTIONS DECIMALS ANGLES + - + - + - DO NOT SCALE THIS DRAWING	AC SPARK PLUG DIVISION, GMC MILWAUKEE, WISCONSIN	MANNED SPACECRAFT CENTER HOUSTON, TEXAS
	DRAWN BY <i>Chapman</i> DATE <i>14 Aug 64</i> CHECKED BY <i>Ward</i> DATE <i>27 Aug 64</i> APPROVAL <i>[Signature]</i>	GIMBAL COARSE ALIGN AMPLIFIER MODULE ASSY
MATERIAL	NSA APPROVAL <i>[Signature]</i>	CODE IDENT NO. E 1007541
CONTRACT NAS 9-497	WT APPROVAL <i>[Signature]</i>	SCALE 5:1 SHEET 2 OF 2

1007541A