

NOTICE - WHEN GOVERNMENT DRAWINGS, SPECIFICATIONS, OR OTHER DATA ARE USED FOR ANY PURPOSE OTHER THAN IN CONNECTION WITH A DEFINITELY RELATED GOVERNMENT PROCUREMENT OPERATION, THE UNITED STATES GOVERNMENT THEREBY INCURS NO RESPONSIBILITY NOR ANY OBLIGATION WHATSOEVER, AND THE FACT THAT THE GOVERNMENT MAY HAVE FORMULATED, FURNISHED, OR IN ANY WAY SUPPLIED THE SAID DRAWINGS, SPECIFICATIONS OR OTHER DATA IS NOT TO BE REGARDED BY IMPLICATION OR OTHERWISE AS IN ANY MANNER LICENSING THE HOLDER OR ANY OTHER PERSON OR CORPORATION, OR CONVEYING ANY RIGHTS OR PERMISSION TO MANUFACTURE, USE, OR SELL ANY PATENTED INVENTION THAT MAY IN ANY WAY BE RELATED THERETO.

REVISIONS			
SYM	DESCRIPTION	DATE	APPROVAL
-	INITIAL RELEASE CLASS A PER TDRR	22573	9-22-65
A	REVISED PER TDRR 25580	2/11/66	WJL
B	REVISED PER TDRR 25992	2/15/66	WJL
C	REVISED PER TDRR 27403	3/23/66	WJL

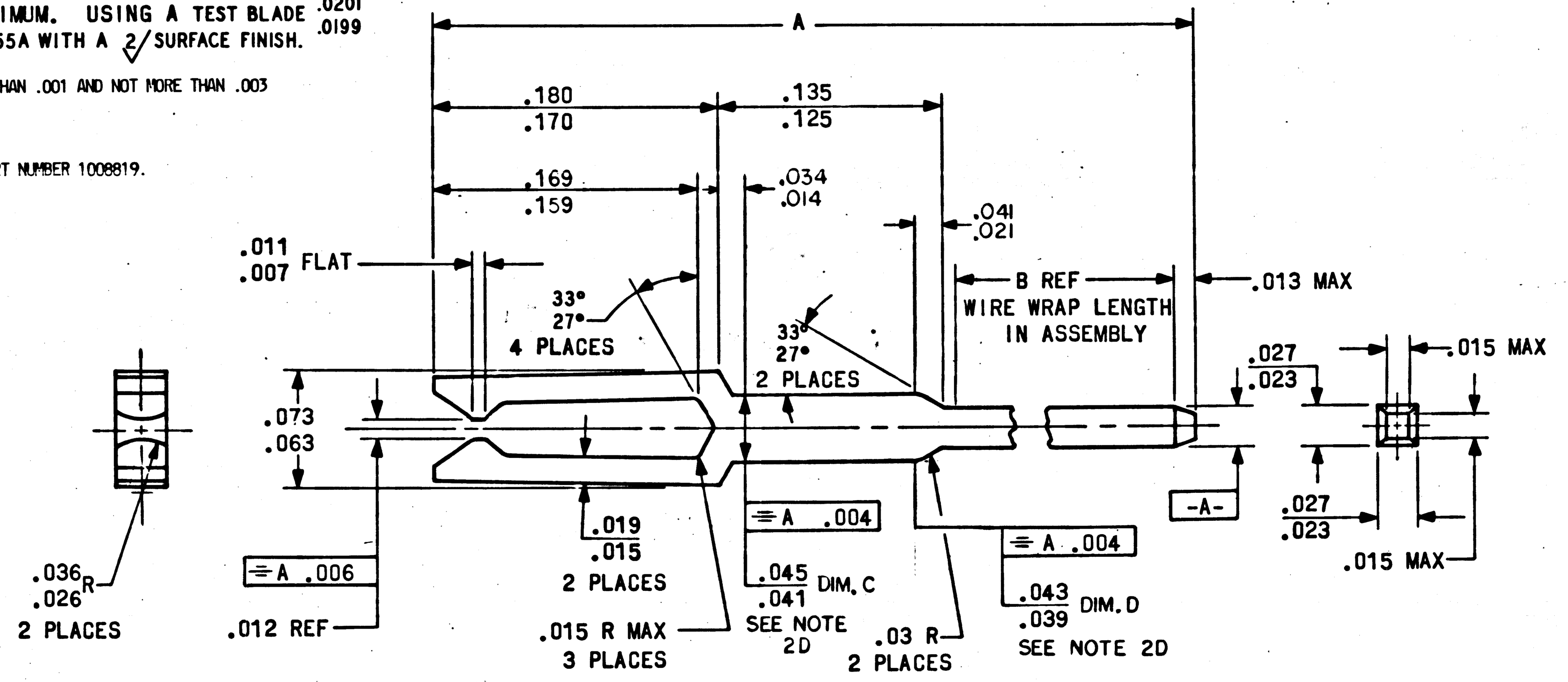
**REQUIREMENTS:**

1. GENERAL:
  - A. INTERPRET DRAWING IN ACCORDANCE WITH STANDARDS PRESCRIBED BY MIL-D-70327.
  - B. SUPPLIER SHALL CONFORM TO QUALITY ASSURANCE PROVISIONS SPECIFIED IN ND 1015404, CLASS 3.
  - C. PRESERVATION, PACKAGING, PACKING AND CONTAINER MARKING: PER ND 1002215, CLASS 1, CODE 7.
2. INSPECTION AND ACCEPTANCE:
  - A. MATERIAL BERYLLIUM COPPER PER QQ-C-533 ALLOY I72 HEAT TREATED PER MIL-H 7199, MINIMUM ROCKWELL 59-30N SCALE (BEFORE MANUFACTURING).
  - B. FINISH: .000050 MINIMUM GOLD PLATE PER MIL-G-45204 TYPE II OVER .0002 MIN THICKNESS NICKEL PER QQ-N-290.
  - C. WITHDRAWAL: 2 OZ. MINIMUM, 10 OZ. MAXIMUM. USING A TEST BLADE .0201 THICK AND .061 WIDE, MADE OF CARBIDE -GRADE 55A WITH A  $\sqrt{}$  SURFACE FINISH. .0199 .059
  - D. DIMENSION C MUST BE GREATER THAN DIMENSION D BY NOT LESS THAN .001 AND NOT MORE THAN .003

3. APPLICATION DATA:
 

TO BE USED WITH ALUMINUM GROUNDING SLEEVE PART NUMBER 1008819.

DASH NUMBER	A	B (REF)
-001	.593 .583	.250
-002	.843 .833	.500
-003	1.093 1.083	.750
-004	.518 .508	.175
-005	.668 .658	.325
-006	.693 .683	.350
-007	.793 .783	.450



MASTER

PROCURE ONLY FROM APPROVED SOURCES LISTED ON ND 1002034 FOR THIS DRAWING.

QTY REQD	PART OR IDENTIFYING NO.	NOMENCLATURE OR DESCRIPTION	FIND NO.
LIST OF MATERIALS			
MIT INSTRUMENTATION LAB CAMBRIDGE, MASS. NAS 9- DWE NO. CONTRACT 497		MANNED SPACECRAFT CENTER HOUSTON, TEXAS	
DRAWN <i>J. Patterson</i> DATE 20 AUG 65 CHECKED <i>R. E. Johnson</i> 25 AUG 65 APPROVAL <i>D. J. Williams</i> 20 SEPT 65		CONTACT, ELECTRICAL-WRAPOST, SUB-MINIATURE, FEMALE, GROUNDING	
MATERIAL SEE REQUIREMENTS		SPECIFICATION CONTROL DRAWING	
HEAT TREATMENT NONE		CODE IDENT NO.	NASA DRAWING NO.
NEXT ASSY		80230	1008818
USED ON		SIZE	
APPLICATION		C	
FINAL FINISH SEE REQUIREMENTS		SCALE 15:1	WT
			SHEET 1 OF 1