

NOTICE - WHEN GOVERNMENT DRAWINGS, SPECIFICATIONS, OR OTHER DATA ARE USED FOR ANY PURPOSE OTHER THAN IN CONNECTION WITH A DEFINITELY RELATED GOVERNMENT PROCUREMENT OPERATION, THE UNITED STATES GOVERNMENT THEREBY INCURS NO RESPONSIBILITY NOR ANY OBLIGATION WHATSOEVER, AND THE FACT THAT THE GOVERNMENT MAY HAVE FORMULATED, FURNISHED OR IN ANY WAY SUPPLIED THE SAID DRAWINGS, SPECIFICATIONS OR OTHER DATA IS NOT TO BE REGARDED BY IMPLICATION OR OTHERWISE AS IN ANY MANNER LICENSING THE HOLDER OR ANY OTHER PERSON OR CORPORATION, OR CONVEYING ANY RIGHTS OR PERMISSION TO MANUFACTURE, USE, OR SELL ANY PATENTED INVENTION THAT MAY IN ANY WAY BE RELATED THERETO.

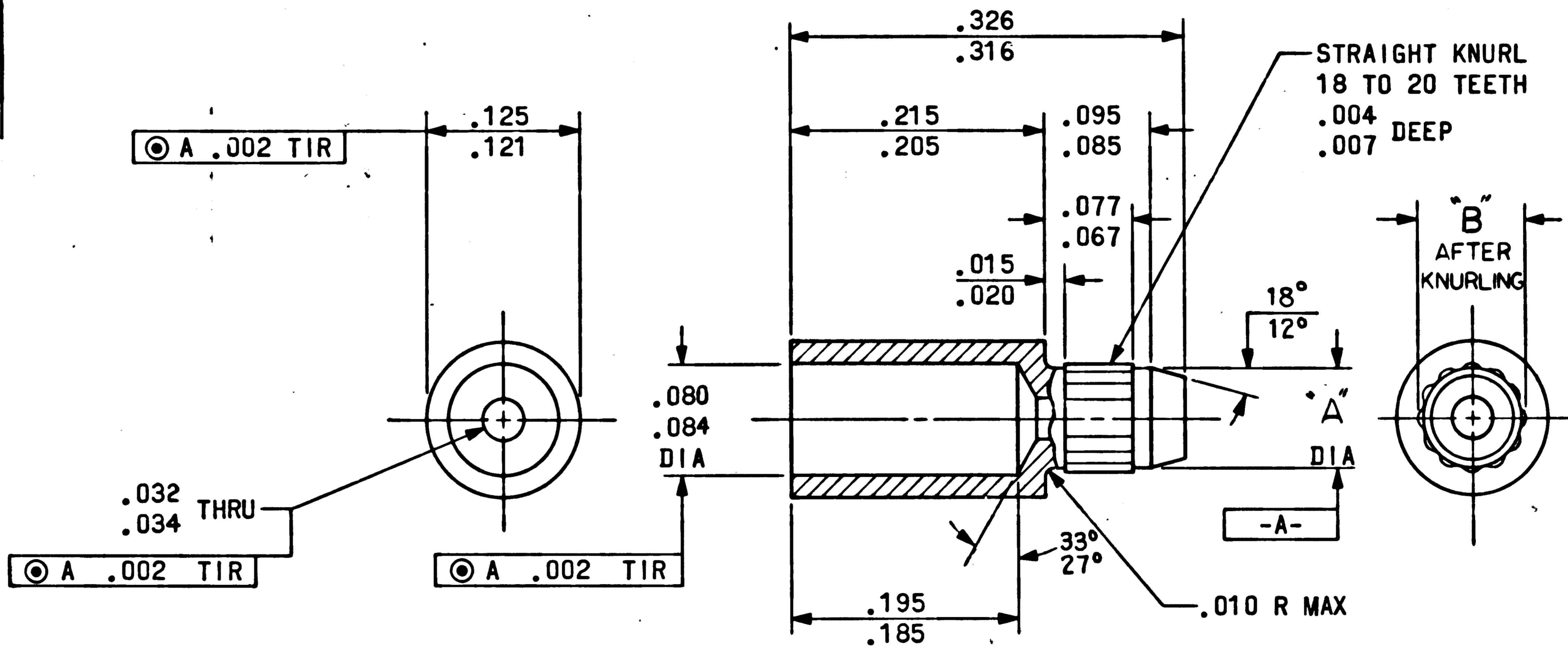
6188001

| REVISIONS | | | |
|-----------|--|---------|----------|
| SYM | DESCRIPTION | DATE | APPROVAL |
| - | INITIAL RELEASE CLASS A PER TDRR 22573 | 9-21-65 | WJK |
| A | REVISED PER TDRR 26884 | 3/15/66 | WJK |
| B | REVISED PER TDRR 28182 | 4-28-66 | WJK |
| C | REVISED PER TDRR 29614 | 6/14/66 | WJK |
| D | REVISED PER TDRR 30678 | 8-25-66 | JJB |

REQUIREMENTS:

1. GENERAL:
 - A. INTERPRET DRAWING IN ACCORDANCE WITH STANDARDS PRESCRIBED BY MIL-D-70327.
 - B. SUPPLIER SHALL CONFORM TO QUALITY ASSURANCE PROVISIONS SPECIFIED IN ND 1015404, CLASS 3.
 - C. PRESERVATION, PACKAGING, PACKING AND CONTAINER MARKING PER ND 1002215, CLASS 1, CODE 7.
2. DESIGN:
 - A. MATERIAL: ALUMINUM 1100-F PER QQ-A-225/1B
 - B. FINISH: CHEMICAL FILM PER MIL-C-5541 CLASS 3

| DASH NUMBER | REFERENCE MTG. HOLE SIZE | DIMENSION A | DIMENSION B |
|-------------|--------------------------|---------------|---------------|
| -001 | .0715/.0725 DIA | .068/.072 DIA | .074/.072 DIA |
| -002 | .0720/.0730 DIA | .072 REF | .075/.073 DIA |
| -003 | .0805/.0815 DIA | .074/.078 | .081/.083 DIA |



THE PART NUMBER IS THE DRAWING NUMBER PLUS THE APPLICABLE DASH NUMBER.

NOTES:

1. TO BE USED WITH CONTACT, PART NO. 1008818.

PROCURE ONLY FROM APPROVED SOURCES LISTED ON ND 1002034 FOR THIS DRAWING.

| | | | |
|--|-------------------------|---|--------------------------|
| QTY REQ | PART OR IDENTIFYING NO. | NOMENCLATURE OR DESCRIPTION | FIND NO. |
| LIST OF MATERIALS | | | |
| MIT INSTRUMENTATION LAB CAMBRIDGE MASS CONTRACT NAS 9-497 | | MANNED SPACECRAFT CENTER HOUSTON, TEXAS | |
| DRAWN Bender 19-AUG-65 DATE CHECKED Ed Foster 20 AUG 65 DATE APPROVAL JJB 20 SEPT 65 | | SLEEVE, GROUNDING— SUB-MINIATURE, FEMALE | |
| SEE REQUIREMENTS | | SPECIFICATION CONTROL DRAWING | |
| HEAT TREATMENT NONE | | CODE IDENT NO. 80230 | NASA DRAWING NO. 1008819 |
| FINAL FINISH SEE REQUIREMENTS | | SIZE C | SCALE NONE |
| NEXT ASSY | USED ON | WT | SHEET 1 OF 1 |
| APPLICATION | | | |

1008819

A