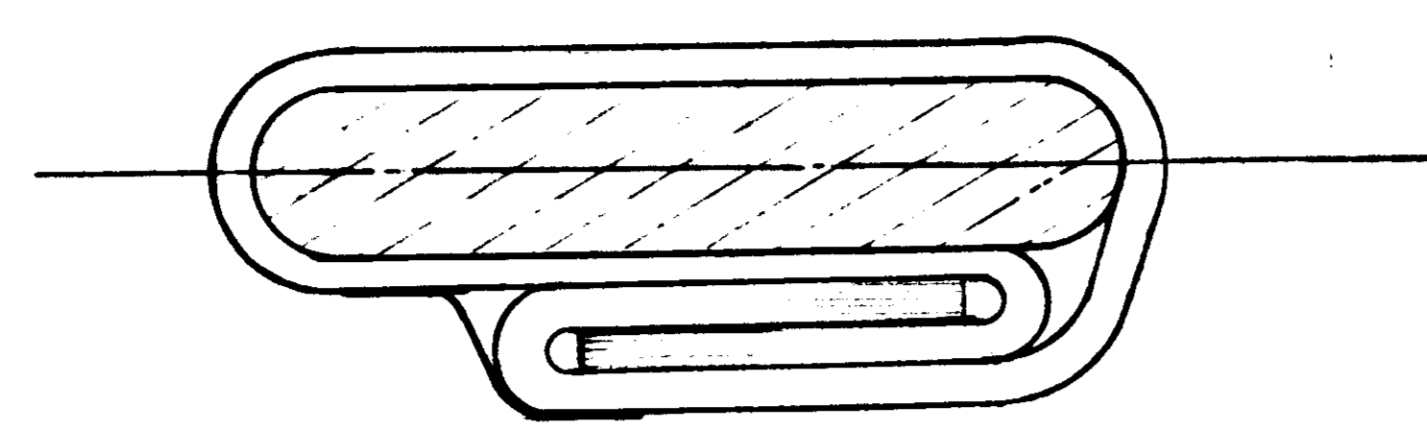


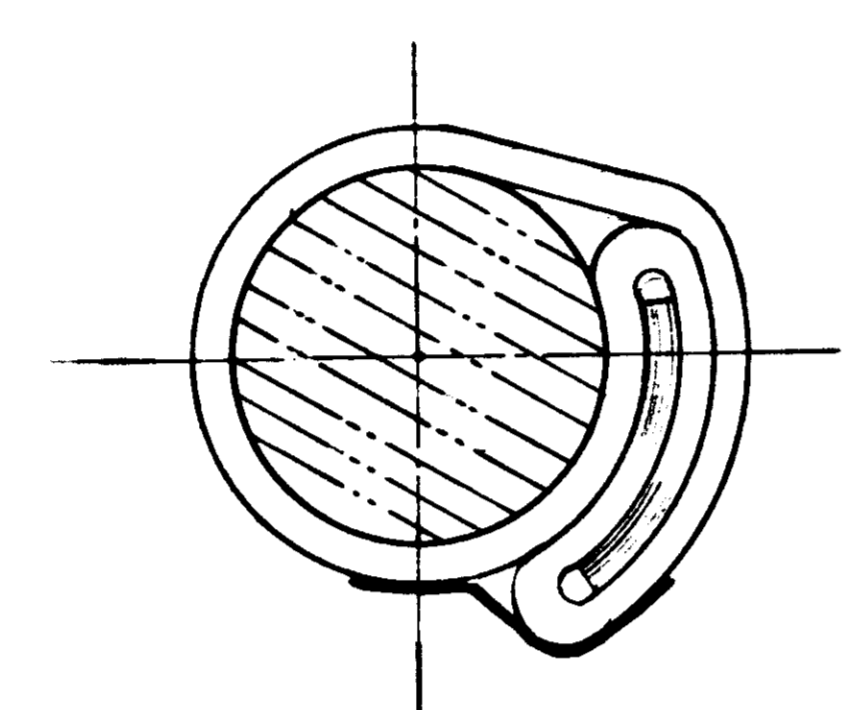
LDW 280-54000-085 WDL

28 27 26 25

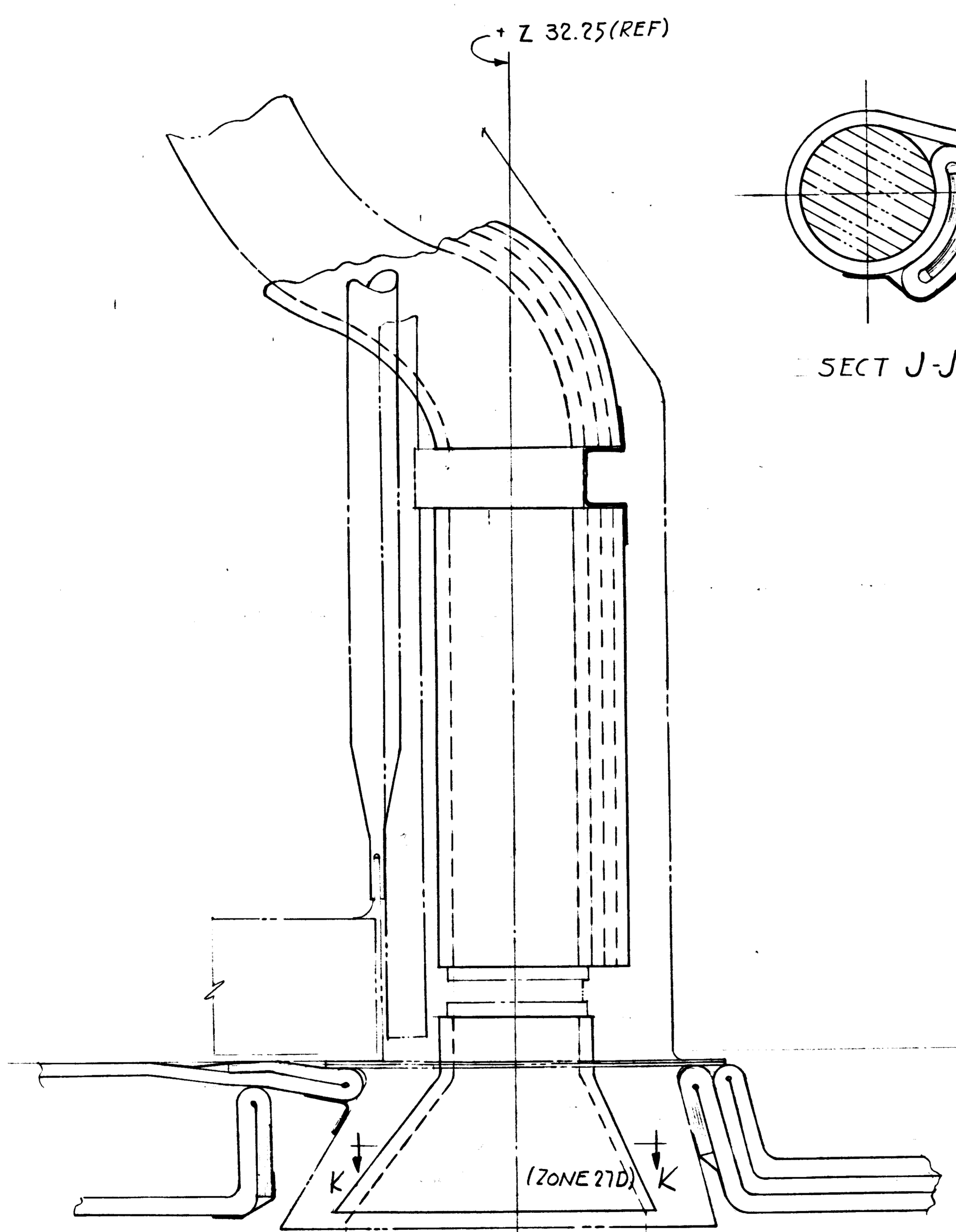
D
C
B
A



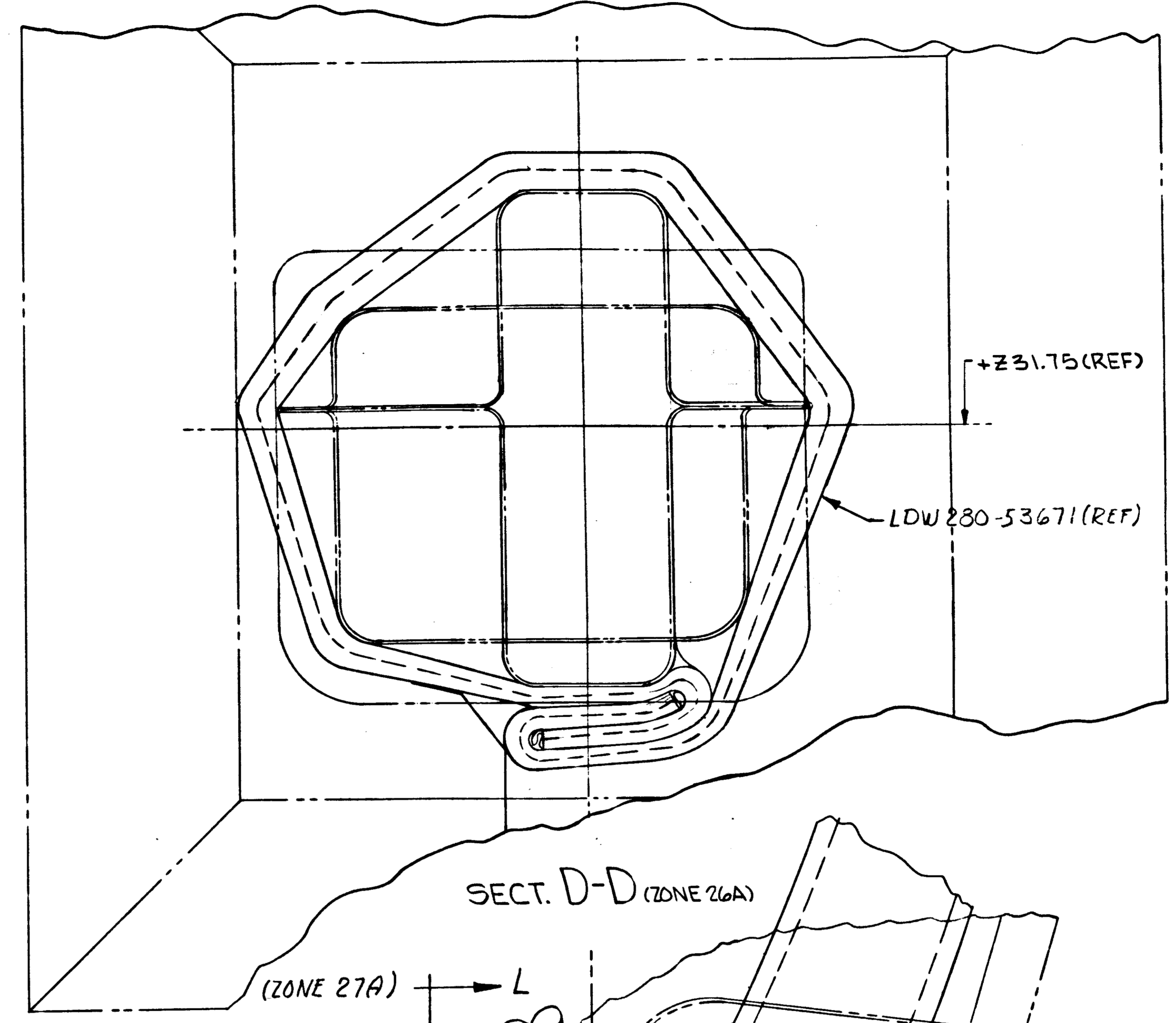
SECT K-K (ZONE 27A)



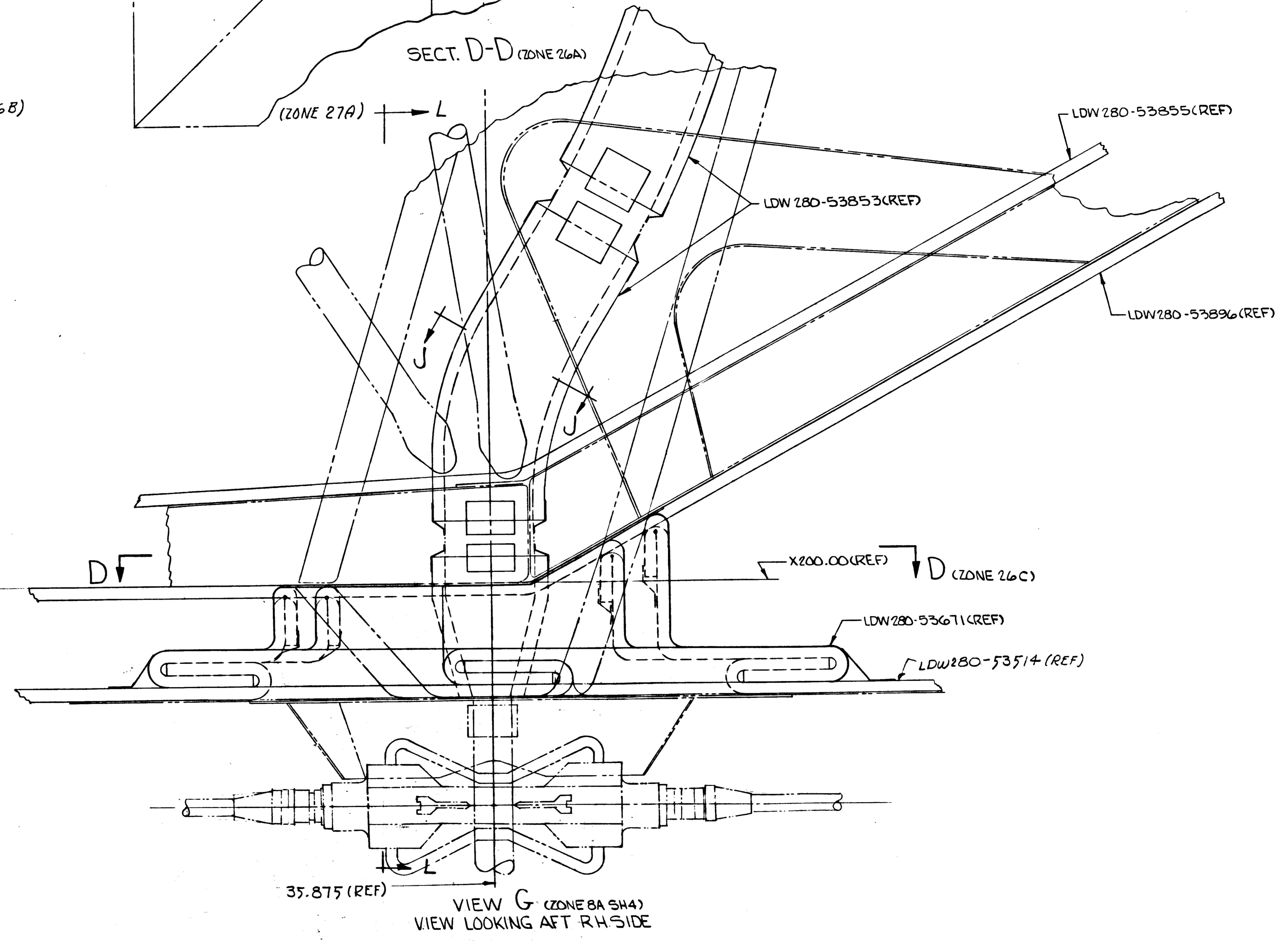
SECT J-J (ZONE 26B)



SECTION L-L (ZONE 26C)



SECT. D-D (ZONE 26A)



01/03 NAS 9-1100

28 27 26 25

CODE IDENT NO. 26512	OWC NO. LDW280-54000	SHEET 5
FRAME 1		FRAME 2