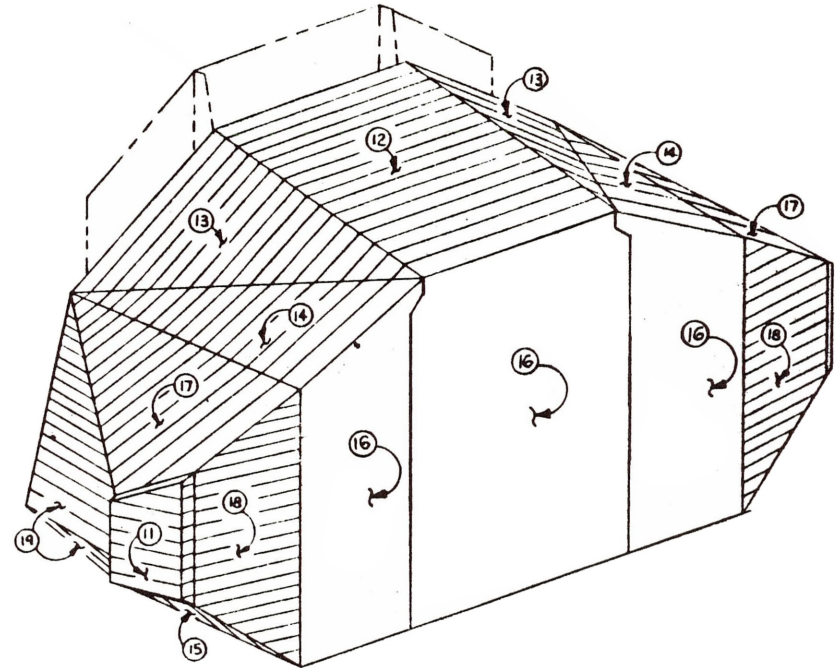
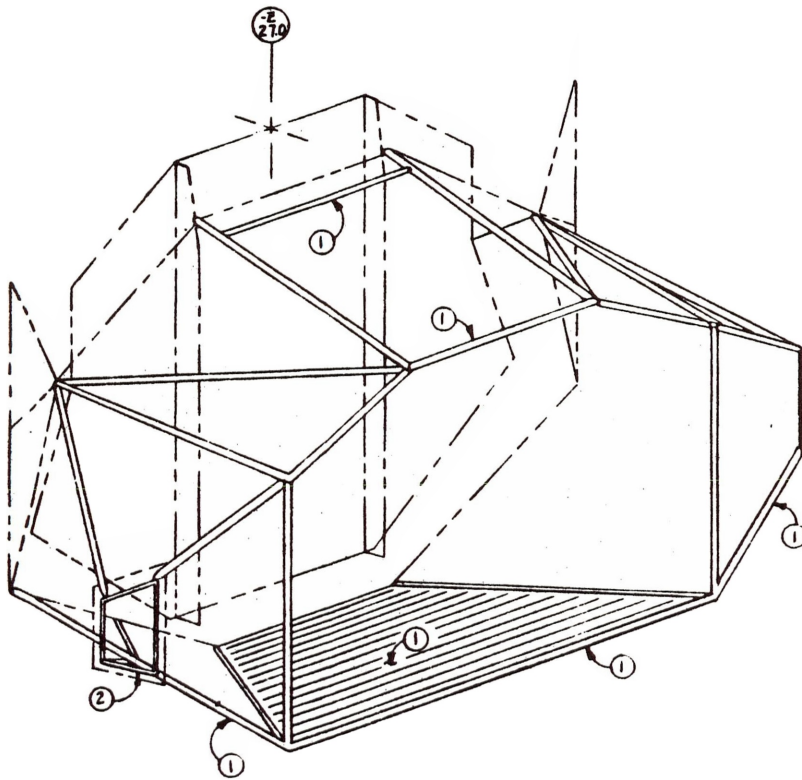


THERMAL SHIELDING LDW 280-28450		
1	LDW 280-28451	CAGE ASSY
	LDW 280-28454	PANEL ASSY
2	LDW 280-28452	SUPT INSTL, RCS AFT
3	LDW 280-28453	SHIELD INSTL

③ SHIELDING INSTL LDW 280-28453		
11	LDW 280-28871	SHLD INSTL, RCS AFT
12	LDW 280-14393	SHLD ASSY, UPR MID
13	LDW 280-14394	" " " INBD
14	LDW 280-14395	" " " OUTBD
15	LDW 280-14399	" " " LWR SIDE
16	LDW 280-14392	" " " ACCESS
17	LDW 280-14396	" " " UPR SIDE
18	LDW 280-14397	" " " AFT SIDE
19	LDW 280-14398	" " " SIDE ACC



LM
ASCENT STAGE
AFT EQUIPMENT BAY
LTA-8

7-20-67
ENGINEERING SCHEDULING PRR 5-2-67

SHEET 5

SK 17-30-18