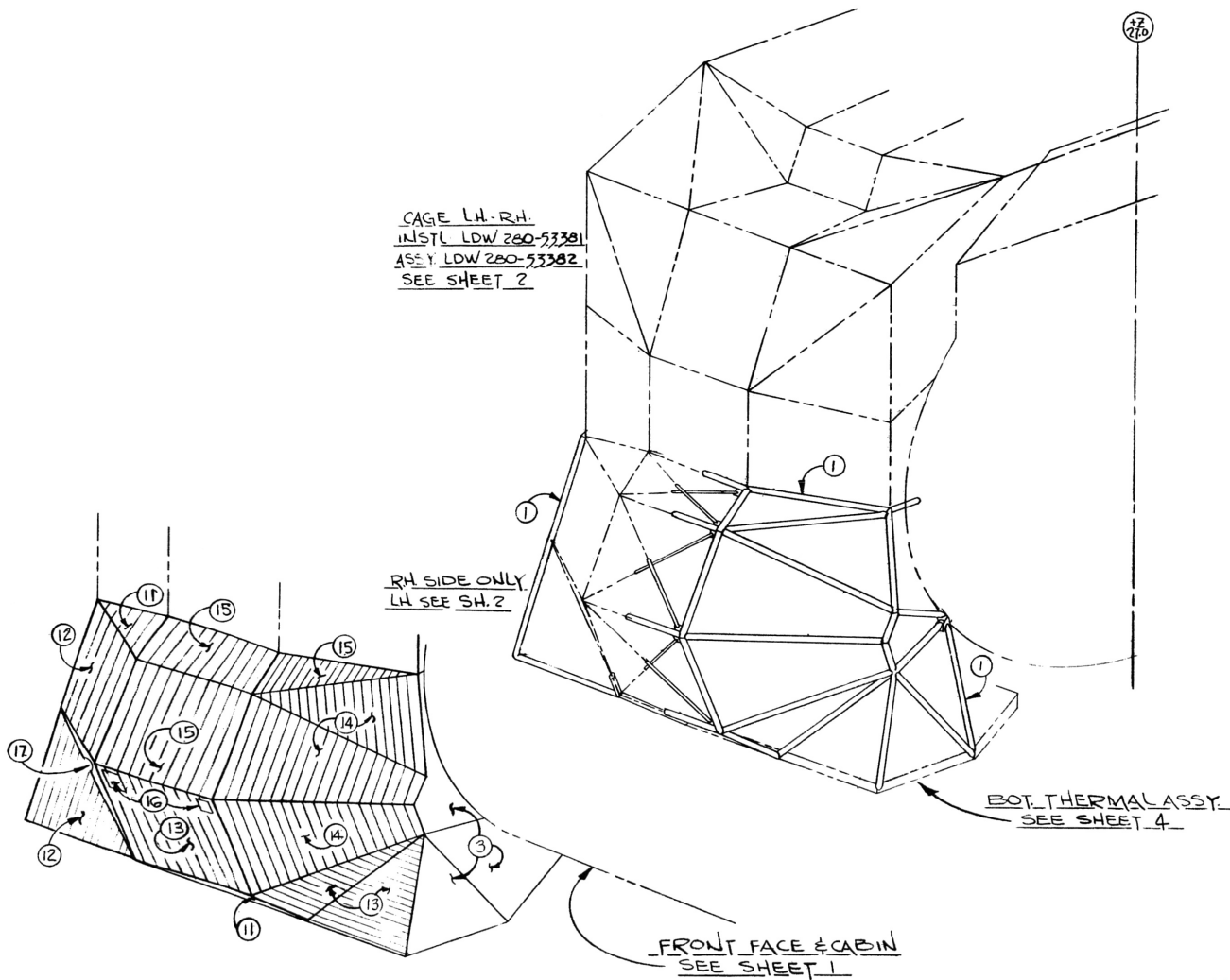


THERMAL SHIELDING LDW 280-54150		
ITEM	DRAWING	TITLE
1	LDW 280-53156	CAGE INSTL, R.H. TANK
	LDW 280-53231	CAGE ASSY, R.H. TANK
2	LDW 280-53161	SHLD INSTL, R.H. TANK
3	LDW 280-53851	SHLD INSTL, FWD & AFT TK

② SHIELDING INSTL, R.H. TK DW 280-53161		
ITEM	DRAWING	TITLE
11	LDW 280-11641	SHIELD
2	LDW 280-11642	"
13	LDW 280-11643	"
14	LDW 280-11644	"
15	LDW 280-11645	"
16	LDW 280P11500	FARING
17	LDW 280P11517	"



LM-
ASCENT STAGE
MID SECTION
LM-4

7-19-67 SHEET 3
COMPLETE REVISION PER: 4-26-67
ENGINEERING SCHEDULING: 263 10-18-66
SK 17-30-34