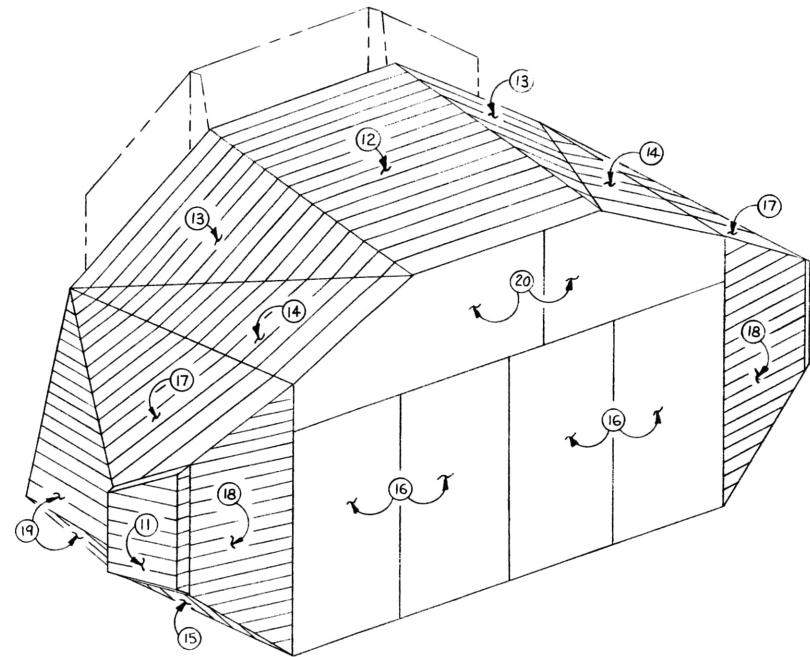
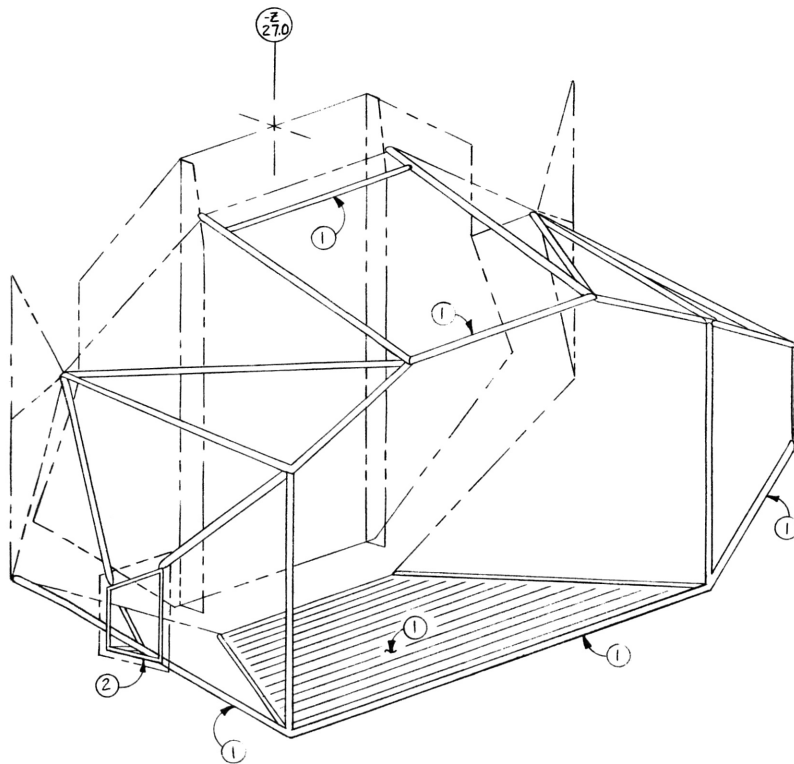


THERMAL SHIELDING LDW 280-54450		
1	LDW 280-53451	CAGE ASSY
	LDW 280-51454	PANEL ASSY
2	LDW 280-53452	SUPT INSTL, RCS AFT
3	LDW 280-54453	SHIELD INSTL

③ SHIELDING INSTL LDW 280-54453		
11	LDW 280-54871	SHLD INSTL, RCS AFT
12	LDW 280-14463	SHLD ASSY, UPR MID
13	LDW 280-14464	" " " INBD
14	LDW 280-14465	" " " OUTBD
15	LDW 280-14469	" " " LWR SIDE
16	LDW 280-14470	" " " ACCESS
17	LDW 280-14476	" " " UPR SIDE
18	LDW 280-14477	" " " AFT SIDE
19	LDW 280-14478	" " " SIDE ACC
20	LDW 280-53461	UPR AFT ACCESS PNL



LM  
ASCENT STAGE  
AFT EQUIPMENT BAY  
LM-4

ENGINEERING SCHEDULING, PRR 7-19-67  
5-2-67

SHEET 5

SK 17-30-34