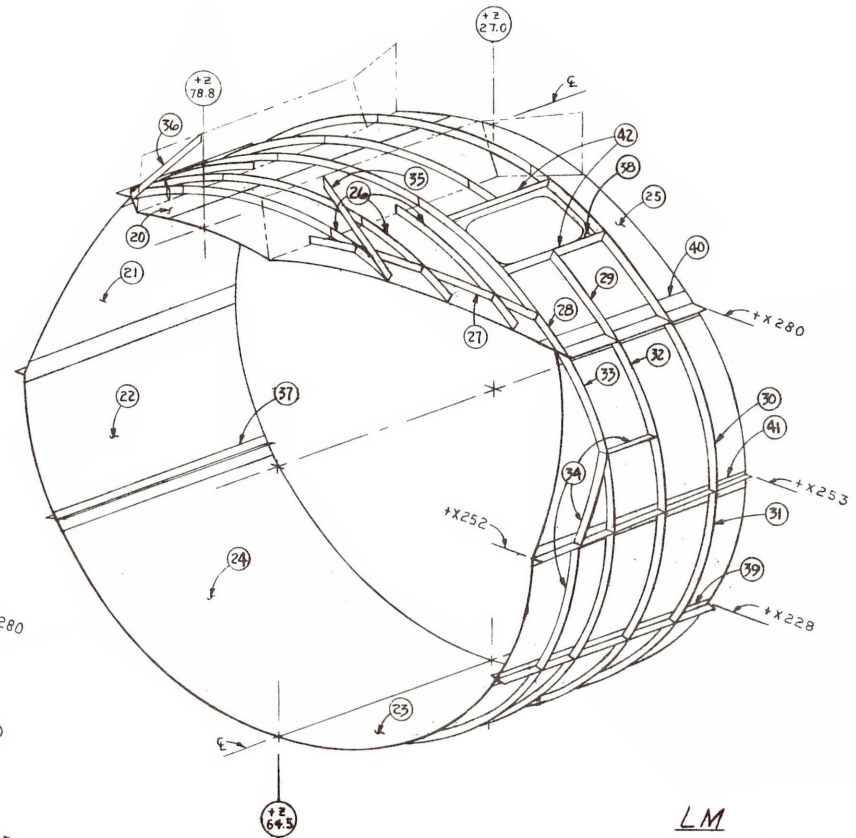
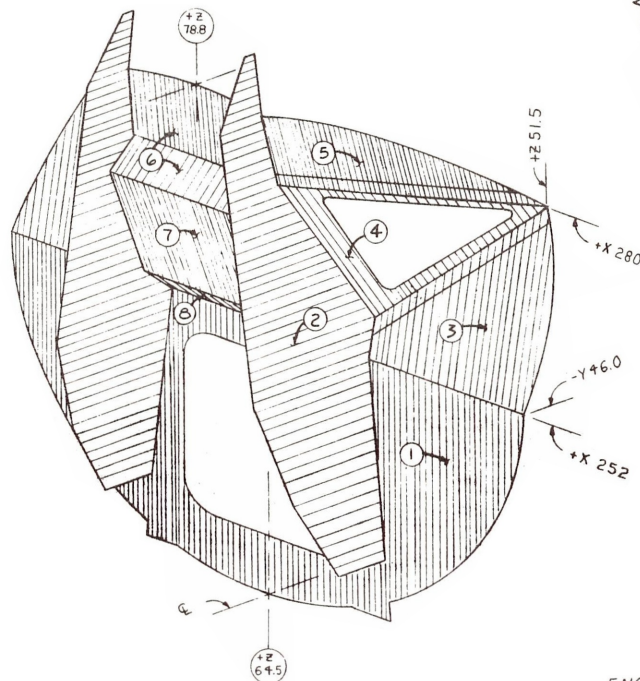


CABIN - LDW280-28051

ITEM	DRAWING	TITLE
20	LDW280-10155	SKIN-R.H. UPPER
21	LDW280-10156	" X280 TO 252, R&L.H.
22	LDW280-10157	" X252 TO 228, R&L.H.
23	LDW280-10158	" L.H. LOWER
24	LDW280-10159	" R.H. LOWER
25	LDW280-10154	" L.H. UPPER
26	LDW280-10235	FRAME +Z67, 61, 55
27	LDW280-10236	" BROW
28	LDW280-10233	" +Z51, FROM X280 UPPER
29	LDW280-10241	" +Z42, " " "
30	LDW280-10237	" +Z33, " X252 "
31	LDW280-10232	" " " " LOWER
32	LDW280-10234	" +Z42 " X280 "
33	LDW280-10240	" +Z51 " " "
34	LDW280-10231	" +Z58 " X252 "
35	LDW280-10248	STRUCT ASSY - Z67 LEFT HAND
36	LDW280-10251	STRUCT ASSY +Z67 RIGHT HAND
37	LDW280M10028	LONGERON (CRUCIFORM) RH. X228
38	LDW280M10062	FRAME, WINDOW, UPPER
39	LDW280M10025	LONGERON (CRUCIFORM) L.H. X228
40	LDW280M10026	" " " X280
41	LDW280M10027	" " " X252
42	LDW280-10238	FRAME, WINDOW

FRONT FACE - LDW280-28011

ITEM	DRAWING	TITLE
1	LDW280M10109	BULKHEAD, LOWER F/F
2	LDW280M10085	WEB F/F BEAM
3	LDW280M10007	PANEL, CHEEK
4	LDW280M10105	FRAME, WINDOW, CABIN
5	LDW280M10006	PANEL, BROW
6	LDW280M10066	PANEL, UPPER CENTER
7	LDW280M10010	PANEL, LOWER CENTER
8	LDW280-10119	PANEL, CANTED



LM
ASCENT STAGE
FRONT FACE & CABIN
LTA-8

ENGINEERING SCHEDULING - E.F.M. 3-13-65
10-10-66

SHEET 1
SK17-31-18