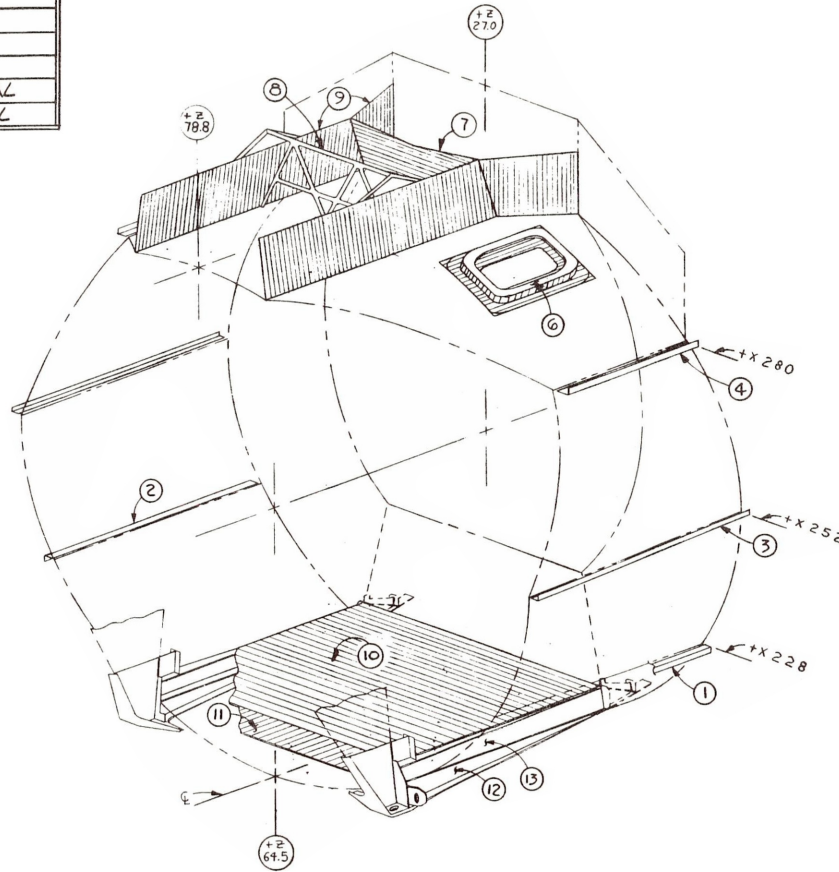


CABIN ASSY

ITEM	DRAWING	TITLE
1	LDW280-28049	LONGERON INSTL. X288 LH.
	LDW280M10034	CAPSTRIP X288 LH.
2	LDW280-28025	LONGERON INSTL X288 R.H.
	LDW280M10038	CAPSTRIP X288 RH
3	LDW280-28047	LONGERON INSTL X252
	LDW280M10114	CAPSTRIP X252
4	LDW280-28048	LONGERON INSTL. X280
	LDW280M10092	CAPSTRIP X280
6	LDW280-28023	WINDOW INSTL, UPPER DOCKING
7	LDW280-28114	PANEL - Z39 CANTED
8	LDW280-28066	FRAME INSTL - Z55, NAV. BASE SUPT.
9	LDW280-28031	BEAM INSTL., IMU
10	LDW280H23060	FLOOR ASSY. & INSTL.
11	LDW280-10218	BEAM INSTL. - X218, ZY22
12	LDW280M10064	FITTING FWD. INTERSTAGE, EXTERNAL
13	LDW280M10065	" " " " INTERNAL



LM  
 ASCENT STAGE  
 CABIN ASSY  
 LTA-8

SHEET 2

EG 10-10-66  
 ENGINEERING SCHEDULING - E.F.M. - 3-13-65

SK17-31-18