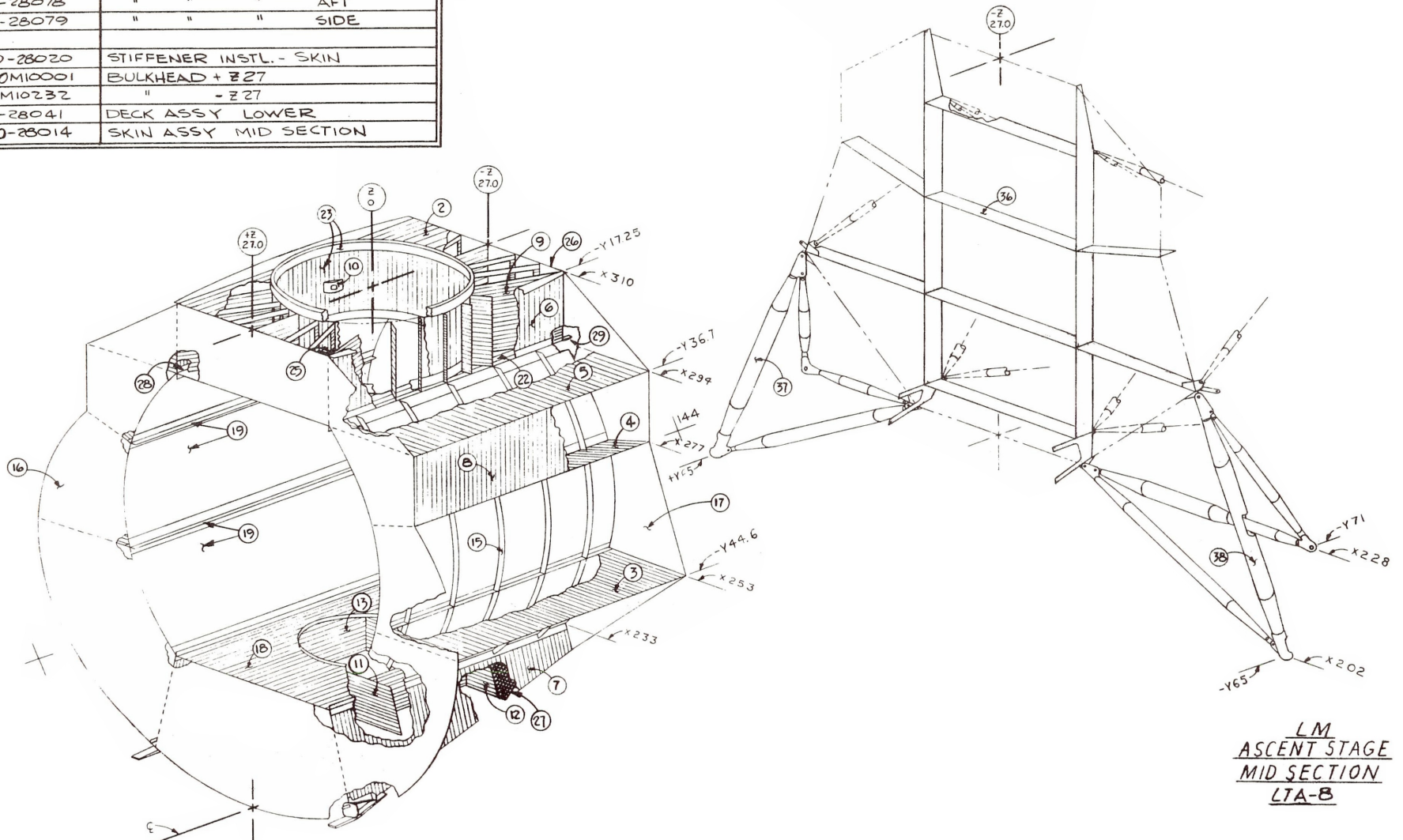


MID SECTION STRUCTURAL ASSEMBLY LDW280-28012

ITEM	DRAWING	TITLE
2	LDW280-28027	DECK ASSY X 310
3	LDW280-28029	DECK INSTL X253
4	LDW280-28032	DECK ASSY & INSTL X 277 CANTED
5	LDW280-28035	" " " " X 294
6	LDW280-28028	BEAM ASSY & INSTL ± Y17.25
7	LDW280-28030	" " " " ± Y22
8	LDW280-28044	WEB INSTL ± Y36.7
9	LDW280-28050	" " DOCKING TUNNEL
10	LDW280-28076	FTG INSTL DKG.TNL DROGUE SUPT.
11	LDW280-28077	BEAM INSTL. ENGINE; FORWARD
12	LDW280-28078	" " " " AFT
13	LDW280-28079	" " " " SIDE
15	LDW280-28020	STIFFENER INSTL. - SKIN
16	LDW280M10001	BULKHEAD + Z27
17	LDW280M10232	" - Z27
18	LDW280-28041	DECK ASSY LOWER
19	LDW280-28014	SKIN ASSY MID SECTION

ITEM	DRAWING	TITLE
22	LDW280-28017	DECK ASSY UPPER X294
23	LDW280-28022	TUNNEL ASSY-UPPER DOCKING
25	LDW280-28126	FITTING INSTL + Z27, ± Y17.25
26	LDW280-28127	" " - Z27, ± Y17.25
27	LDW280-28100	STIFFENER INSTL. LOWER DECK
28	LDW280-28124	FITTING INSTL + Z27 ± 17.25
29	LDW280-28125	" " - Z27 ± 17.25

ITEM	DRAWING	TITLE
36	LDW280-28019	STIFFENER INSTL - Z27 BULKHEAD
37	LDW280-28036	AFT INTER STAGE TRUSS, L.H.
38	LDW280-28037	" " " " , R.H.



LM
ASCENT STAGE
MID SECTION
LTA-B

10-10-66
ENGINEERING SCHEDULING - E.F.M. 4-13-65

SHEET 1
SK17-32-18