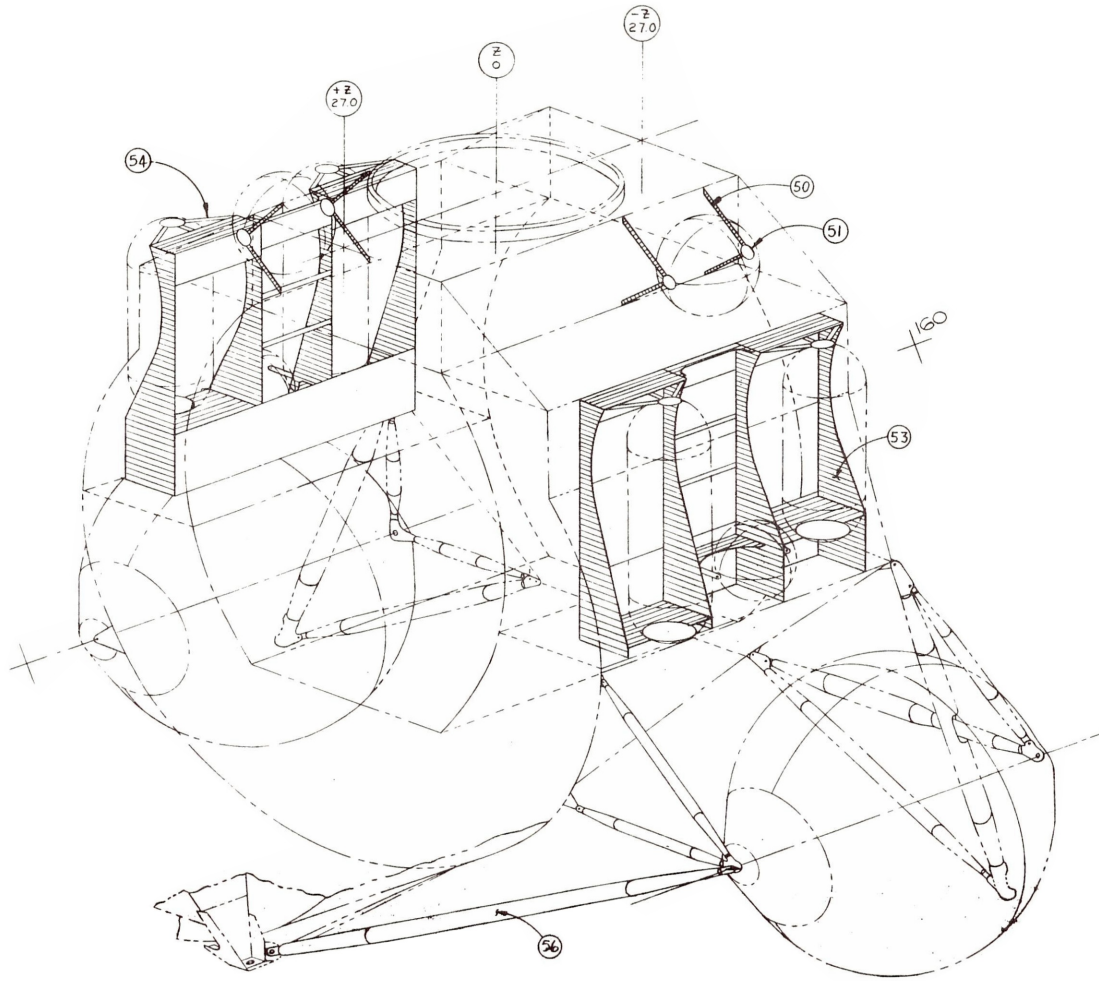


MID SECTION

ITEM	DRAWING	TITLE
	LDW280-28053	TANK INSTL-WATER
50	LDW280M10071	FITTING, WATER TANK, LWR SUPPORT
51	LDW280M10285	RETAINER, WATER TANK
	LDW280-28026	TANK SUPT. ASSY & INSTL, RCS
53	LDW280-10112	FRAME, TANK SUPT, RCS
54	LDW280-10115	ANGLE TANK SUPT, RCS
56	LDW280-28024	TANK SUPPORT ASSY-FUEL



LM  
ASCENT STAGE  
MID SECTION  
LTA-B

10-10-66  
 ENGINEERING SCHEDULING - E.F.M. 4-29-65

SHEET 2  
 SK17-32-18