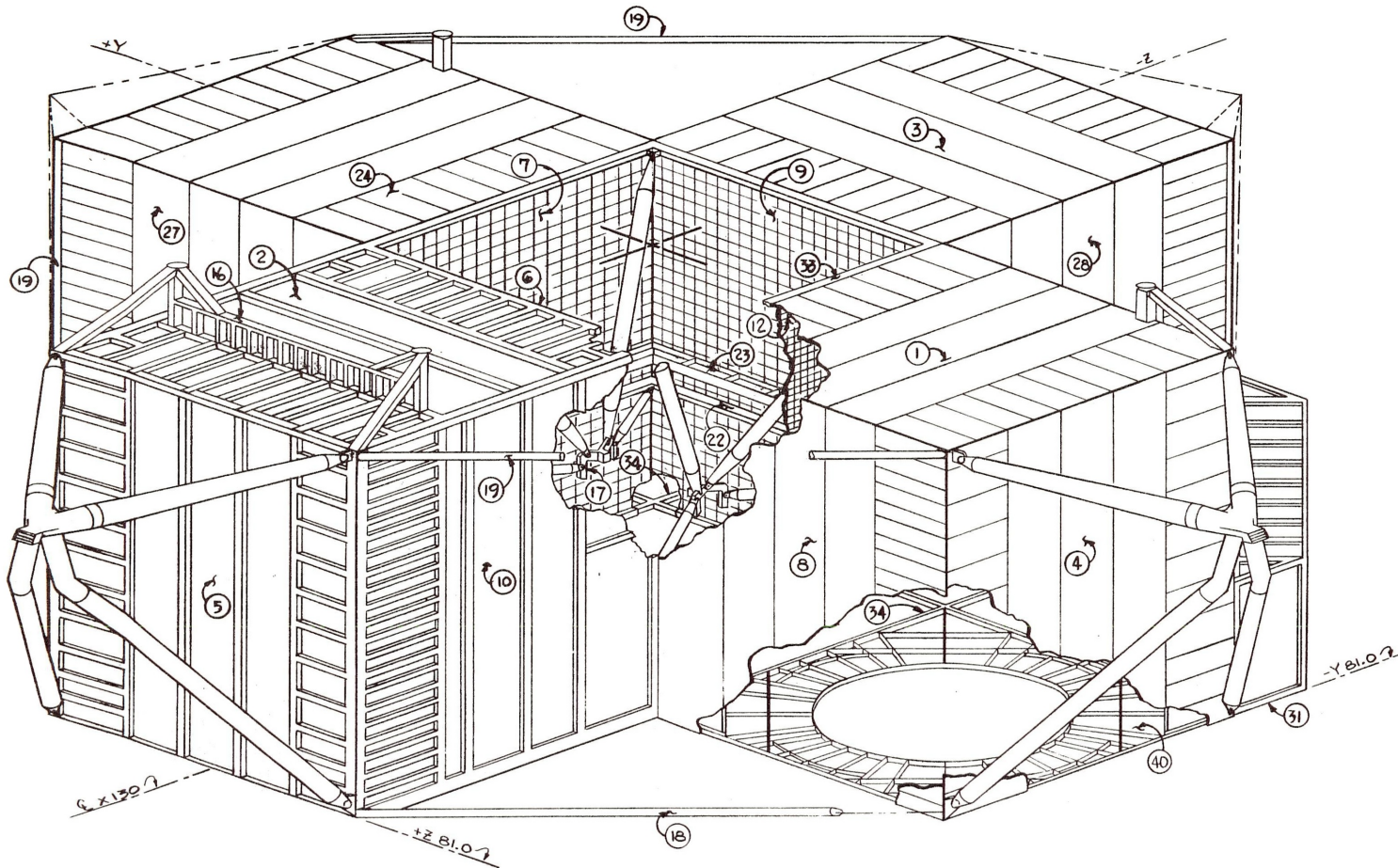


DESCENT STAGE STRUCTURE LDW 280-28510

ITEM	DRAWING	TITLE	ITEM	DRAWING	TITLE	ITEM	DRAWING	TITLE	ITEM	DRAWING	TITLE
1	LDW280-25521	DECK INSTL. LH. UPPER	16	LDW280-25540	BEAM ASSY. SUPT.	31	LDW280-28569	SUPT. INSTL. SEQ.	---	LDW280-25527	BULKHEAD INSTL., AFT
2	LDW280-25522	DECK INSTL. FORWARD	17	LDW280-25545	TRUSS INSTL. ENG SUPT.	---	---	---	---	LDW280-25533	PANEL INSTL. L.H. AFT
3	LDW280-25523	DECK INSTL. AFT	18	LDW280-25547	STRUT. INSTL. LOWER	---	---	---	---	LDW280-25534	PANEL INSTL. FWD RH.
4	LDW280-25525	BULKHEAD INSTL. LH.	19	LDW280-25549	STRUT. INSTL. UPPER	33	LDW280M17100	CAPSTRIP ENG. COMP.	---	LDW280-25536	PANEL INSTL. AFT RH.
5	LDW280-25526	BULKHEAD FORWARD	---	---	---	34	LDW280M17101	CAPSTRIP ENG. COMP.	---	LDW280-28524	BULKHEAD INSTL. RH. ENG.
6	LDW280-25529	PANEL INSTL. ENG. FWD.	---	---	---	---	---	---	---	LDW280-28531	PANEL INSTL. RH. AFT. BI
7	LDW280-25533	PANEL INSTL. ENG. R.H.	22	LDW280-25550	BEAM INSTL. ENG. TRUSS.	---	---	---	---	---	---
8	LDW280-25530	PANEL INSTL. L.H. FWD.	23	LDW280-25551	BEAM INSTL. ENG. AFT.	---	---	---	---	---	---
9	LDW280-25532	PANEL INSTL. ENG. AFT.	24	LDW280-28520	DECK INSTL. RH. UPPER	---	---	---	---	---	---
10	LDW280-25537	PANEL INSTL. FWD. LH.	---	---	---	---	---	---	---	---	---
---	---	---	---	---	---	---	---	---	---	---	---
12	LDW280-25538	PANEL INSTL. ENG. LH.	27	LDW280-28528	PANEL INSTL. RH. FWD.	---	---	---	---	---	---
---	---	---	28	LDW280-28539	PANEL INSTL. AFT. LH. BM.	---	---	---	---	---	---
---	---	---	---	---	---	---	---	---	---	---	---



LM
DESCENT STAGE
STRUCTURE
LTA-8
LDW 280-28510