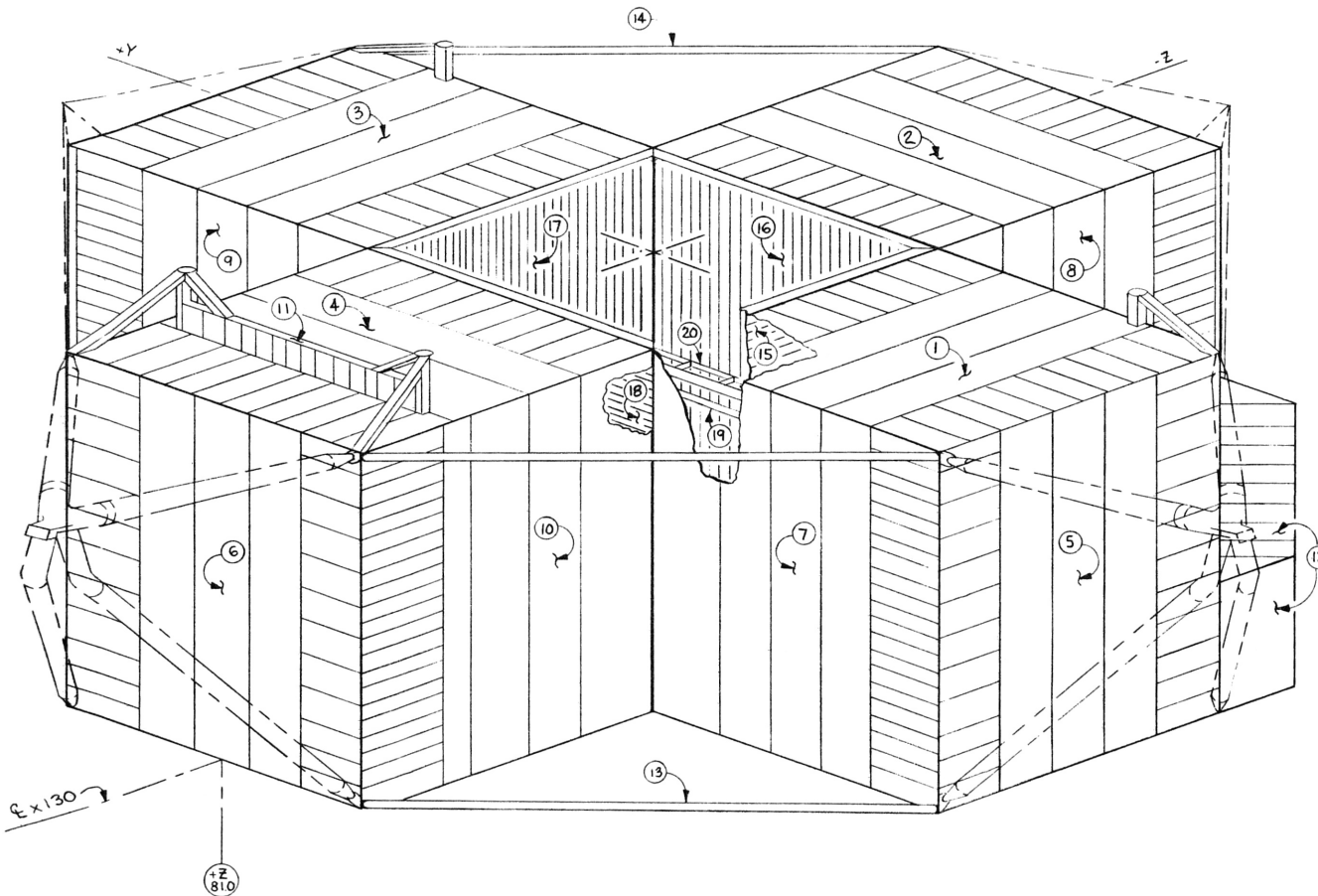


DESCENT STAGE STRUCTURE INSTL LDW 280-54510

ITEM	DRAWING	TITLE	ITEM	DRAWING	TITLE	ITEM	DRAWING	TITLE
1	LDW 280-54521	DECK INSTL LH UPPER	8	LDW 280-23539	PANEL INSTL AFT LH	15	LDW 280-23538	PANEL INSTL ENGL H
2	LDW 280-54523	" " " AFT		LDW 280-23536	" " " RH	16	LDW 280-23532	" " " AFT
3	LDW 280-54520	" " " R.H.	9	LDW 280-54528	" " " R.H. FWD	17	LDW 280-23535	" " " R.H.
4	LDW 280-54522	" " " FWD		LDW 280-54531	" " " AFT	18	LDW 280-23527	" " " FWD
5	LDW 280-54525	BULKHEAD INSTL L.H.	10	LDW 280-54537	" " " FWD L.H.	19	LDW 280-23550	BEAM " " TRUSS
	LDW 280-54524	" " " R.H.		LDW 280-54534	" " " R.H.	20	LDW 280-23551	" " " AFT
	LDW 280-54526	" " " FWD	11	LDW 280-23540	BEAM ASSY SUPT			
6	LDW 280-54527	" " " AFT	12	LDW 280-23569	SUPT INSTL SCI. EQ BAY			
	LDW 280-23530	PANEL INSTL LH FWD	13	LDW 280-23547	STRUT INSTL LWR			
7	LDW 280-54533	" " " AFT	14	LDW 280-23549	" " " UPPER			



LM
DESCENT STAGE
STRUCTURE
LM-4

P.R.R. 7-14-67
ENGINEERING SCHEDULING 566 +4-67
WAS SK17 50-34

SK-17-51-34