

GRUMMAN AIRCRAFT ENGINEERING CORPORATION  
BETHPAGE, L. I., NEW YORK

SECTION VIII

Caution and Warning

Sig. Ref.	Figure	
H1	31, 32	LGC Warning
H3	31, 32	ICS Warning
H2	31, 32	PCIS Caution

Signal levels, source and load impedances are specified with respect to LM structure.

For measurement numbers and measurement characteristics see Measurements Provisions ICD # LIS 370-10003.

TDRE 38154

JUN 11 1970

INTERFACE CONTROL DOCUMENT

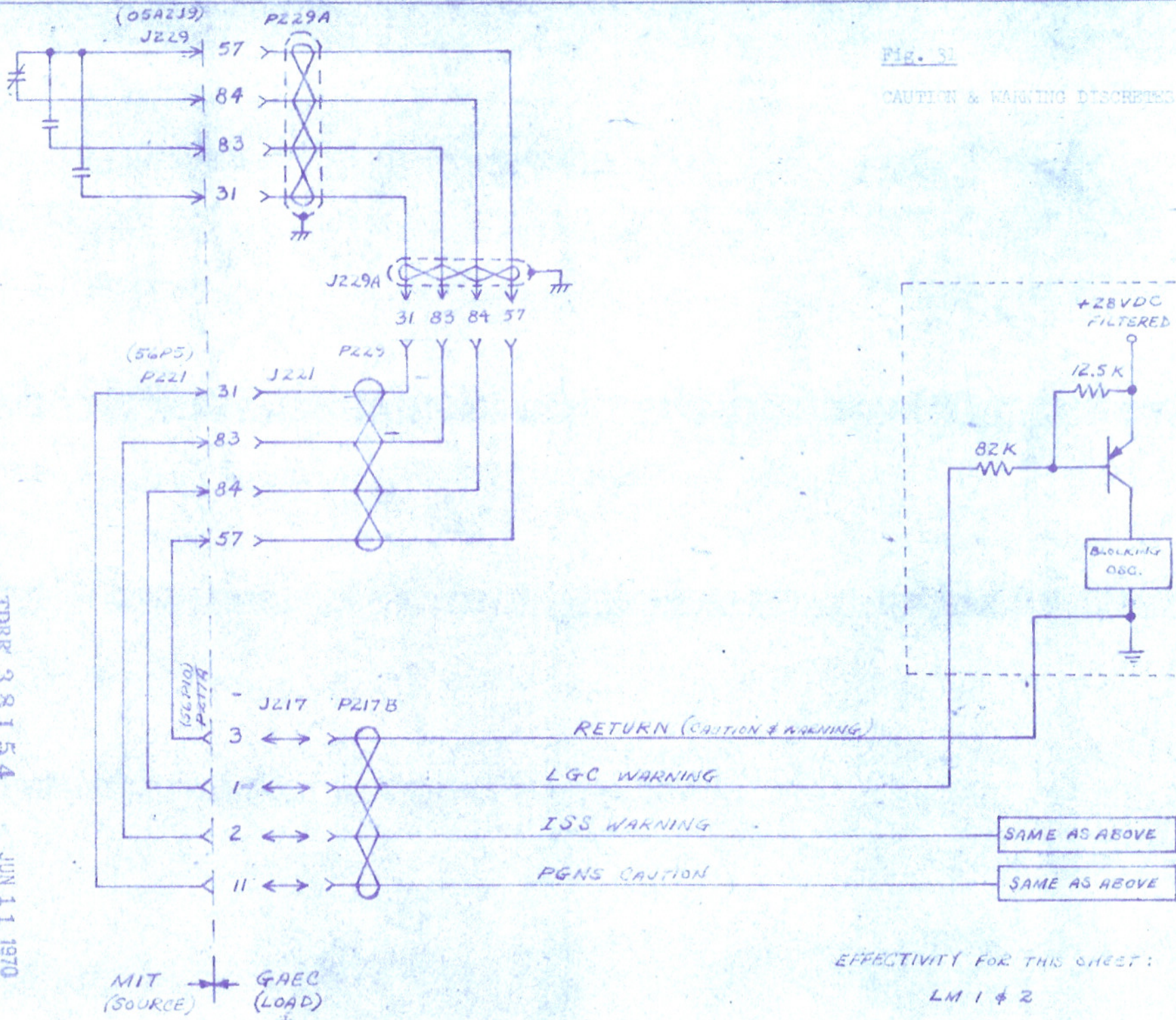
SHEET  
76 OF 114

ICD NO.  
LIS 370-10004

REV  
D



FIG. 31  
CAUTION & WARNING DISCRETES



INTERFACE CONTROL DOCUMENT

SHEET 77 OF 114

ICD NO. DTS 370-10004

REV D

TDRK 3 8 1 5 4

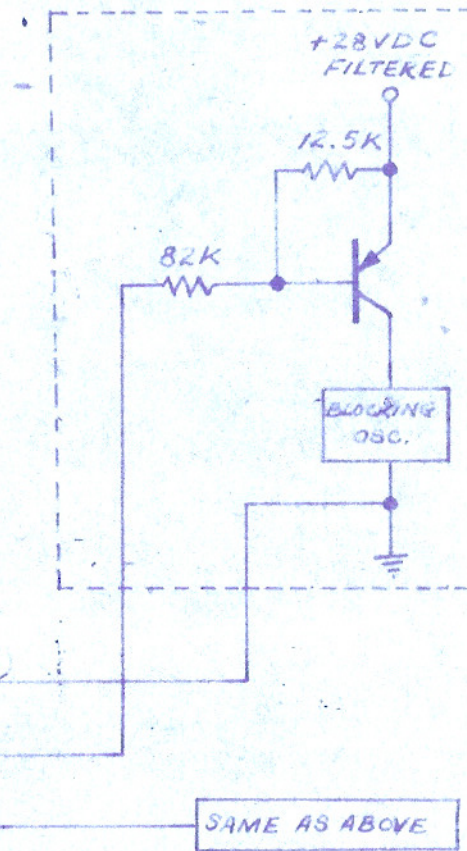
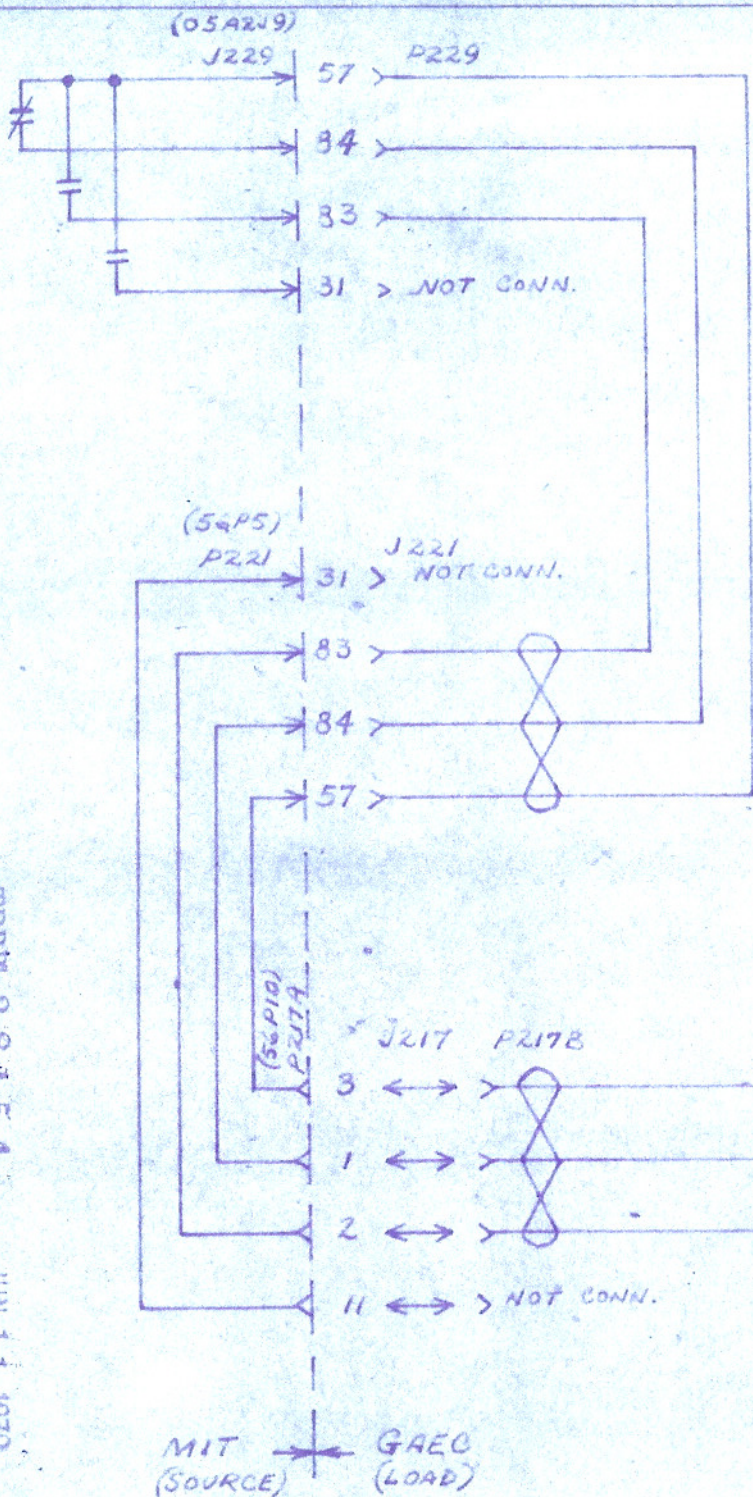
JUN 11 1970

MIT (SOURCE) ↔ GAEC (LOAD)

ENG 37.2 1 M



Fig. 32  
WARNING DISCRETES



EFFECTIVITY FOR THIS SHEET:  
LTA-8, LM 3-15 & SUB

MIT (SOURCE) → GAEC (LOAD)



ID	SIGNAL	SIGNAL LEVEL DC VOLTS		Z SOURCE OHMS $\pm 10\%$		Z LOAD OHMS $\pm 10\%$		FUNCTIONAL DESCRIPTION
		LOGIC		"1"	"0"	"1"	"0"	
		"1"	"0"	"1"	"0"	"1"	"0"	
H1	LGC Warning	0 $\pm$ 2	28 $\pm$ 1.1	CLOSURE	OPEN	82K	94.5K	DSKY relay closure presents a logic "1" to C&W indicating a major malfunction in the computer sub-system of PGNS. (see note below)
H2	PGNS Caution	0 $\pm$ 2	28 $\pm$ 1.1	CLOSURE	OPEN	82K	94.5K	In LM-1 and LM-2, a DSKY contact closure presents a logic "1" to C&W indicating a minor malfunction has occurred in PGNS. In LTA-8 & LM-3 & 5 <sup>AB</sup> , this signal is not connected on the GAEC side of interface.
H3	ISS Warning	0 $\pm$ 2	28 $\pm$ 1.1	CLOSURE	OPEN	82K	94.5K	DSKY relay closure presents a logic "1" to C&W indicating a major malfunction in the inertial sub-system of PGNS.

NOTE: Immediately following LGC turn-on, the LGC may issue an LGC Warning for up to 20 seconds duration.

INTERFACE CONTROL DOCUMENT

TDRR 3 8 1 5 4 JUN 11 1970  
 SHEET 79 OF 114 ICD NO. HIS 370-10004  
 REV D