

MODULAR ELECTRONICS LEARNING (MODEL) PROJECT



OVERCURRENT PROTECTION

© 2020-2024 BY TONY R. KUPHALDT – UNDER THE TERMS AND CONDITIONS OF THE
CREATIVE COMMONS ATTRIBUTION 4.0 INTERNATIONAL PUBLIC LICENSE

LAST UPDATE = 25 AUGUST 2024

This is a copyrighted work, but licensed under the Creative Commons Attribution 4.0 International Public License. A copy of this license is found in the last Appendix of this document. Alternatively, you may visit <http://creativecommons.org/licenses/by/4.0/> or send a letter to Creative Commons: 171 Second Street, Suite 300, San Francisco, California, 94105, USA. The terms and conditions of this license allow for free copying, distribution, and/or modification of all licensed works by the general public.

Contents

1	Introduction	3
1.1	Recommendations for students	3
1.2	Challenging concepts related to overcurrent protection	5
1.3	Recommendations for instructors	6
2	Tutorial	7
2.1	Basic concept review	8
2.2	Conductor heating	10
2.3	Conductor ampacity	12
2.4	Fuses	13
2.5	Circuit breakers	17
2.6	Overcurrent protection coordination	21
3	Historical References	23
3.1	Early circuit breakers	24
3.2	Prototype electrical power transmission system	29
4	Derivations and Technical References	31
4.1	Small-gauge wire ampacities	32
5	Questions	35
5.1	Conceptual reasoning	39
5.1.1	Reading outline and reflections	40
5.1.2	Foundational concepts	41
5.1.3	Wiring a fuse into a circuit	43
5.1.4	Interpreting a fuse curve	44
5.1.5	Magnetic circuit breaker trip curve	45
5.1.6	Dual-element protection curve	46
5.1.7	Applying foundational concepts to a fused circuit	47
5.2	Quantitative reasoning	48
5.2.1	Miscellaneous physical constants	49
5.2.2	Introduction to spreadsheets	50
5.2.3	Interruption rating	53
5.3	Diagnostic reasoning	54

<i>CONTENTS</i>	1
5.3.1 Failed motor circuit	55
A Problem-Solving Strategies	57
B Instructional philosophy	59
C Tools used	65
D Creative Commons License	69
E References	77
F Version history	79
Index	80

Chapter 1

Introduction

1.1 Recommendations for students

Electric current passing through any resistance dissipates energy in the form of heat. If the rate of heat dissipation is too much, the resistance will become dangerously hot. This is the fundamental threat of *overcurrent*, and the intended function of any overcurrent protection device is to automatically halt that circuit's current before this heat poses any serious threat. Electrical safety standards such as the NFPA (National Fire Protection Association) standard 70 and standard 79 specify *ampacity* ratings for both aluminum and copper wires based on the threat of fire ignition caused by overcurrent. *Fuses* and *circuit breakers* are two different types of devices intended to automatically interrupt excessive currents, the former by literally melting and the latter by physically operating a switch mechanism.

Important concepts related to this topic include **Conservation Laws, Ohm's Law, Joule's Law, wire resistance, sources versus loads, thermal imaging, safety standards, opens versus shorts, fuse location, algebraic substitution, fault currents, fuse types, improper fuse ratings, circuit breakers,** and overcurrent protection **coordination**.

Here are some good questions to ask of yourself while studying this subject:

- How might an experiment be designed and conducted to test the current rating of a fuse or circuit breaker? What hypothesis (i.e. prediction) might you pose for that experiment, and what result(s) would either support or disprove that hypothesis?
- What are some practical applications of fuses and circuit breakers?
- How might an experiment be designed and conducted to explore the concept of overcurrent coordination in an electric circuit? What hypothesis (i.e. prediction) might you pose for that experiment, and what result(s) would either support or disprove that hypothesis?
- How might an experiment be designed and conducted to measure the ampacity of a length of electrical wire? What hypothesis (i.e. prediction) might you pose for that experiment, and what result(s) would either support or disprove that hypothesis?

- What is the operating principle of a *fuse*?
- Why is it safer to locate a fuse in particular areas of a circuit?
- Does it matter which side of a current is interrupted by an opening switch or a “blowing” fuse?
- How do fuses compare to *circuit breakers*?
- How does a circuit breaker “know” when to trip?
- How do we determine the appropriate current rating for a fuse or circuit breaker?
- What does *coordination* refer to for overcurrent protection?

1.2 Challenging concepts related to overcurrent protection

The following list cites concepts related to this module's topic that are easily misunderstood, along with suggestions for properly understanding them:

- **Fault current paths** – in order to predict the forms and locations of damage liable to occur with overcurrent faults, we must know the exact pathways that excessive current will take. It is quite possible even in simple circuits that the excessive current resulting from a short-circuit will not pass through *every* conductor in that circuit, or through *the entire length* of every conductor in that circuit. Plotting the fault current pathway for any given short-circuit fault simply consists of sketching the direction current will take between the source(s) and the short-circuit.

1.3 Recommendations for instructors

This section lists realistic student learning outcomes supported by the content of the module as well as suggested means of assessing (measuring) student learning. The outcomes state what learners should be able to do, and the assessments are specific challenges to prove students have learned.

- **Outcome** – Demonstrate effective technical reading and writing

Assessment – Students present their outlines of this module’s instructional chapters (e.g. Case Tutorial, Tutorial, Historical References, etc.) ideally as an entry to a larger Journal document chronicling their learning. These outlines should exhibit good-faith effort at summarizing major concepts explained in the text.

- **Outcome** – Destructively test a fuse’s current rating

Assessment – Intentionally subject a fuse to more current than it’s rated for, ensuring the fuse is properly held in a fuseholder rated for at least that much current, then time how long it takes for the fuse to “blow”. If fuse curve data is available for that fuse, determine how closely the actual trip time compares to the advertised trip time.

- **Outcome** – Independent research

Assessment – Locate fuse datasheets and properly interpret some of the information contained in those documents including current rating, fuse current/time curve(s), maximum interruption current, maximum voltage, etc.

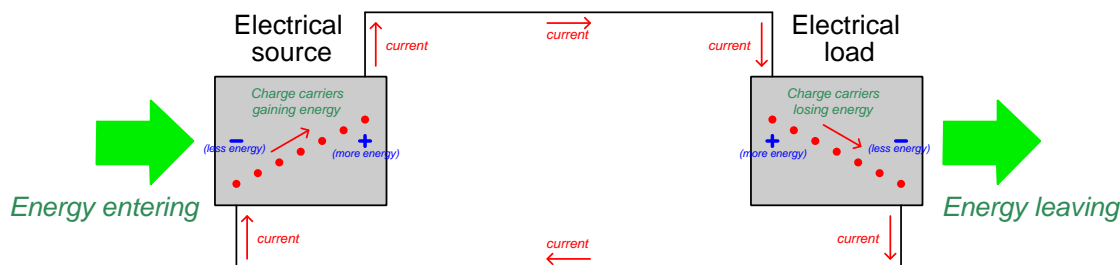
Assessment – Identify wire ampacities using the NFPA 70 (National Electrical Code).

Chapter 2

Tutorial

2.1 Basic concept review

Energy is that which sets matter into motion, and it exists in many forms. If we examine a very simple electric circuit in terms of energy exchange, we see that it must contain an energy *source* and an energy *load*. The source's role is to infuse any electric charge carriers passing through it with additional energy, and the load's role is to extract energy from any electric charge carriers passing through. Sources and loads alike are *energy-conversion* devices, either converting some form of energy into electrical energy or converting electrical energy into some other form of energy.

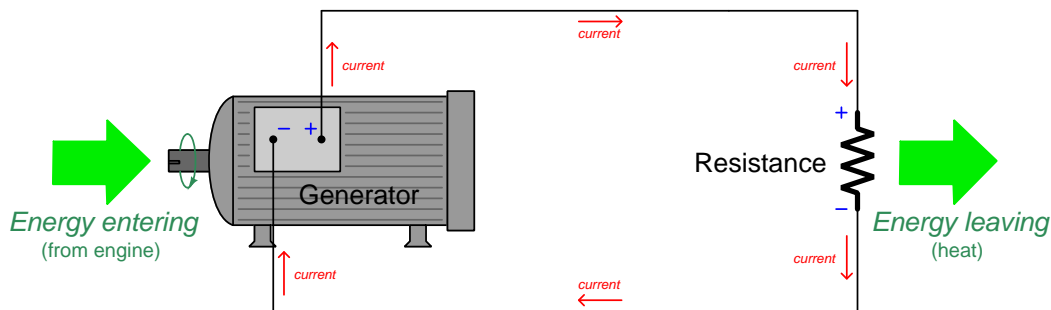


The *Law of Energy Conservation* declares that energy can neither be created nor destroyed, and this means in any electric circuit the total amount of energy converted by the load must be equal to the total amount of energy converted by the source. In other words, the load cannot convert more or less energy than what the source provides it.

Potential energy possessed per quantity of electric charge carriers is called *electric potential*. The amount of electrical potential gained or lost as charges pass through a device is called *voltage* (V) and is measured in *Volts*, which is equivalent to Joules of energy converted per Coulomb of electric charge. A flow of electric charge carriers around a complete circuit – called a *current* (I) – is measured in *Amperes*, which is Coulombs of charge per second. If we multiply current by voltage, the product is called *power* (P) and is measured in *Watts* – Joules of energy converted per second. This is *Joule's Law*:

$$P = IV = \left[\frac{\text{Coulombs}}{\text{second}} \right] \left[\frac{\text{Joules}}{\text{Coulomb}} \right] = \left[\frac{\text{Joules}}{\text{second}} \right]$$

When an electric current passes through a *resistance*, some of the energy possessed by the electric charges energy converts into heat. This represents an extraction of energy from the passing charge carriers, meaning that charge carriers possess more energy (+) entering the resistance than they do when exiting (-), and so there develops a *voltage drop* between the two terminals of the resistance. Here we see a circuit with a mechanical generator (its shaft turned by some form of engine providing the necessary energy) as the source and a resistance as the load:



Consistent with the Conservation of Energy, 100% of the heat dissipated at the resistance comes from the engine spinning the generator's shaft. That energy in turn comes from the fuel powering the engine, and so on.

Electrical resistance (R , measured in *Ohms*, Ω) defines a proportionality between voltage (V) and current (I) known as *Ohm's Law*:

$$V = IR$$

We may use algebraic substitution to combine Joule's and Ohm's Laws for the purpose of having a single equation predicting power as a function of current and resistance. If we view Ohm's Law as being a *definition* of voltage in terms of current and resistance (i.e. IR is interchangeable with V), then we may substitute IR for V in the Joule's Law equation:

$$P = IV \quad V = IR$$

$$P = I(IR)$$

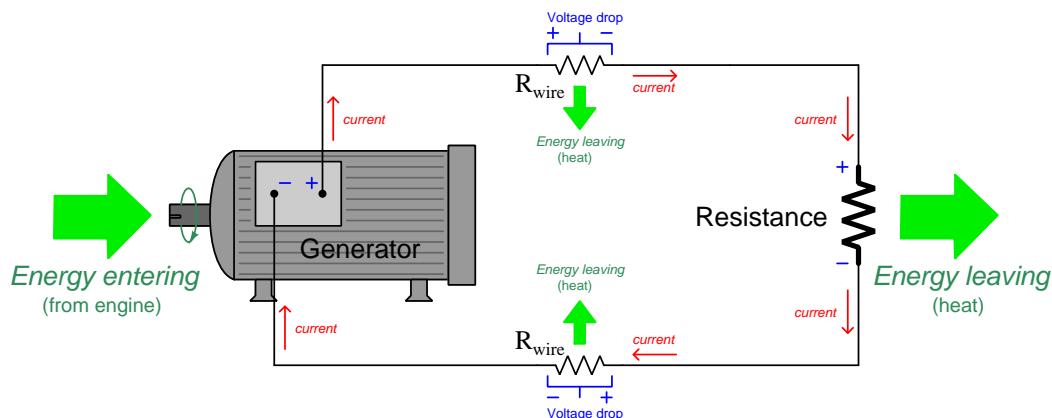
$$P = IIR$$

$$P = I^2R$$

With this equation in hand we have the ability to predict the rate of energy conversion (P) for any known resistance (R) at any known amount of current (I).

2.2 Conductor heating

This form of Joule's Law is useful for predicting the amount of heat dissipated by current-carrying conductors, since we know most conductors possess some resistance. A more realistic version of the circuit showing resistance¹ along the wires stretching between source and load lets us more easily represent the voltage drops and power dissipation. We will represent each wire's resistance as a resistor symbol, even though the actual wire exhibits resistance distributed along its entire length rather than only at one small portion:



Once again the Law of Energy Conservation holds true: the sum total of all energy dissipated by the circuit's resistance (load and wire resistance) equals the amount of energy converted by the generator. If we imagine a single electrical charge carrier moving clockwise in this circuit, it picks up energy from the generator (entering on the low-energy $-$ side and exiting on the high-energy $+$ side) and then it loses energy at three different locations in the circuit: from $+$ to $-$ traversing the upper wire's resistance, from $+$ to $-$ again passing through the resistive load, and from $+$ to $-$ traversing the lower wire's resistance. The sum total of those three energy losses experienced by the moving charge carrier exactly equals the energy it gains passing through the generator.

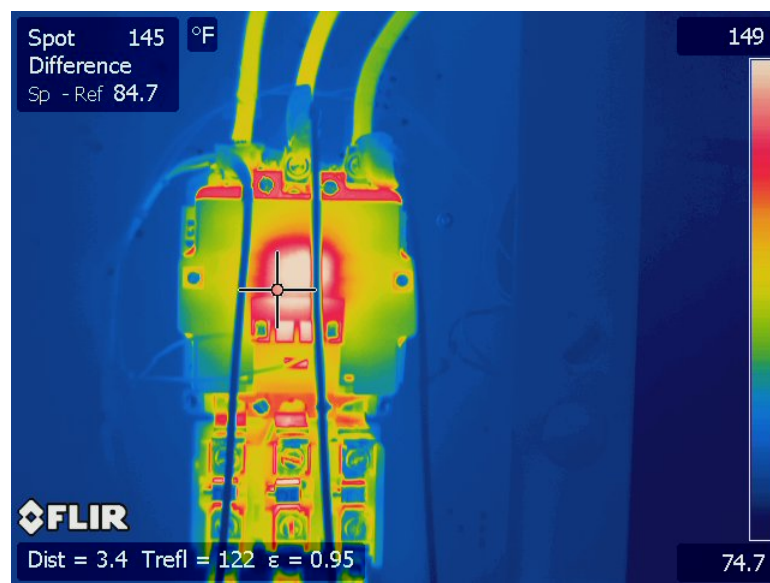
For most applications the amount of energy dissipated by wire resistance is much smaller than the amount of energy dissipated by the load. Although this means it is usually small enough to ignore, it is never zero. As with the load, this dissipated energy takes the form of heat, causing the wires to become warmer in temperature than their surrounding environment. The more current passes through a wire of given resistance, the hotter it will become. This relationship is not linear, either, since power dissipation for any electrical resistance increases with the *square* of current. This means if we double the amount of current passing through any resistance², the power dissipation of

¹Superconducting wires would have absolutely no resistance and dissipate no energy with the passage of electric current, but at the time of this writing superconductivity is not simply practical for most applications. The only known superconductive substances at this time require cooling systems to bring their temperature well below standard ambient conditions before they begin to superconduct!

²This is a useful problem-solving approach for mathematical problems: considering the effects of multiplying an independent variable by some coefficient (factor) and seeing how much of a change this causes for the dependent variable. In this case, using $P = I^2R$ as our equation, P is the dependent variable while I and R are independent variables (literally, P depends on I and R based on how the equation happens to be written).

that resistance increases four-fold ($2^2 = 4$); tripling current causes power to increase by a factor of nine ($3^2 = 9$).

Conductor heating is a very real phenomenon³, as shown by the following *thermal imaging camera* photograph revealing the surface temperature of some wires and electrical components in an industrial application. Thermal imaging cameras represent relative temperature as differences in color, so as to make temperature variations immediately recognizable by anyone viewing the colorized image. Note how some of the wires appear green-yellow on the temperature spectrum (approximately 111 degrees F) while others appear blue (approximately 80 degrees F). The difference in wire surface temperature is purely due to that power dissipation as described by the equation $P = I^2R$:



The hottest areas in this thermal image happens to be the device⁴ these wires attach to. Some of the wires' temperature is due to thermal conduction from this warm device to the metal wires, with the rest due to direct heating of the wires themselves by current passing through them.

Again, in most cases this warming of current-carrying conductors is inconsequential. We generally choose conductors of sufficient cross-sectional area to make their electrical resistance negligibly small, thereby minimizing P by keeping R very low. Conductor heating is definitely a problem, though, if the surface temperature of the conductor becomes high enough to melt its plastic insulation, and/or ignite some flammable material nearby. In such cases $P = I^2R$ is no longer a mathematical abstraction, but a very real safety hazard!

³This phenomenon is relatively easy to experimentally prove as well. All you need to do is feel the surface temperature of an electrical power cord for some high-wattage appliance such as a hair dryer, hotplate, or power tool under continuous use. Using nothing but your hand, you will be able to sense a definite rise in temperature as that appliance is used.

⁴This device happens to be a *contactor* used to control power delivered to a three-phase AC electric motor. Contactors are really just large electrical *relays*: on/off switch mechanisms actuated by the magnetic field produced by a small-gauge wire coil. In fact, the hottest spot on this image is the center of the contactor where the thermal imaging camera senses heat emanating from that wire coil assembly.

2.3 Conductor ampacity

Professional electrical standards declare maximum allowable amounts of electric current for different sizes of metal wire and for different insulation compositions, one of the best-known standards within North America being the *National Electrical Code* or *NEC*, developed and reviewed on a three-year cycle by the *National Fire Protection Association* in the United States. Also known as *NFPA 70*, the National Electrical code specifies maximum allowable current (called *ampacity*) for typical residential, commercial, and industrial power circuits in Article 310 (“Conductors for General Wiring”). Not only do these ampacity values vary with the wire metal type (e.g. aluminum versus copper) and insulation type (thermoplastic versus mineral-based), but also with the particular installation. For example, conductors bundled together inside of a “raceway” such as electrical conduit are more susceptible to temperature rise than wires suspended in open air or buried directly in the soil due to the relative lack of natural cooling in the enclosed and stagnant environment of the raceway.

Conductors used for small electrical and electronic circuits are typically much smaller (i.e. higher *American Wire Gauge* number) than those specified in Article 310 of the National Electrical Code because the NEC focuses on *facility* power wiring. *NFPA 79 (Electrical Standard for Industrial Machinery)*, with its focus on the internal wiring of machinery, specifies characteristics of wires over a wider range than the NEC. The following table summarizes some of the *NFPA 79* specifications for smaller-gauge single copper conductors, assuming single conductors in free air attaining a temperature of no more than 60 °C:

AWG size	Cross-sectional area	Resistance per 1000 ft	Ampacity
24 gauge	-----	-----	2 Amperes
22 gauge	0.324 mm ²	17.2 Ω @ 25 °C	3 Amperes
20 gauge	0.519 mm ²	10.7 Ω @ 25 °C	5 Amperes
18 gauge	0.823 mm ²	6.77 Ω @ 25 °C	7 Amperes
16 gauge	1.31 mm ²	4.26 Ω @ 25 °C	10 Amperes
14 gauge	2.08 mm ²	2.68 Ω @ 25 °C	15 Amperes
12 gauge	3.31 mm ²	1.68 Ω @ 25 °C	20 Amperes
10 gauge	5.261 mm ²	1.060 Ω @ 25 °C	30 Amperes

2.4 Fuses

This is why power circuits must be protected from “overcurrent” conditions: so their wires don’t get too hot and start a fire in the event that the load (or some fault in the circuit) causes current to exceed its normal value. A simple and reliable means of overcurrent protection consists of a thin-gauge length of wire inserted within the circuit, designed to disintegrate at some value of current less than or equal to than the wires’ ampacity. This thin wire segment is called a *fuse*.

In an old book entitled *Protective Relays* written in the year 1921, author Victor Todd describes the evolution of electrical fuses as a protective technology for electrical power circuits. His account is still instructive to modern readers:

When the first electric generators were built and installed, no provision was made for disconnecting them automatically from the lines in case of trouble such as overload or short-circuits. This was overlooked for two reasons: (1) It was not considered detrimental to have service interrupted, and the electric system was more or less a novelty and in the experimental stage, and (2) the design of generators and prime movers was such that in case of heavy overload either the prime mover would stop, or the belt fly off, or the voltage drop so low that no electrical damage could be done.

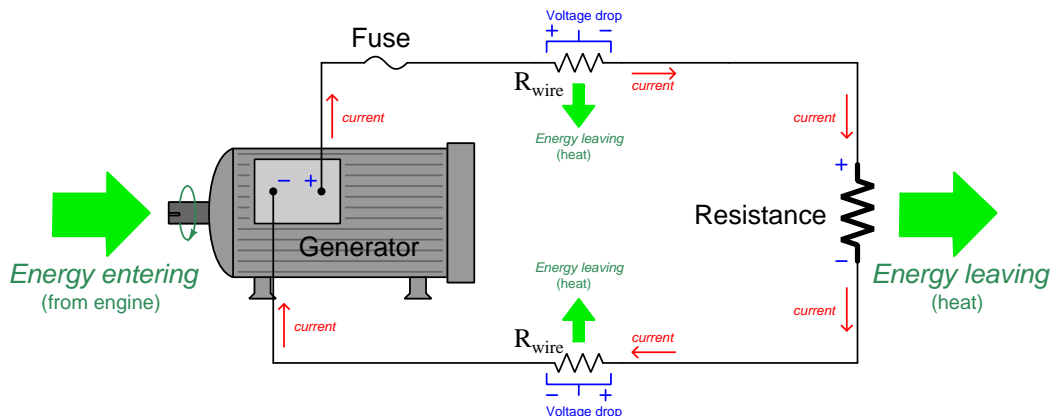
However, as the mechanical and electrical design of generators and prime movers was gradually improved, the increased current would burn out the weakest spot in the system; sometimes this was the armature, sometimes in the wiring and sometimes in the switches. Naturally the result was to insert intentionally a weak spot at some convenient point in the system, by connecting a piece of wire much smaller than the main wires, so that when the overload occurred, this wire would burn out and then the operator know just where to go and look for trouble when the power went off. This was the first fuse.

Installing the fine wiring near inflammable material led to another trouble; i.e. fire risk, as during a heavy short-circuit, the wire was melted, and the red-hot metal thrown violently in all directions.

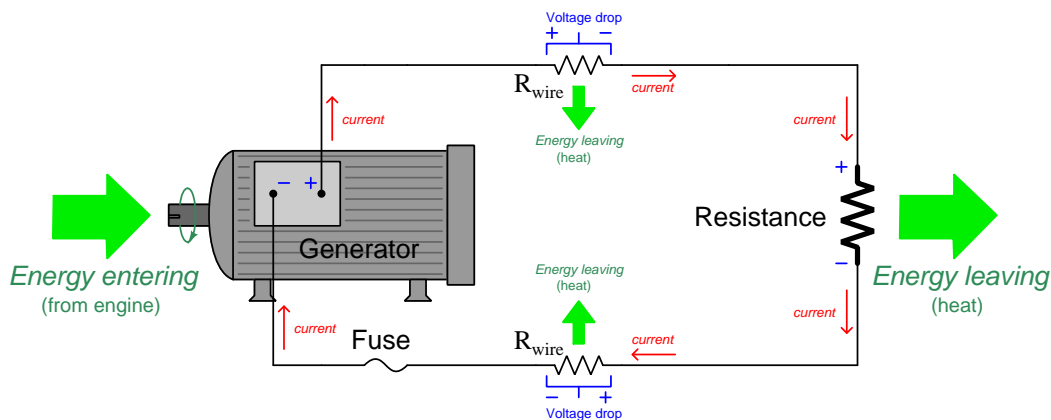
The remedy was to enclose the fuse in an insulating non-inflammable tube to prevent fires, and also to provide fuse blocks and clips so that the fuses could be replaced easily in case of an overload blowing them out. [page 1]

Even today, there is no other piece of apparatus which can excel a properly designed fuse for reliability, and no matter what other protective apparatus is installed, as will be described later, there is hardly an installation which does not have fuses as an absolute guarantee of protection against heavy overloads, should the other protective apparatus fail. [page 2]

Todd's words from a century ago still ring true today: the extreme simplicity of fuses makes them reliable, and reliability is one of the most important aspects of any safety device. Augmenting our example circuit with a fuse is quite simple:



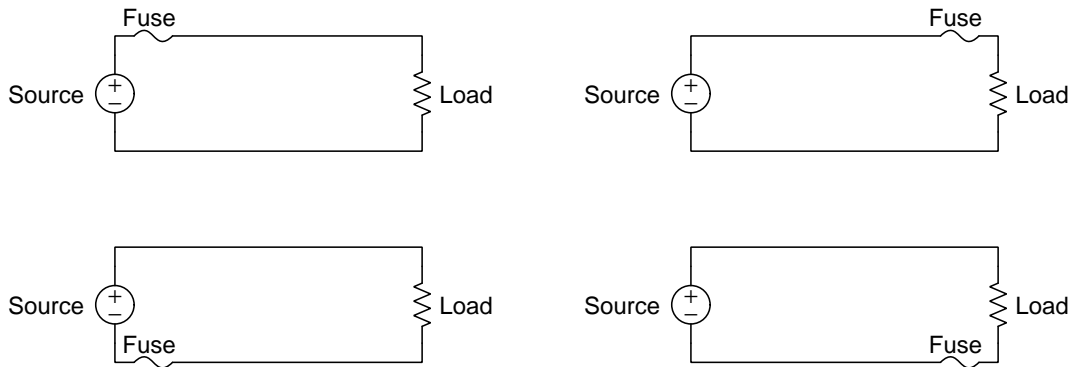
The exact placement of this fuse in the circuit matters less than one might think. We could, for example, relocate the fuse to the other wire and it would serve its purpose just as well:



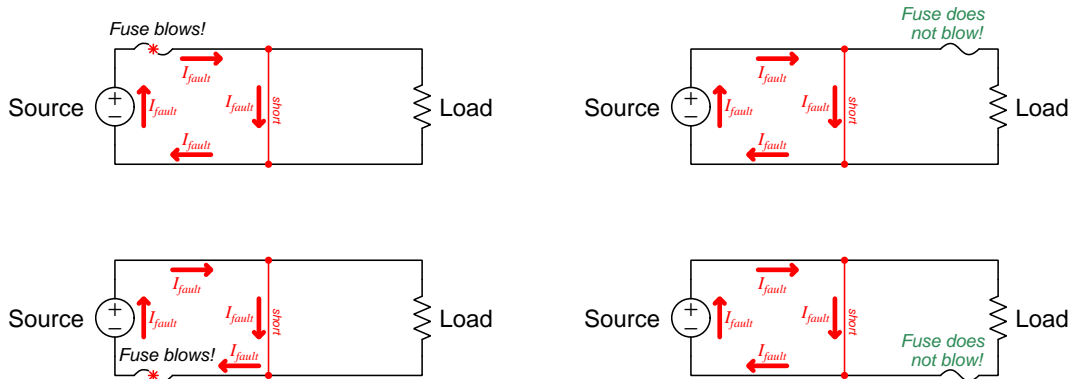
In either location, if the fuse “blows” and becomes an *open*, it instantaneously halts current everywhere in this simple circuit. The same would be true of a *switch* installed anywhere in-line with the circuit: opening that switch prevents the motion of electric charge carriers through it, and by doing so this in turn prevents charge carrier motion throughout the entire circuit⁵.

⁵This is a consequence of the *Law of Electric Charge Conservation*. With charge carriers unable to pass through the open component (fuse or switch), a continuous flow of charge carriers becomes impossible because that would imply charges disappearing when they reach the first open terminal and reappearing again at the second open terminal to complete the loop. Only *transient* currents such as static-electric discharges are possible without a circuitous loop. This cessation of current when the switch opens is very nearly instantaneous: the progression of charge carriers stopping in the circuit propagates at the speed of light (3×10^8 meters per second!).

This is not to say, however, that fuse location is irrelevant. There are good reasons for locating a fuse as physically close to the source as possible. Consider these four circuit examples, each one with a constant-voltage source, a resistive load, and a fuse:

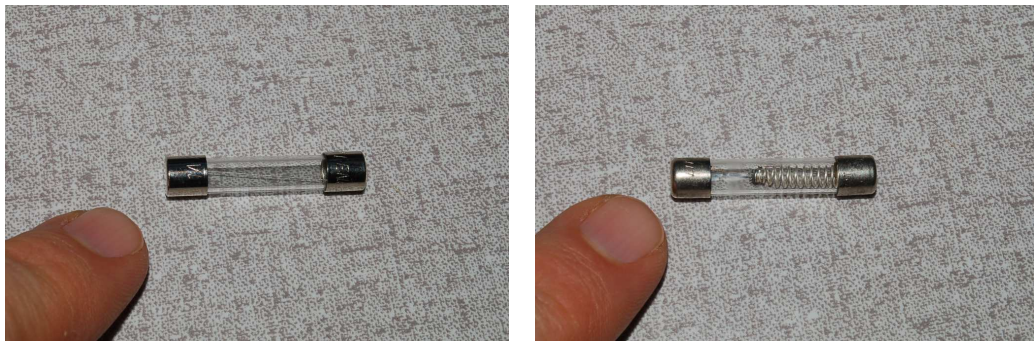


If we imagine an accidental *short-circuit* placed in each one mid-way between the source and load, we see exactly why fuse location is important:



In circuits having the fuse located physically closest to the source, the fuse's protection extends to *all* of the circuit's wiring and will force current to a zero-state condition immediately after it blows. In cases where the fuse is located closer to the load, some of the wiring (as well as the source) remains susceptible to damage from overheating in the event of a short-circuit because the fuse does not blow and could not interrupt that particular fault current path even if it did.

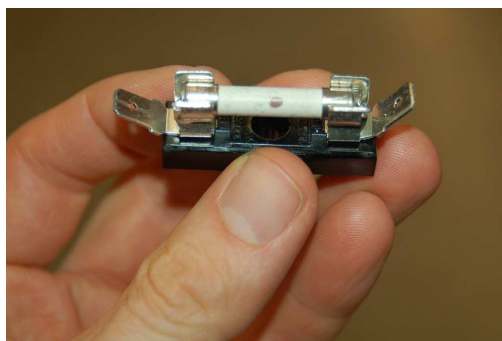
A pair of glass-cartridge fuses of the type typically found inside electronic apparatus appear in the following photographs, the left-hand fuse being a “fast-acting” AGC-type fuse and the right-hand fuse being a time-delayed (“slow-blow”) MDL-type fuse:



The numerical value immediately following the lettered fuse type denotes the maximum continuous current rating of that fuse in Amperes. For example, an AGC-5 fuse would be a fast-acting glass cartridge fuse rated for 5 Amperes, while an MDL-20 would be a time-delayed glass cartridge fuse rated for 20 Amperes. It should be understood that AGC and MDL are but two of many different cartridge fuse types, other letter combinations referring to different cartridge dimensions and delay times, and any questions about specific fuse characteristics are best answered by referring to manufacturer datasheets.

Fuses also have *voltage* ratings, referring to the maximum voltage permissible across the fuse after it has been blown open. This is important, as the source’s voltage value plays a role in determining how far an electric *arc* may travel through the air space within a blowing fuse⁶.

Shown below is one style of *fuseholder* designed to hold cartridge-style fuses. The particular fuse shown in this fuseholder happens to have a *ceramic* rather than glass tube:



⁶As a fuse blows, part of its metal filament vaporizes. The combination of high air temperature and the presence of metal ions suspended in the air allow electricity to travel through that space, at least for a short period of time. A fuse with insufficient voltage rating may sustain an electric arc when blown, which not only fails to interrupt the fault current but also dissipates heat at the fuse itself which may pose a fire hazard.

2.5 Circuit breakers

A more sophisticated overcurrent protection device is the *circuit breaker*, basically a switch whose mechanism is automatically driven by excessive current into the open (or “tripped”) state and generally must be re-set (closed) by human intervention. Circuit breakers may be *thermally* actuated, *magnetically* actuated, or as in the case of large power-system circuit breakers commanded to trip by an external electrical signal sent by some other protective device.

Thermal circuit breakers utilize a thin strip of metal to conduct the electric current, this thin strip actually comprised of two metals with dissimilar expansion coefficients, such that it begins to *bend* when heated by the I^2R effect of the passing current. When the force of the strip’s bending action is enough to trip the mechanism, the switch contacts fly open by the action of a tensed spring and the circuit is interrupted. Thermal circuit breakers have relatively slow tripping times, generally much slower than the slowest fuse.

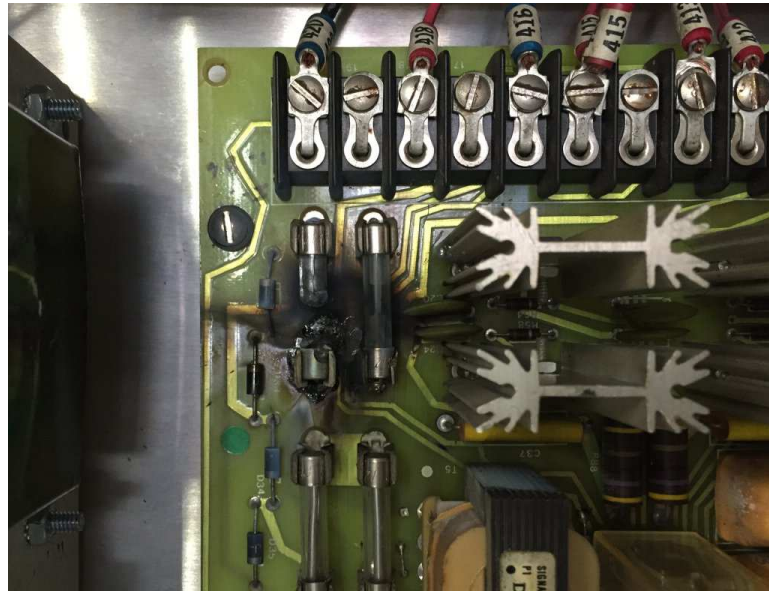
Magnetic circuit breakers utilize a coil of wire to conduct the electric current, and use the magnetic field created by the passage of electric current through the wire coil to attract an iron armature which similarly releases the spring mechanism to open the switch contacts and interrupt the circuit. Magnetic circuit breakers have fast tripping times.

Once again we find valuable insight into the origins of circuit breakers by learning from historical references. Here is Victor Todd again, commenting on circuit breakers as an alternative to fuses circa 1921:

The greatest objection to fuses was the maintenance cost, or cost of replacement, as every time a fuse blew out, it meant a new fuse, and as the current capacity of the system went up, every new fuse meant considerable money. Not only that, but it took some time to locate and replace a fuse and besides, if a new fuse were not immediately at hand, there, was a severe temptation to use a convenient piece of copper or solder-wire to complete the circuit, thus again introducing a hazard. This improper replacement of fuses is one of the deepest-rooted evils in the electrical industry and is alone responsible for thousands upon thousands of dollars’ worth of damage by fire every year, in addition to burning out of many motors, generators and other apparatus.

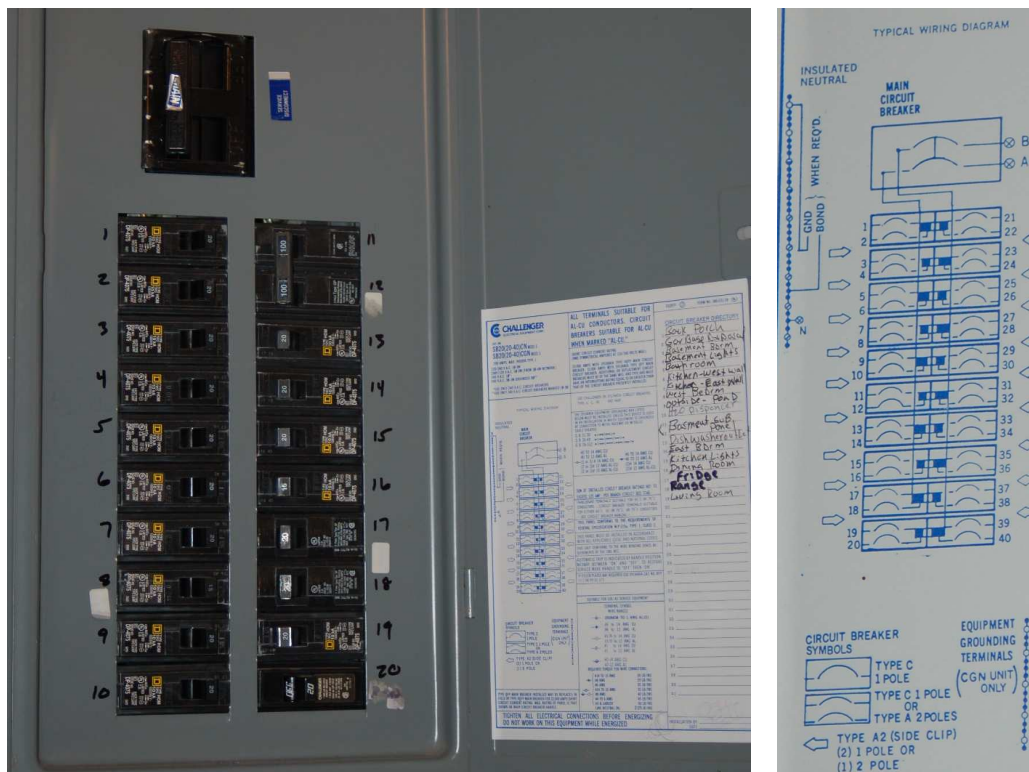
In order to eliminate this replacement expense, as well as restore service in a minimum of time, it was found necessary to develop an automatic switch which would open the circuit in the event of trouble. This was the forerunner of the present circuit breaker. There were many types developed and successfully used, but the principles and objects accomplished were all the same; a coil carrying the main current was arranged to either attract an armature fastened to the switch blade and thus open the switch directly, or to attract an armature which in turn released a spring, thus allowing the spring to open the switch. [page 2]

In the following photograph we see the aftermath of this “deep-rooted evil” on the relatively small scale of a printed circuit board. This printed circuit board for an industrial electronic device has four cartridge-type fuse holders, and in one of these holders was placed a 30 Ampere fuse when the proper size was 3 Amperes. When a short-circuit fault occurred in that circuit branch, the fault current was great enough to destroy the copper traces on the circuit board which function as conductors. The 30-Ampere fuse did eventually melt, but long after the damage was done to the rest of the circuit:



It is worth noting that residential overcurrent protection used to take the form of fuses, and even to this day it is possible to find old homes with *fuse panels* rather than *circuit breaker panels*. However, circuit breakers all but replaced fuses in residential power systems for the exact same reason Todd gives: the temptation for homeowners to replace blown fuses with fuses that were too large, or in some cases by shorting past the fuse entirely using a metal coin inserted beneath the fuse's screw-in socket⁷!

Photographs of a typical residential service panel (left) and a close-up of the factory wiring diagram (right) are shown below:



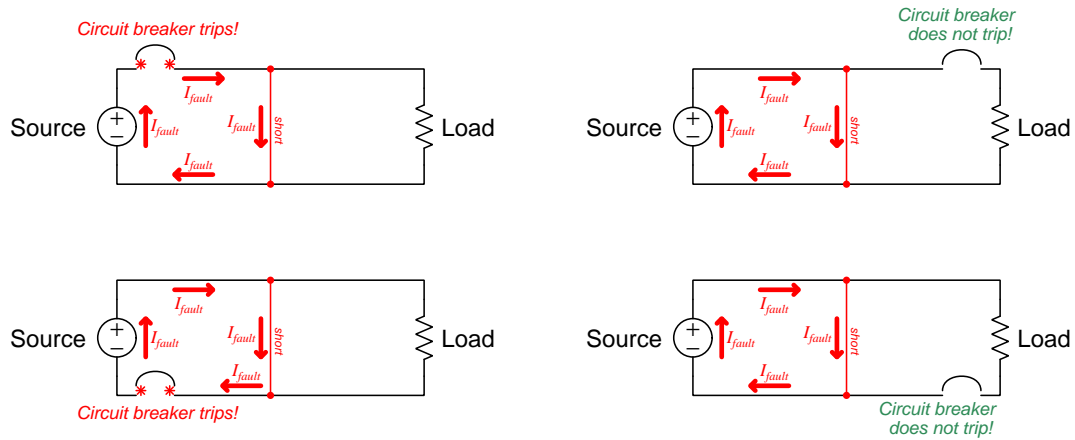
Standard residential circuit breakers contain both thermal and magnetic trip mechanisms, allowing them to trip appropriately for mild overcurrent conditions (i.e. after a certain amount of time has passed) as well as extreme overcurrent conditions (i.e. instantaneously). A new circuit breaker technology required by the NEC in certain locations⁸ beginning with the 1999 edition is the so-called *arc fault circuit breaker*. This type of circuit breaker utilizes a sensitive electronic circuit housed inside the molded circuit breaker case to decide if the fault current profile resembles that of

⁷Most residential fuses used an Edison-base threaded socket, identical in size and thread pitch to standard electric lamp sockets. Each fuse was a ceramic assembly that screwed in to its socket, and could be bypassed by inserting a metal coin such as a copper penny into the socket and then threading the blown fuse on top of it to hold it in place.

⁸The 2017 edition of the National Electrical Code lists these areas in Article 210.12, including dwelling unit kitchens, family rooms, dining rooms, living rooms, parlors, libraries, dens, bedrooms, sunrooms, recreation rooms, closets, hallways, and laundry rooms.

a dangerous arc⁹, and trips the breaker using a “trip signal” rather than the breaker’s own thermal or magnetic mechanisms.

Proper circuit breaker location follows the same rationale as fuse location, and for the same reason: the breaker should “trip” and interrupt fault current for as many overcurrent scenarios as possible, including accidental short-circuits independent of the load. This means locating the circuit breaker as physically close to the source as possible:



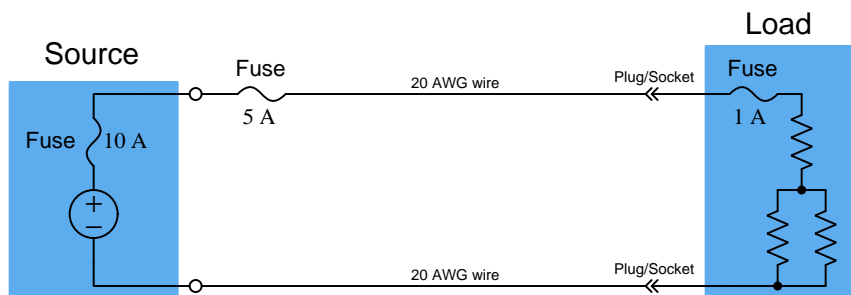
Whether using fuses or circuit breakers for overcurrent protection, the identity of the protected element(s) varies with application. With permanently-connected loads the fuse or circuit breaker may be sized to protect the load from further damage if it develops an internal fault causing excessive current. Similarly, an electrical source may have its own dedicated fuse sized to protect its internal components from overheating in the event of a fault. In an application where the load disconnects from the source by means of a plug-and-socket connector (e.g. a standard household wall receptacle), however, one cannot predict the type of load that might be plugged in at any given time, and so it is unreasonable to expect a pre-chosen fuse or circuit breaker to properly protect any unknown load from internal damage in the event of a fault.

For example, if the wiring installed in the wall of a residence is 14 gauge copper (with an ampacity of 20 Amperes), then the circuit breaker will be sized at 20 Amperes to protect *those wires* against overheating. However, if a small appliance normally drawing a current of 1 Ampere is plugged into that receptacle and it happens to develop an internal fault causing it to draw 5 Amperes (i.e. 5 times normal current), the 20-Ampere circuit breaker will not interrupt this 5-Ampere fault current because it is well below the wiring’s rating. Thus, fuses and circuit breakers sized to protect power distribution wiring cannot be relied upon to protect disconnectable loads from damage resulting from internal faults.

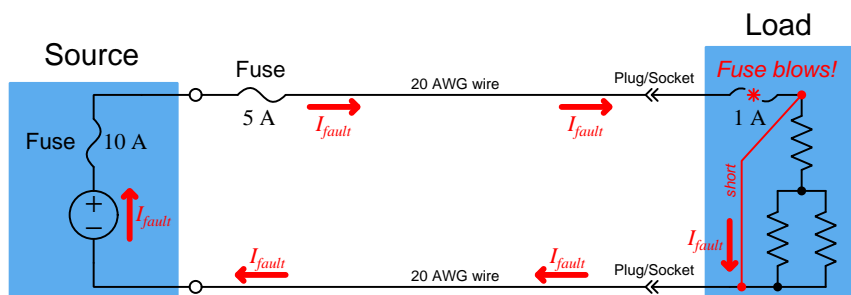
⁹The technical term for this is a *non-operational arc*, as opposed to an “operational arc” which one would expect to find in a brush-type electric motor load.

2.6 Overcurrent protection coordination

Consider the following scenario, where a student wishes to energize some sort of load with a source. The source is designed by its manufacturer to have a 10 Ampere maximum current rating, and so it contains its own 10 Ampere fuse. The load also comes equipped with its own fuse, sized appropriately for the normal expected amount of load current (1 Ampere or less, in this case). The student plans on using 20-gauge wire (20 AWG) which is rated at 5 Amperes maximum, and so they place their own 5-Ampere fuse close to the source:

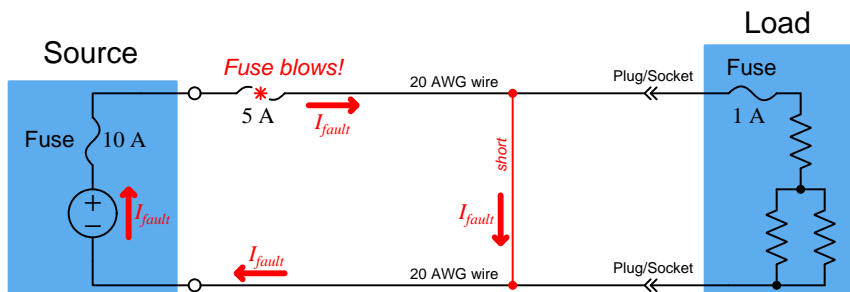


Suppose a short-circuit happens to occur internally to the load, resulting in a fault current greater than 10 Amperes. The load's own 1-Ampere fuse will blow¹⁰ as a result:

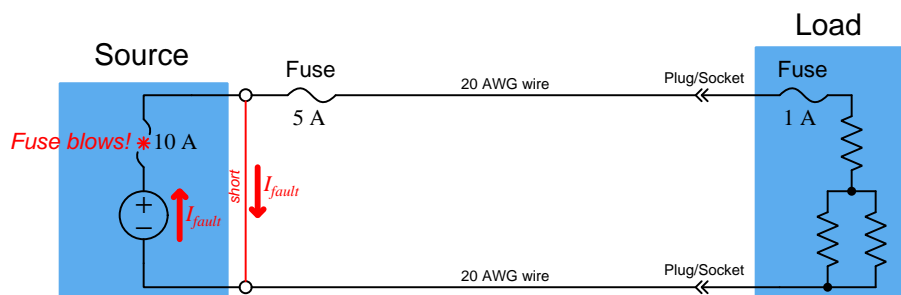


¹⁰A fault current greater than 10 Amperes will of course exceed *all* the fuses' ratings, but the 1-Ampere fuse has a "weaker" filament than the others and will vaporize first, and in so doing will interrupt the fault current before the other fuses have a chance to do the same.

If a short-circuit occurs between the two 20 AWG wires, no fault current passes through the load and so the 5-Ampere fuse will blow:



The source's own internal fuse will blow only if a short-circuit happens to develop directly across its terminals:



All of this may seem needlessly complicated to the uninitiated. Why not just have *one* fuse, located as close to the source as possible, and size that fuse as conservatively as possible to protect the weakest element of the circuit (in this case, the 1-Ampere load)? The answer to this question is that by doing so you would need to replace that one fuse every time the weakest element in the circuit changed. For example, if one day you unplugged the 1-Ampere load and replaced it with a load expected to draw 2 Amperes, that 1-Ampere fuse would have to be upgraded. Another reason for having multiple fuses like we have shown here is to have *backup* protection in case one of the lower-rated fuses happens to fail¹¹ and does not blow as quickly as it should.

Placing multiple fuses or circuit breakers in a circuit, each with different ratings based on the ampacity of wires and components between it and the source, is called *overcurrent protection coordination*, and is an important concern when designing electrical power circuits¹².

¹¹For example, if the load's fuse got accidentally replaced with a fuse rated for 8 Amperes instead of 1.

¹²Coordination becomes more complex when we are designing circuits with multiple loads and/or multiple sources, such as in the case of electrical power grids delivering electricity from points of generation to points of use across vast distances!

Chapter 3

Historical References

This chapter is where you will find references to historical texts and technologies related to the module's topic.

Readers may wonder why historical references might be included in any modern lesson on a subject. Why dwell on old ideas and obsolete technologies? One answer to this question is that the initial discoveries and early applications of scientific principles typically present those principles in forms that are unusually easy to grasp. Anyone who first discovers a new principle must necessarily do so from a perspective of ignorance (i.e. if you truly *discover* something yourself, it means you must have come to that discovery with no prior knowledge of it and no hints from others knowledgeable in it), and in so doing the discoverer lacks any hindsight or advantage that might have otherwise come from a more advanced perspective. Thus, discoverers are forced to think and express themselves in less-advanced terms, and this often makes their explanations more readily accessible to others who, like the discoverer, comes to this idea with no prior knowledge. Furthermore, early discoverers often faced the daunting challenge of explaining their new and complex ideas to a naturally skeptical scientific community, and this pressure incentivized clear and compelling communication. As James Clerk Maxwell eloquently stated in the Preface to his book *A Treatise on Electricity and Magnetism* written in 1873,

It is of great advantage to the student of any subject to read the original memoirs on that subject, for science is always most completely assimilated when it is in its nascent state . . . [page xi]

Furthermore, grasping the historical context of technological discoveries is important for understanding how science intersects with culture and civilization, which is ever important because new discoveries and new applications of existing discoveries will always continue to impact our lives. One will often find themselves impressed by the ingenuity of previous generations, and by the high degree of refinement to which now-obsolete technologies were once raised. There is much to learn and much inspiration to be drawn from the technological past, and to the inquisitive mind these historical references are treasures waiting to be (re)-discovered.

3.1 Early circuit breakers

An early model of hand-reset circuit breaker is shown in this set of illustrations from page 9 of Victor Todd's book *Protective Relays – their theory, design, and practical operation* published in 1922:

CIRCUIT BREAKERS AND RELEASES

9

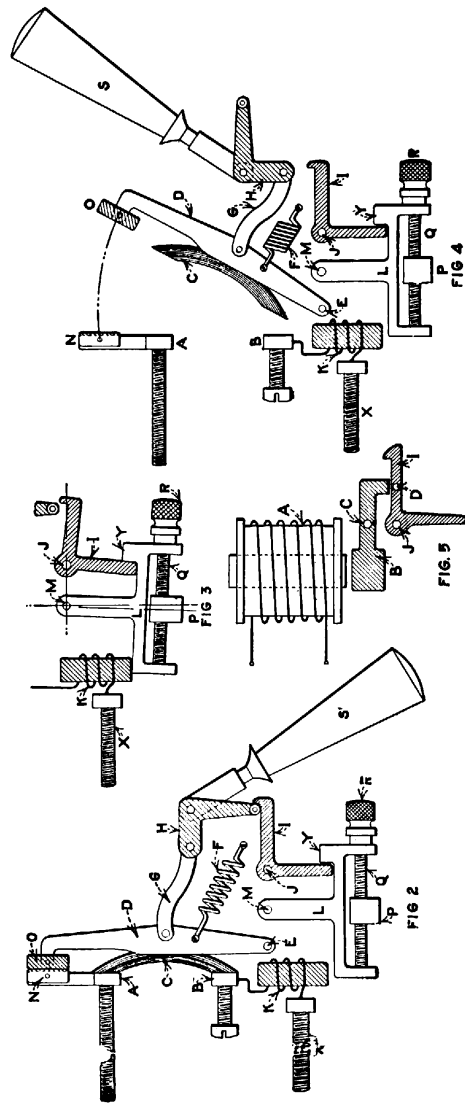


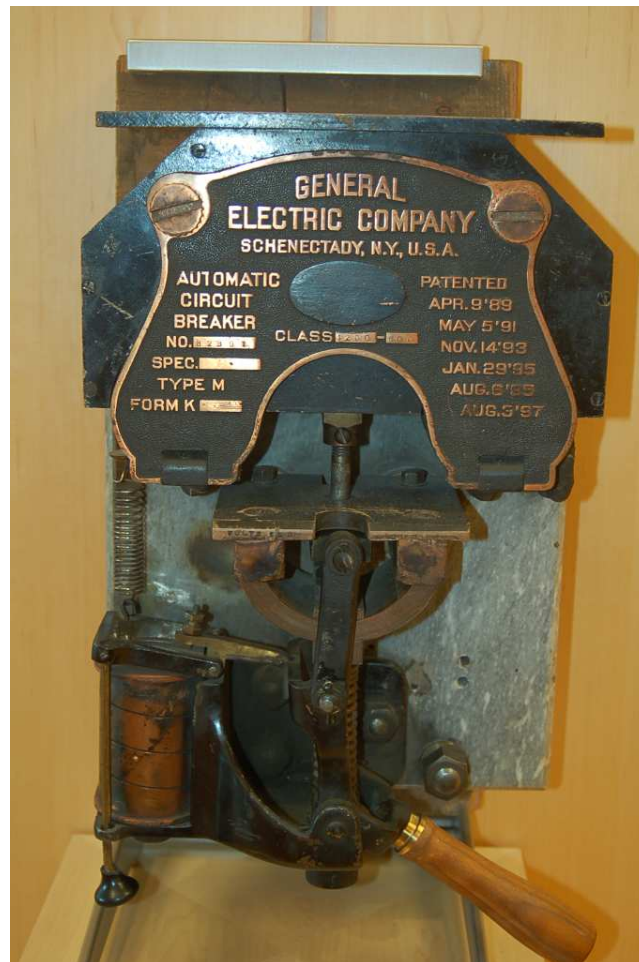
FIG. 2.—Schematic arrangement of typical circuit breaker.
 FIG. 3.—Breaker at instant of tripping.
 FIG. 4.—Breaker tripped.
 FIG. 5.—Shunt trip attachment.

Figures 2 and 4 show a series-connected trip coil directly energized by the line current, in order to make the circuit breaker self-tripping. A shunt trip coil shown in Figure 5 replaced the series trip coil and permitted remote tripping via operator switch and/or protective relay(s). The breaker's line and load terminals are A and B, with C being a section of copper bridging the gap between

copper contact pads A and B to close the breaker. Contact pads N and O are the last to break as the circuit breaker trips, and being made of carbon rather than metal they tend to wear better under the influence of arcing.

It is interesting to note that these circuit breakers were quite slow to trip compared to modern AC power breakers. A typical tripping time (cited on page 71 of Todd's book) for a circuit breaker was 0.2 seconds. At a power system frequency of 60 Hz, 0.2 seconds equates to 12 cycles. Modern power breakers typically interrupt the arc in 2 to 3 cycles' worth of time following a trip command.

A photograph of a circuit breaker made by General Electric in the 1890's appears here:

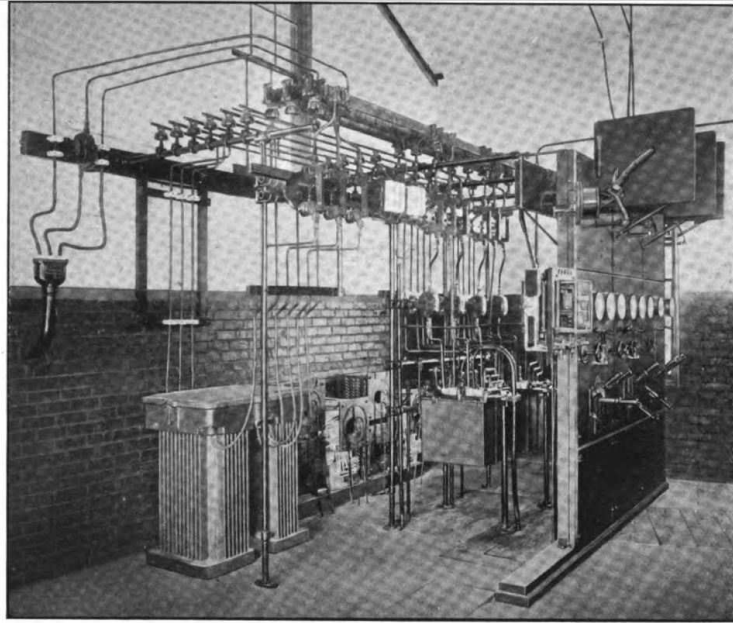


The trip coil is plainly visible in this close-up photograph:



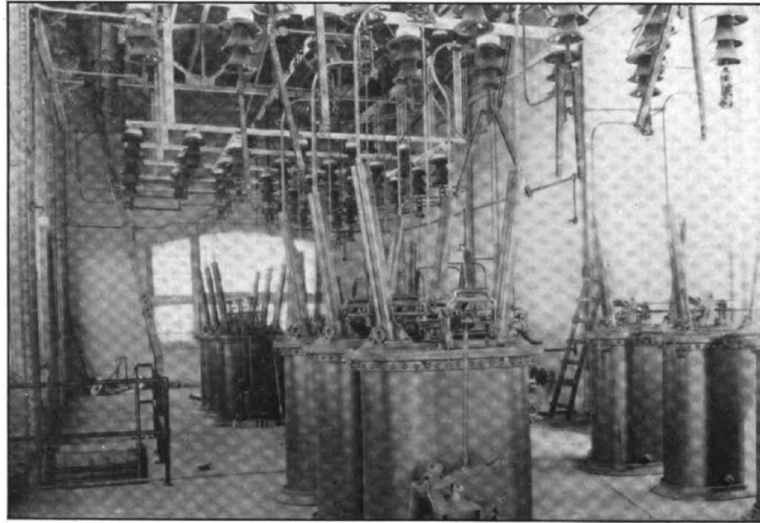
This particular trip coil uses a wide strip of copper for its *four* turns, suggesting a high current necessary to “pick up” the trip mechanism and trip the breaker. Like the breaker diagram shown on page 9 of Victor Todd’s book, this breaker’s trip coil was wired directly in series with the breaker contacts which meant it carried full load current. Only a current of sufficient magnitude (i.e. a fault) could generate enough magnetic attraction to operate the trip mechanism. You may also see the dark-colored armature in this photograph, which when pulled downward toward the coil releases the spring-loaded breaker mechanism which consequently pulls the contacts apart to form an open circuit.

The following photograph, taken from a 1912 edition of *Cassier's Magazine*, shows a 1500 Volt substation constructed with remote linkages connecting hand levers to the switch blades, in order to improve the safety for any personnel operating these switches:



1,500-VOLT SWITCHBOARD EQUIPMENT SUB-STATIONS, PLEDMONT TRACTION COMPANY, ARRANGED FOR REMOTE HAND CONTROL, ELIMINATING DANGER OF ACCIDENTS. WESTINGHOUSE ELECTRIC & MANUFACTURING COMPANY

The next photograph, from page 571 of Volume 41 of *Cassier's Magazine* (1912), shows sets of oil-quenched circuit breakers operating in an indoor switchyard at 66 kiloVolts:



OCCOEE RIVER PLANT. THE 66,000-VOLT OIL SWITCHES

3.2 Prototype electrical power transmission system

A detailed explanation of the pros and cons of transmitting power by various means is presented in an article entitled “The Transmission of Power” written by Carl Hering in Volume 1 of *Cassier’s Magazine*, an engineering periodical started in 1891. Hering makes the case for efficient transmission of power over long distances by electricity versus by other means, including belts and shafts (page 449), by pressurized water (pages 449-450), by steam (page 450), by fuel gas (page 450), by compressed air (page 450), and by coal over railroad (page 450).

Apropos to our topic of overcurrent protection, Hering mentions the high-voltage power line conductors used in this system as well as the primitive fuses built to protect it.

The line consists of three bare, hard-drawn, copper wires, 4 millimeters in diameter (slightly less than a No. 6 B. & S. wire), having a resistance of about 2 Ohms per mile. The distance being 108.6 miles, the resistance of each wire is about 217 Ohms, which, with 5 amperes, makes a loss of about 1000 volts on each of the three lines. The lines were run on poles with one cross-arm 16 feet above the ground, the wires being one meter from another. There were 3227 poles, at 200 feet spans : each pole had a skull and crossbones painted on it to indicate the sure fate of anyone who could not keep his hands off. There were 3000 large porcelain insulators, 8 inches in diameter, made in two parts and with three oil grooves, and 6500 small ones, made in one piece and with one oil groove. The only apparatus connected with the high-tension circuit was the fuse wire and a short-circuiting device to replace the switches for opening the circuit. The fuses for each of the three lines consisted of two copper wires in parallel, each .15 millimeters in diameter (between Nos. 34 and 35 B. & S. gage) and 2 meters in length. They were stretched between two poles outside of the building. They were exploded (one can hardly apply the term “blown”) several times to test their effectiveness. Even to an electrician it seems strange to think of several hundred horse-power being transmitted through a few wires about the size of a hair! The short-circuiting devices consisted of pieces of bare wire shaped like a V inverted, suspended directly over the line wires. These were placed at very frequent intervals along the line. In case of any danger or interruption, or in case the line must be handled, this wire is lowered by a string, and drops on the line wires, thereby short-cutting the line, which blows the fuse and opens the circuit. This is a very cheap and effective substitute for a switch, which would be dangerous to handle in a 30,000 volt circuit ; furthermore there is absolutely no possibility of a current being on the line when this device is down. [page 455]

Chapter 4

Derivations and Technical References

This chapter is where you will find mathematical derivations too detailed to include in the tutorial, and/or tables and other technical reference material.

4.1 Small-gauge wire ampacities

The *ampacity* of a wire is its rated maximum current – literally the number of Amperes it may continually sustain without overheating. A wire’s ampacity is fundamentally a function of three factors: (1) the rate of heat dissipated by the electric current passing through that wire based on wire resistance (by Joule’s Law $P = I^2R$), (2) the wire’s ability to shed heat to the surrounding environment, and (3) the high-temperature limit of the wire’s insulation. Heat dissipation, of course, is directly related to the amount of current and the wire’s resistance which is a function of gauge (cross-sectional area) and the type of metal (e.g. copper versus aluminum). Heat shedding is related to the outer surface area of the insulated conductor as well as the material(s) it contacts. For this reason, wires buried in earth or suspended alone in open air have greater ampacity ratings than wires bundled together in an enclosed raceway (e.g. conduit, wire duct). This means wire ampacity varies with the manner in which it is installed as well as its structure and composition.

Electrical safety standards documents contain conservatively-rated ampacity values for various wire sizes, insulation types, and arrangements. In the United States, the National Fire Protection Association (NFPA) is well-respected for its electrical safety standards, including NFPA 70 (*National Electrical Code*, or *NEC*) and NFPA 79 (*Electrical Standard for Industrial Machinery*). Article 310 of the National Electrical Code (“Conductors for General Wiring”) specifies wire ampacities for residential, commercial, and industrial power distribution systems. Chapter 12 within the NFPA 79 standard (“Conductors, Cables, and Flexible Cords”) specifies wire ampacities for electrical wiring within industrial machinery.

Conductors used for small electrical and electronic projects are typically much smaller (i.e. higher *American Wire Gauge* number) than those specified in Article 310 of the National Electrical Code because the NEC focuses on *facility* power wiring. NFPA 79, with its focus on the internal wiring of machinery, specifies characteristics of wires over a wider range than the NEC. The following table summarizes some of the NFPA 79 specifications for smaller-gauge single copper conductors, assuming single conductors in free air attaining a temperature of no more than 60 °C:

AWG size	Cross-sectional area	Resistance per 1000 ft	Ampacity
30 gauge	0.051 mm ²	-----	0.5 Amperes
28 gauge	0.081 mm ²	-----	0.8 Amperes
26 gauge	0.129 mm ²	-----	1 Ampere
24 gauge	0.205 mm ²	-----	2 Amperes
22 gauge	0.324 mm ²	17.2 Ω @ 25 °C	3 Amperes
20 gauge	0.519 mm ²	10.7 Ω @ 25 °C	5 Amperes
18 gauge	0.823 mm ²	6.77 Ω @ 25 °C	7 Amperes
16 gauge	1.31 mm ²	4.26 Ω @ 25 °C	10 Amperes
14 gauge	2.08 mm ²	2.68 Ω @ 25 °C	15 Amperes
12 gauge	3.31 mm ²	1.68 Ω @ 25 °C	20 Amperes
10 gauge	5.261 mm ²	1.060 Ω @ 25 °C	30 Amperes

Chapter 5

Questions

This learning module, along with all others in the ModEL collection, is designed to be used in an inverted instructional environment where students independently read¹ the tutorials and attempt to answer questions on their own *prior* to the instructor's interaction with them. In place of lecture², the instructor engages with students in Socratic-style dialogue, probing and challenging their understanding of the subject matter through inquiry.

Answers are not provided for questions within this chapter, and this is by design. Solved problems may be found in the Tutorial and Derivation chapters, instead. The goal here is *independence*, and this requires students to be challenged in ways where others cannot think for them. Remember that you always have the tools of *experimentation* and *computer simulation* (e.g. SPICE) to explore concepts!

The following lists contain ideas for Socratic-style questions and challenges. Upon inspection, one will notice a strong theme of *metacognition* within these statements: they are designed to foster a regular habit of examining one's own thoughts as a means toward clearer thinking. As such these sample questions are useful both for instructor-led discussions as well as for self-study.

¹Technical reading is an essential academic skill for any technical practitioner to possess for the simple reason that the most comprehensive, accurate, and useful information to be found for developing technical competence is in textual form. Technical careers in general are characterized by the need for continuous learning to remain current with standards and technology, and therefore any technical practitioner who cannot read well is handicapped in their professional development. An excellent resource for educators on improving students' reading prowess through intentional effort and strategy is the book *Reading For Understanding – How Reading Apprenticeship Improves Disciplinary Learning in Secondary and College Classrooms* by Ruth Schoenbach, Cynthia Greenleaf, and Lynn Murphy.

²Lecture is popular as a teaching method because it is easy to implement: any reasonably articulate subject matter expert can talk to students, even with little preparation. However, it is also quite problematic. A good lecture always makes complicated concepts seem easier than they are, which is bad for students because it instills a false sense of confidence in their own understanding; reading and re-articulation requires more cognitive effort and serves to verify comprehension. A culture of teaching-by-lecture fosters a debilitating dependence upon direct personal instruction, whereas the challenges of modern life demand independent and critical thought made possible only by gathering information and perspectives from afar. Information presented in a lecture is ephemeral, easily lost to failures of memory and dictation; text is forever, and may be referenced at any time.

GENERAL CHALLENGES FOLLOWING TUTORIAL READING

- Summarize as much of the text as you can in one paragraph of your own words. A helpful strategy is to explain ideas as you would for an intelligent child: as simple as you can without compromising too much accuracy.
- Simplify a particular section of the text, for example a paragraph or even a single sentence, so as to capture the same fundamental idea in fewer words.
- Where did the text make the most sense to you? What was it about the text's presentation that made it clear?
- Identify where it might be easy for someone to misunderstand the text, and explain why you think it could be confusing.
- Identify any new concept(s) presented in the text, and explain in your own words.
- Identify any familiar concept(s) such as physical laws or principles applied or referenced in the text.
- Devise a proof of concept experiment demonstrating an important principle, physical law, or technical innovation represented in the text.
- Devise an experiment to disprove a plausible misconception.
- Did the text reveal any misconceptions you might have harbored? If so, describe the misconception(s) and the reason(s) why you now know them to be incorrect.
- Describe any useful problem-solving strategies applied in the text.
- Devise a question of your own to challenge a reader's comprehension of the text.

GENERAL FOLLOW-UP CHALLENGES FOR ASSIGNED PROBLEMS

- Identify where any fundamental laws or principles apply to the solution of this problem, especially before applying any mathematical techniques.
- Devise a thought experiment to explore the characteristics of the problem scenario, applying known laws and principles to mentally model its behavior.
- Describe in detail your own strategy for solving this problem. How did you identify and organized the given information? Did you sketch any diagrams to help frame the problem?
- Is there more than one way to solve this problem? Which method seems best to you?
- Show the work you did in solving this problem, even if the solution is incomplete or incorrect.
- What would you say was the most challenging part of this problem, and why was it so?
- Was any important information missing from the problem which you had to research or recall?
- Was there any extraneous information presented within this problem? If so, what was it and why did it not matter?
- Examine someone else's solution to identify where they applied fundamental laws or principles.
- Simplify the problem from its given form and show how to solve this simpler version of it. Examples include eliminating certain variables or conditions, altering values to simpler (usually whole) numbers, applying a limiting case (i.e. altering a variable to some extreme or ultimate value).
- For quantitative problems, identify the real-world meaning of all intermediate calculations: their units of measurement, where they fit into the scenario at hand. Annotate any diagrams or illustrations with these calculated values.
- For quantitative problems, try approaching it qualitatively instead, thinking in terms of “increase” and “decrease” rather than definite values.
- For qualitative problems, try approaching it quantitatively instead, proposing simple numerical values for the variables.
- Were there any assumptions you made while solving this problem? Would your solution change if one of those assumptions were altered?
- Identify where it would be easy for someone to go astray in attempting to solve this problem.
- Formulate your own problem based on what you learned solving this one.

GENERAL FOLLOW-UP CHALLENGES FOR EXPERIMENTS OR PROJECTS

- In what way(s) was this experiment or project easy to complete?
- Identify some of the challenges you faced in completing this experiment or project.

- Show how thorough documentation assisted in the completion of this experiment or project.
- Which fundamental laws or principles are key to this system's function?
- Identify any way(s) in which one might obtain false or otherwise misleading measurements from test equipment in this system.
- What will happen if (component X) fails (open/shorted/etc.)?
- What would have to occur to make this system unsafe?

5.1 Conceptual reasoning

These questions are designed to stimulate your analytic and synthetic thinking³. In a Socratic discussion with your instructor, the goal is for these questions to prompt an extended dialogue where assumptions are revealed, conclusions are tested, and understanding is sharpened. Your instructor may also pose additional questions based on those assigned, in order to further probe and refine your conceptual understanding.

Questions that follow are presented to challenge and probe your understanding of various concepts presented in the tutorial. These questions are intended to serve as a guide for the Socratic dialogue between yourself and the instructor. Your instructor’s task is to ensure you have a sound grasp of these concepts, and the questions contained in this document are merely a means to this end. Your instructor may, at his or her discretion, alter or substitute questions for the benefit of tailoring the discussion to each student’s needs. The only absolute requirement is that each student is challenged and assessed at a level equal to or greater than that represented by the documented questions.

It is far more important that you convey your *reasoning* than it is to simply convey a correct answer. For this reason, you should refrain from researching other information sources to answer questions. What matters here is that *you* are doing the thinking. If the answer is incorrect, your instructor will work with you to correct it through proper reasoning. A correct answer without an adequate explanation of how you derived that answer is unacceptable, as it does not aid the learning or assessment process.

You will note a conspicuous lack of answers given for these conceptual questions. Unlike standard textbooks where answers to every other question are given somewhere toward the back of the book, here in these learning modules students must rely on other means to check their work. The best way by far is to debate the answers with fellow students and also with the instructor during the Socratic dialogue sessions intended to be used with these learning modules. Reasoning through challenging questions with other people is an excellent tool for developing strong reasoning skills.

Another means of checking your conceptual answers, where applicable, is to use circuit simulation software to explore the effects of changes made to circuits. For example, if one of these conceptual questions challenges you to predict the effects of altering some component parameter in a circuit, you may check the validity of your work by simulating that same parameter change within software and seeing if the results agree.

³*Analytical* thinking involves the “disassembly” of an idea into its constituent parts, analogous to dissection. *Synthetic* thinking involves the “assembly” of a new idea comprised of multiple concepts, analogous to construction. Both activities are high-level cognitive skills, extremely important for effective problem-solving, necessitating frequent challenge and regular practice to fully develop.

5.1.1 Reading outline and reflections

“Reading maketh a full man; conference a ready man; and writing an exact man” – Francis Bacon

Francis Bacon’s advice is a blueprint for effective education: reading provides the learner with knowledge, writing focuses the learner’s thoughts, and critical dialogue equips the learner to confidently communicate and apply their learning. Independent acquisition and application of knowledge is a powerful skill, well worth the effort to cultivate. To this end, students should read these educational resources closely, journal their own reflections on the reading, and discuss in detail their findings with classmates and instructor(s). You should be able to do all of the following after reading any instructional text:

☑ Briefly **SUMMARIZE THE TEXT** in the form of a journal entry documenting your learning as you progress through the course of study. Share this summary in dialogue with your classmates and instructor. Journaling is an excellent self-test of thorough reading because you cannot clearly express what you have not read or did not comprehend.

☑ Demonstrate **ACTIVE READING STRATEGIES**, including verbalizing your impressions as you read, simplifying long passages to convey the same ideas using fewer words, annotating text and illustrations with your own interpretations, working through mathematical examples shown in the text, cross-referencing passages with relevant illustrations and/or other passages, identifying problem-solving strategies applied by the author, etc. Technical reading is a special case of problem-solving, and so these strategies work precisely because they help solve any problem: paying attention to your own thoughts (metacognition), eliminating unnecessary complexities, identifying what makes sense, paying close attention to details, drawing connections between separated facts, and noting the successful strategies of others.

☑ Identify **IMPORTANT THEMES**, especially **GENERAL LAWS** and **PRINCIPLES**, expounded in the text and express them in the simplest of terms as though you were teaching an intelligent child. This emphasizes connections between related topics and develops your ability to communicate complex ideas to anyone.

☑ Form **YOUR OWN QUESTIONS** based on the reading, and then pose them to your instructor and classmates for their consideration. Anticipate both correct and incorrect answers, the incorrect answer(s) assuming one or more plausible misconceptions. This helps you view the subject from different perspectives to grasp it more fully.

☑ Devise **EXPERIMENTS** to test claims presented in the reading, or to disprove misconceptions. Predict possible outcomes of these experiments, and evaluate their meanings: what result(s) would confirm, and what would constitute disproof? Running mental simulations and evaluating results is essential to scientific and diagnostic reasoning.

☑ Specifically identify any points you found **CONFUSING**. The reason for doing this is to help diagnose misconceptions and overcome barriers to learning.

5.1.2 Foundational concepts

Correct analysis and diagnosis of electric circuits begins with a proper understanding of some basic concepts. The following is a list of some important concepts referenced in this module's full tutorial. Define each of them in your own words, and be prepared to illustrate each of these concepts with a description of a practical example and/or a live demonstration.

Energy

Conservation of Energy

Voltage

Current

Resistance

Volt (unit of measurement)

Ampere (unit of measurement)

Ohm (unit of measurement)

Electrical source

Electrical load

Ohm's Law

Joule's Law

Algebraic substitution

Ampacity

Open

Short

Switch

Fuse

Circuit breaker

Fault current

Arc

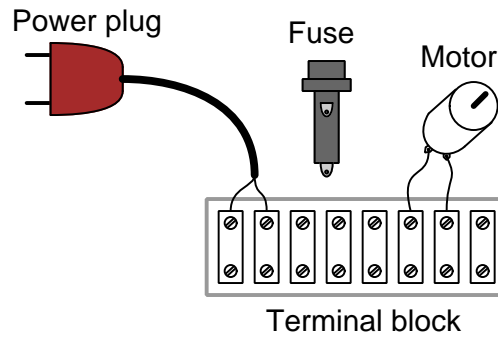
Ion

Electromagnetism

Overcurrent protection coordination

5.1.3 Wiring a fuse into a circuit

Show the proper placement of the fuse in this circuit, where an electric motor will be powered by utility (120 Volt AC) power:

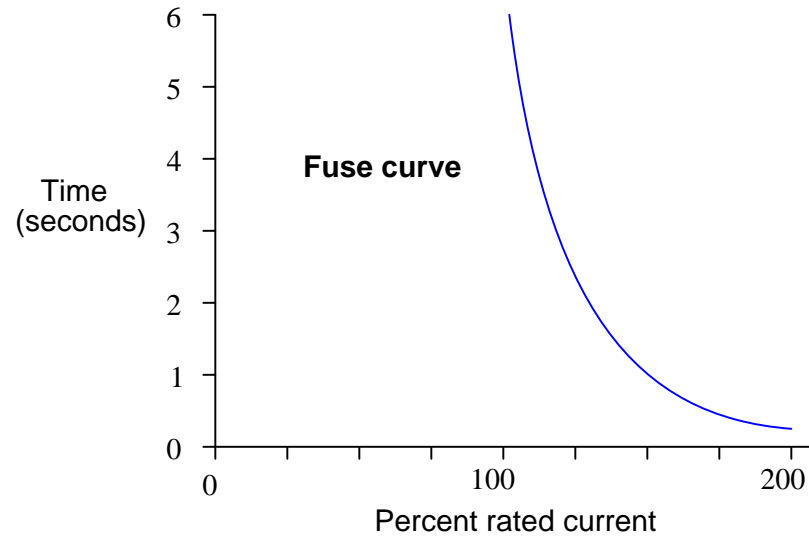


Challenges

- What condition(s) might cause this fuse to blow even with no short-circuit present?

5.1.4 Interpreting a fuse curve

Explain the meaning of this *fuse curve*:



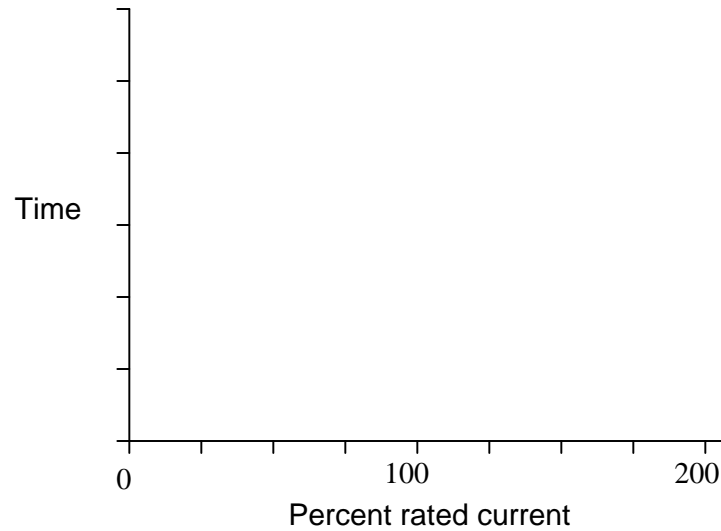
Challenges

- Would the fuse curve for a 5-Ampere fuse look any different from that of a 1-Ampere fuse?
- Would the fuse curve for a fast-acting fuse look any different from that of a slow-blow fuse?

5.1.5 Magnetic circuit breaker trip curve

Magnetic circuit breakers trip by the action of an electromagnet coil, through which all the load current passes. When the attractive force of the magnetic field is strong enough, a mechanism triggers to snap the breaker contacts open, thus interrupting the circuit current.

Sketch a realistic time-current curve for such a circuit breaker:

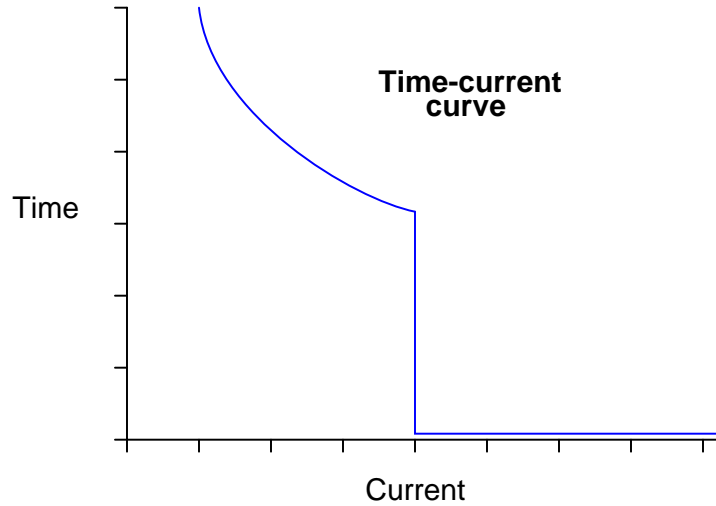


Challenges

- When might a magnetic-trip breaker make more sense as a protective device than a thermal-trip circuit breaker.

5.1.6 Dual-element protection curve

Shown here is the time-current curve for a *dual-element* fuse. *Thermal-magnetic* circuit breakers exhibit similar time-current curves:



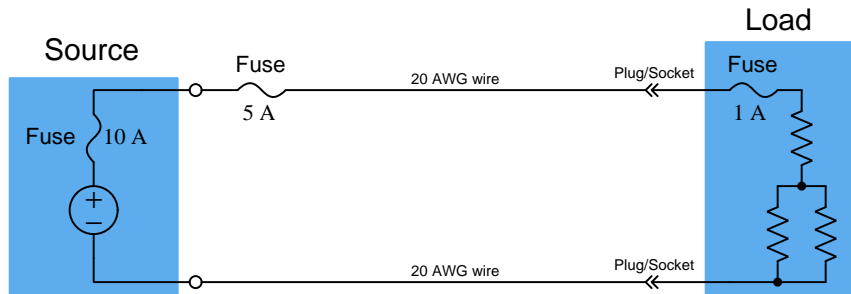
Based on this curve, what do you think the purpose of a “dual-element” fuse or “thermal-magnetic” circuit breaker is? Why would this style of overcurrent protection device be chosen over a “normal” fuse or circuit breaker?

Challenges

- Where along the horizontal axis would the “100% rated current” mark be placed?

5.1.7 Applying foundational concepts to a fused circuit

Identify which foundational concept(s) apply to each of the declarations shown below regarding the following circuit. If a declaration is true, then identify it as such and note which concept supports that declaration; if a declaration is false, then identify it as such and note which concept is violated by that declaration:



- Connecting an ammeter across the 5 Ampere fuse and then pulling that fuse out of its socket will result in the meter sensing source current
- The 5-Ampere fuse will never blow because the 1-Ampere fuse will always blow first and protect the larger fuse(s)
- If the 5-Ampere fuse were relocated to be at the lower source terminal rather than the upper source terminal, it would not offer the same protection it does now
- Voltage between the two source terminals will be equal to voltage between the plug/socket terminals at the load
- Fuses limit voltage as well as current, since voltage is the flow of energy in a circuit

Here is a list of foundational concepts for your reference: **Conservation of Energy**, **Conservation of Electric Charge**, **behavior of sources vs. loads**, **Ohm's Law**, **Joule's Law**, **effects of open faults**, **effect of shorted faults**, **properties of series networks**, **properties of parallel networks**, **fuse coordination**, **proper voltmeter usage**, **proper ammeter usage**. More than one of these concepts may apply to a declaration, and some concepts may not apply to any listed declaration at all. Also, feel free to include foundational concepts not listed here.

Challenges

- Research the ampacity of a 20 AWG copper wire.

5.2 Quantitative reasoning

These questions are designed to stimulate your computational thinking. In a Socratic discussion with your instructor, the goal is for these questions to reveal your mathematical approach(es) to problem-solving so that good technique and sound reasoning may be reinforced. Your instructor may also pose additional questions based on those assigned, in order to observe your problem-solving firsthand.

Mental arithmetic and estimations are strongly encouraged for all calculations, because without these abilities you will be unable to readily detect errors caused by calculator misuse (e.g. keystroke errors).

You will note a conspicuous lack of answers given for these quantitative questions. Unlike standard textbooks where answers to every other question are given somewhere toward the back of the book, here in these learning modules students must rely on other means to check their work. My advice is to use circuit simulation software such as SPICE to check the correctness of quantitative answers. Refer to those learning modules within this collection focusing on SPICE to see worked examples which you may use directly as practice problems for your own study, and/or as templates you may modify to run your own analyses and generate your own practice problems.

Completely worked example problems found in the Tutorial may also serve as “test cases⁴” for gaining proficiency in the use of circuit simulation software, and then once that proficiency is gained you will never need to rely⁵ on an answer key!

⁴In other words, set up the circuit simulation software to analyze the same circuit examples found in the Tutorial. If the simulated results match the answers shown in the Tutorial, it confirms the simulation has properly run. If the simulated results disagree with the Tutorial’s answers, something has been set up incorrectly in the simulation software. Using every Tutorial as practice in this way will quickly develop proficiency in the use of circuit simulation software.

⁵This approach is perfectly in keeping with the instructional philosophy of these learning modules: *teaching students to be self-sufficient thinkers*. Answer keys can be useful, but it is even more useful to your long-term success to have a set of tools on hand for checking your own work, because once you have left school and are on your own, there will no longer be “answer keys” available for the problems you will have to solve.

5.2.1 Miscellaneous physical constants

Note: constants shown in **bold** type are *exact*, not approximations. Values inside of parentheses show one standard deviation (σ) of uncertainty in the final digits: for example, the magnetic permeability of free space value given as $1.25663706212(19) \times 10^{-6}$ H/m represents a center value (i.e. the location parameter) of $1.25663706212 \times 10^{-6}$ Henrys per meter with one standard deviation of uncertainty equal to $0.0000000000019 \times 10^{-6}$ Henrys per meter.

Avogadro's number (N_A) = **6.02214076** $\times 10^{23}$ **per mole** (mol⁻¹)

Boltzmann's constant (k) = **1.380649** $\times 10^{-23}$ **Joules per Kelvin** (J/K)

Electronic charge (e) = **1.602176634** $\times 10^{-19}$ **Coulomb** (C)

Faraday constant (F) = **96,485.33212...** $\times 10^4$ **Coulombs per mole** (C/mol)

Magnetic permeability of free space (μ_0) = **1.25663706212(19)** $\times 10^{-6}$ Henrys per meter (H/m)

Electric permittivity of free space (ϵ_0) = **8.8541878128(13)** $\times 10^{-12}$ Farads per meter (F/m)

Characteristic impedance of free space (Z_0) = **376.730313668(57)** Ohms (Ω)

Gravitational constant (G) = **6.67430(15)** $\times 10^{-11}$ cubic meters per kilogram-seconds squared (m³/kg-s²)

Molar gas constant (R) = **8.314462618...** **Joules per mole-Kelvin** (J/mol-K) = 0.08205746(14) liters-atmospheres per mole-Kelvin

Planck constant (h) = **6.62607015** $\times 10^{-34}$ **joule-seconds** (J-s)

Stefan-Boltzmann constant (σ) = **5.670374419...** $\times 10^{-8}$ **Watts per square meter-Kelvin⁴** (W/m²·K⁴)

Speed of light in a vacuum (c) = **299,792,458 meters per second** (m/s) = 186282.4 miles per second (mi/s)

Note: All constants taken from NIST data "Fundamental Physical Constants – Complete Listing", from <http://physics.nist.gov/constants>, National Institute of Standards and Technology (NIST), 2018 CODATA Adjustment.

5.2.2 Introduction to spreadsheets

A powerful computational tool you are encouraged to use in your work is a *spreadsheet*. Available on most personal computers (e.g. Microsoft Excel), *spreadsheet* software performs numerical calculations based on number values and formulae entered into cells of a grid. This grid is typically arranged as lettered columns and numbered rows, with each cell of the grid identified by its column/row coordinates (e.g. cell B3, cell A8). Each cell may contain a string of text, a number value, or a mathematical formula. The spreadsheet automatically updates the results of all mathematical formulae whenever the entered number values are changed. This means it is possible to set up a spreadsheet to perform a series of calculations on entered data, and those calculations will be re-done by the computer any time the data points are edited in any way.

For example, the following spreadsheet calculates average speed based on entered values of distance traveled and time elapsed:

	A	B	C	D
1	Distance traveled	46.9	Kilometers	
2	Time elapsed	1.18	Hours	
3	Average speed	= B1 / B2	km/h	
4				
5				

Text labels contained in cells A1 through A3 and cells C1 through C3 exist solely for readability and are not involved in any calculations. Cell B1 contains a sample distance value while cell B2 contains a sample time value. The formula for computing speed is contained in cell B3. Note how this formula begins with an “equals” symbol (=), references the values for distance and speed by lettered column and numbered row coordinates (B1 and B2), and uses a forward slash symbol for division (/). The coordinates B1 and B2 function as *variables*⁶ would in an algebraic formula.

When this spreadsheet is executed, the numerical value 39.74576 will appear in cell B3 rather than the formula = B1 / B2, because 39.74576 is the computed speed value given 46.9 kilometers traveled over a period of 1.18 hours. If a different numerical value for distance is entered into cell B1 or a different value for time is entered into cell B2, cell B3’s value will automatically update. All you need to do is set up the given values and any formulae into the spreadsheet, and the computer will do all the calculations for you.

Cell B3 may be referenced by other formulae in the spreadsheet if desired, since it is a variable just like the given values contained in B1 and B2. This means it is possible to set up an entire chain of calculations, one dependent on the result of another, in order to arrive at a final value. The arrangement of the given data and formulae need not follow any pattern on the grid, which means you may place them anywhere.

⁶Spreadsheets may also provide means to attach text labels to cells for use as variable names (Microsoft Excel simply calls these labels “names”), but for simple spreadsheets such as those shown here it’s usually easier just to use the standard coordinate naming for each cell.

Common⁷ arithmetic operations available for your use in a spreadsheet include the following:

- Addition (+)
- Subtraction (-)
- Multiplication (*)
- Division (/)
- Powers (^)
- Square roots (sqrt())
- Logarithms (ln() , log10())

Parentheses may be used to ensure⁸ proper order of operations within a complex formula. Consider this example of a spreadsheet implementing the *quadratic formula*, used to solve for roots of a polynomial expression in the form of $ax^2 + bx + c$:

$$x = \frac{-b \pm \sqrt{b^2 - 4ac}}{2a}$$

	A	B
1	x_1	= (-B4 + sqrt((B4^2) - (4*B3*B5))) / (2*B3)
2	x_2	= (-B4 - sqrt((B4^2) - (4*B3*B5))) / (2*B3)
3	a =	9
4	b =	5
5	c =	-2

This example is configured to compute roots⁹ of the polynomial $9x^2 + 5x - 2$ because the values of 9, 5, and -2 have been inserted into cells B3, B4, and B5, respectively. Once this spreadsheet has been built, though, it may be used to calculate the roots of *any* second-degree polynomial expression simply by entering the new a , b , and c coefficients into cells B3 through B5. The numerical values appearing in cells B1 and B2 will be automatically updated by the computer immediately following any changes made to the coefficients.

⁷Modern spreadsheet software offers a bewildering array of mathematical functions you may use in your computations. I recommend you consult the documentation for your particular spreadsheet for information on operations other than those listed here.

⁸Spreadsheet programs, like text-based programming languages, are designed to follow standard order of operations by default. However, my personal preference is to use parentheses even where strictly unnecessary just to make it clear to any other person viewing the formula what the intended order of operations is.

⁹Reviewing some algebra here, a *root* is a value for x that yields an overall value of zero for the polynomial. For this polynomial ($9x^2 + 5x - 2$) the two roots happen to be $x = 0.269381$ and $x = -0.82494$, with these values displayed in cells B1 and B2, respectively upon execution of the spreadsheet.

Alternatively, one could break up the long quadratic formula into smaller pieces like this:

$$y = \sqrt{b^2 - 4ac} \quad z = 2a$$

$$x = \frac{-b \pm y}{z}$$

	A	B	C
1	x_1	= (-B4 + C1) / C2	= sqrt((B4^2) - (4*B3*B5))
2	x_2	= (-B4 - C1) / C2	= 2*B3
3	a =	9	
4	b =	5	
5	c =	-2	

Note how the square-root term (y) is calculated in cell C1, and the denominator term (z) in cell C2. This makes the two final formulae (in cells B1 and B2) simpler to interpret. The positioning of all these cells on the grid is completely arbitrary¹⁰ – all that matters is that they properly reference each other in the formulae.

Spreadsheets are particularly useful for situations where the same set of calculations representing a circuit or other system must be repeated for different initial conditions. The power of a spreadsheet is that it automates what would otherwise be a tedious set of calculations. One specific application of this is to simulate the effects of various components within a circuit failing with abnormal values (e.g. a shorted resistor simulated by making its value nearly zero; an open resistor simulated by making its value extremely large). Another application is analyzing the behavior of a circuit design given new components that are out of specification, and/or aging components experiencing drift over time.

¹⁰My personal preference is to locate all the “given” data in the upper-left cells of the spreadsheet grid (each data point flanked by a sensible name in the cell to the left and units of measurement in the cell to the right as illustrated in the first distance/time spreadsheet example), sometimes coloring them in order to clearly distinguish which cells contain entered data versus which cells contain computed results from formulae. I like to place all formulae in cells below the given data, and try to arrange them in logical order so that anyone examining my spreadsheet will be able to figure out *how* I constructed a solution. This is a general principle I believe all computer programmers should follow: *document and arrange your code to make it easy for other people to learn from it.*

5.2.3 Interruption rating

In addition to possessing a primary current rating, fuses and circuit breakers also possess an *interruption* current rating, usually far in excess of their primary ratings. For example, a typical 15 Ampere circuit breaker for 120 Volt residential use may have an interruption rating of *10,000 Amperes* (10 kA)! Under what conditions could such a circuit ever bear so much current, and why is this rating different than the breaker's primary current rating of 15 Amperes?

Challenges

- What factor(s) might influence a fuse's or circuit breaker's interruption rating?

5.3 Diagnostic reasoning

These questions are designed to stimulate your deductive and inductive thinking, where you must apply general principles to specific scenarios (deductive) and also derive conclusions about the failed circuit from specific details (inductive). In a Socratic discussion with your instructor, the goal is for these questions to reinforce your recall and use of general circuit principles and also challenge your ability to integrate multiple symptoms into a sensible explanation of what's wrong in a circuit. Your instructor may also pose additional questions based on those assigned, in order to further challenge and sharpen your diagnostic abilities.

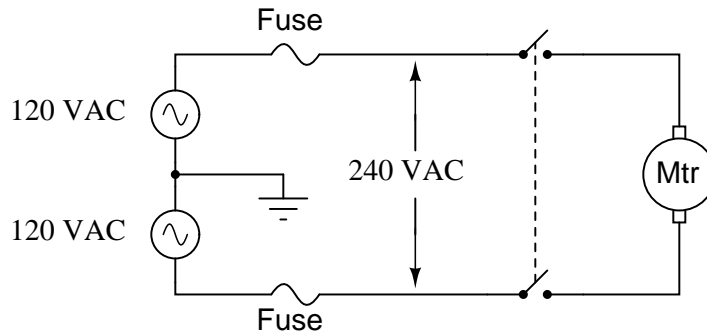
As always, your goal is to fully *explain* your analysis of each problem. Simply obtaining a correct answer is not good enough – you must also demonstrate sound reasoning in order to successfully complete the assignment. Your instructor's responsibility is to probe and challenge your understanding of the relevant principles and analytical processes in order to ensure you have a strong foundation upon which to build further understanding.

You will note a conspicuous lack of answers given for these diagnostic questions. Unlike standard textbooks where answers to every other question are given somewhere toward the back of the book, here in these learning modules students must rely on other means to check their work. The best way by far is to debate the answers with fellow students and also with the instructor during the Socratic dialogue sessions intended to be used with these learning modules. Reasoning through challenging questions with other people is an excellent tool for developing strong reasoning skills.

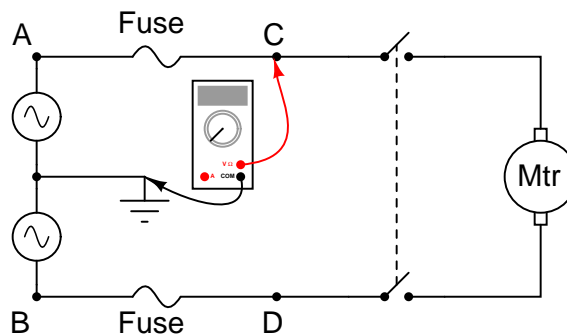
Another means of checking your diagnostic answers, where applicable, is to use circuit simulation software to explore the effects of faults placed in circuits. For example, if one of these diagnostic questions requires that you predict the effect of an open or a short in a circuit, you may check the validity of your work by simulating that same fault (substituting a very high resistance in place of that component for an open, and substituting a very low resistance for a short) within software and seeing if the results agree.

5.3.1 Failed motor circuit

A large industrial electric motor is supplied power through a pair of fuses:



One day the motor suddenly stops running, even though the switch is still in the “on” position. An electrician is summoned to troubleshoot the failed motor, and this person decides to perform some voltage measurements to determine whether or not one of the fuses has “blown” open before doing anything else. The measurements taken by the electrician are as such (with the switch in the “on” position):



- Between A and ground = 120 Volts AC
- Between B and ground = 120 Volts AC
- Between C and ground = 120 Volts AC
- Between D and ground = 120 Volts AC

Based on these measurements, the electrician decides that both fuses are still in good condition, and that the problem lies elsewhere in the circuit. Explain why this is an insufficient test of the fuses' conditions.

Challenges

- What voltage measurement(s) would conclusively test the condition of both fuses?

Appendix A

Problem-Solving Strategies

The ability to solve complex problems is arguably one of the most valuable skills one can possess, and this skill is particularly important in any science-based discipline.

- Study principles, not procedures. Don't be satisfied with merely knowing how to compute solutions – learn *why* those solutions work.
- Identify what it is you need to solve, identify all relevant data, identify all units of measurement, identify any general principles or formulae linking the given information to the solution, and then identify any “missing pieces” to a solution. Annotate all diagrams with this data.
- Sketch a diagram to help visualize the problem. When building a real system, always devise a plan for that system and analyze its function *before* constructing it.
- Follow the units of measurement and meaning of every calculation. If you are ever performing mathematical calculations as part of a problem-solving procedure, and you find yourself unable to apply each and every intermediate result to some aspect of the problem, it means you don't understand what you are doing. Properly done, every mathematical result should have practical meaning for the problem, and not just be an abstract number. You should be able to identify the proper units of measurement for each and every calculated result, and show where that result fits into the problem.
- Perform “thought experiments” to explore the effects of different conditions for theoretical problems. When troubleshooting real systems, perform *diagnostic tests* rather than visually inspecting for faults, the best diagnostic test being the one giving you the most information about the nature and/or location of the fault with the fewest steps.
- Simplify the problem until the solution becomes obvious, and then use that obvious case as a model to follow in solving the more complex version of the problem.
- Check for exceptions to see if your solution is incorrect or incomplete. A good solution will work for *all* known conditions and criteria. A good example of this is the process of testing scientific hypotheses: the task of a scientist is not to find support for a new idea, but rather to *challenge* that new idea to see if it holds up under a battery of tests. The philosophical

principle of *reductio ad absurdum* (i.e. disproving a general idea by finding a specific case where it fails) is useful here.

- Work “backward” from a hypothetical solution to a new set of given conditions.
- Add quantities to problems that are qualitative in nature, because sometimes a little math helps illuminate the scenario.
- Sketch graphs illustrating how variables relate to each other. These may be quantitative (i.e. with realistic number values) or qualitative (i.e. simply showing increases and decreases).
- Treat quantitative problems as qualitative in order to discern the relative magnitudes and/or directions of change of the relevant variables. For example, try determining what happens if a certain variable were to increase or decrease before attempting to precisely calculate quantities: how will each of the dependent variables respond, by increasing, decreasing, or remaining the same as before?
- Consider limiting cases. This works especially well for qualitative problems where you need to determine which direction a variable will change. Take the given condition and magnify that condition to an extreme degree as a way of simplifying the direction of the system’s response.
- Check your work. This means regularly testing your conclusions to see if they make sense. This does *not* mean repeating the same steps originally used to obtain the conclusion(s), but rather to use some other means to check validity. Simply repeating procedures often leads to *repeating the same errors* if any were made, which is why alternative paths are better.

Appendix B

Instructional philosophy

“The unexamined circuit is not worth energizing” – Socrates (if he had taught electricity)

These learning modules, although useful for self-study, were designed to be used in a formal learning environment where a subject-matter expert challenges students to digest the content and exercise their critical thinking abilities in the answering of questions and in the construction and testing of working circuits.

The following principles inform the instructional and assessment philosophies embodied in these learning modules:

- The first goal of education is to enhance clear and independent thought, in order that every student reach their fullest potential in a highly complex and inter-dependent world. Robust reasoning is *always* more important than particulars of any subject matter, because its application is universal.
- Literacy is fundamental to independent learning and thought because text continues to be the most efficient way to communicate complex ideas over space and time. Those who cannot read with ease are limited in their ability to acquire knowledge and perspective.
- Articulate communication is fundamental to work that is complex and interdisciplinary.
- Faulty assumptions and poor reasoning are best corrected through challenge, not presentation. The rhetorical technique of *reductio ad absurdum* (disproving an assertion by exposing an absurdity) works well to discipline student’s minds, not only to correct the problem at hand but also to learn how to detect and correct future errors.
- Important principles should be repeatedly explored and widely applied throughout a course of study, not only to reinforce their importance and help ensure their mastery, but also to showcase the interconnectedness and utility of knowledge.

These learning modules were expressly designed to be used in an “inverted” teaching environment¹ where students first read the introductory and tutorial chapters on their own, then individually attempt to answer the questions and construct working circuits according to the experiment and project guidelines. The instructor never lectures, but instead meets regularly with each individual student to review their progress, answer questions, identify misconceptions, and challenge the student to new depths of understanding through further questioning. Regular meetings between instructor and student should resemble a Socratic² dialogue, where questions serve as scalpels to dissect topics and expose assumptions. The student passes each module only after consistently demonstrating their ability to logically analyze and correctly apply all major concepts in each question or project/experiment. The instructor must be vigilant in probing each student’s understanding to ensure they are truly *reasoning* and not just *memorizing*. This is why “Challenge” points appear throughout, as prompts for students to think deeper about topics and as starting points for instructor queries. Sometimes these challenge points require additional knowledge that hasn’t been covered in the series to answer in full. This is okay, as the major purpose of the Challenges is to stimulate analysis and synthesis on the part of each student.

The instructor must possess enough mastery of the subject matter and awareness of students’ reasoning to generate their own follow-up questions to practically any student response. Even completely correct answers given by the student should be challenged by the instructor for the purpose of having students practice articulating their thoughts and defending their reasoning. Conceptual errors committed by the student should be exposed and corrected not by direct instruction, but rather by reducing the errors to an absurdity³ through well-chosen questions and thought experiments posed by the instructor. Becoming proficient at this style of instruction requires time and dedication, but the positive effects on critical thinking for both student and instructor are spectacular.

An inspection of these learning modules reveals certain unique characteristics. One of these is a bias toward thorough explanations in the tutorial chapters. Without a live instructor to explain concepts and applications to students, the text itself must fulfill this role. This philosophy results in lengthier explanations than what you might typically find in a textbook, each step of the reasoning process fully explained, including footnotes addressing common questions and concerns students raise while learning these concepts. Each tutorial seeks to not only explain each major concept in sufficient detail, but also to explain the logic of each concept and how each may be developed

¹In a traditional teaching environment, students first encounter new information via *lecture* from an expert, and then independently apply that information via *homework*. In an “inverted” course of study, students first encounter new information via *homework*, and then independently apply that information under the scrutiny of an expert. The expert’s role in lecture is to simply *explain*, but the expert’s role in an inverted session is to *challenge, critique*, and if necessary *explain* where gaps in understanding still exist.

²Socrates is a figure in ancient Greek philosophy famous for his unflinching style of questioning. Although he authored no texts, he appears as a character in Plato’s many writings. The essence of Socratic philosophy is to leave no question unexamined and no point of view unchallenged. While purists may argue a topic such as electric circuits is too narrow for a true Socratic-style dialogue, I would argue that the essential thought processes involved with scientific reasoning on *any* topic are not far removed from the Socratic ideal, and that students of electricity and electronics would do very well to challenge assumptions, pose thought experiments, identify fallacies, and otherwise employ the arsenal of critical thinking skills modeled by Socrates.

³This rhetorical technique is known by the Latin phrase *reductio ad absurdum*. The concept is to expose errors by counter-example, since only one solid counter-example is necessary to disprove a universal claim. As an example of this, consider the common misconception among beginning students of electricity that voltage cannot exist without current. One way to apply *reductio ad absurdum* to this statement is to ask how much current passes through a fully-charged battery connected to nothing (i.e. a clear example of voltage existing without current).

from “first principles”. Again, this reflects the goal of developing clear and independent thought in students’ minds, by showing how clear and logical thought was used to forge each concept. Students benefit from witnessing a model of clear thinking in action, and these tutorials strive to be just that.

Another characteristic of these learning modules is a lack of step-by-step instructions in the Project and Experiment chapters. Unlike many modern workbooks and laboratory guides where step-by-step instructions are prescribed for each experiment, these modules take the approach that students must learn to closely read the tutorials and apply their own reasoning to identify the appropriate experimental steps. Sometimes these steps are plainly declared in the text, just not as a set of enumerated points. At other times certain steps are implied, an example being assumed competence in test equipment use where the student should not need to be told *again* how to use their multimeter because that was thoroughly explained in previous lessons. In some circumstances no steps are given at all, leaving the entire procedure up to the student.

This lack of prescription is not a flaw, but rather a feature. Close reading and clear thinking are foundational principles of this learning series, and in keeping with this philosophy all activities are designed to *require* those behaviors. Some students may find the lack of prescription frustrating, because it demands more from them than what their previous educational experiences required. This frustration should be interpreted as an unfamiliarity with autonomous thinking, a problem which must be corrected if the student is ever to become a self-directed learner and effective problem-solver. Ultimately, the need for students to read closely and think clearly is more important both in the near-term and far-term than any specific facet of the subject matter at hand. If a student takes longer than expected to complete a module because they are forced to outline, digest, and reason on their own, so be it. The future gains enjoyed by developing this mental discipline will be well worth the additional effort and delay.

Another feature of these learning modules is that they do not treat topics in isolation. Rather, important concepts are introduced early in the series, and appear repeatedly as stepping-stones toward other concepts in subsequent modules. This helps to avoid the “compartmentalization” of knowledge, demonstrating the inter-connectedness of concepts and simultaneously reinforcing them. Each module is fairly complete in itself, reserving the beginning of its tutorial to a review of foundational concepts.

This methodology of assigning text-based modules to students for digestion and then using Socratic dialogue to assess progress and hone students’ thinking was developed over a period of several years by the author with his Electronics and Instrumentation students at the two-year college level. While decidedly unconventional and sometimes even unsettling for students accustomed to a more passive lecture environment, this instructional philosophy has proven its ability to convey conceptual mastery, foster careful analysis, and enhance employability so much better than lecture that the author refuses to ever teach by lecture again.

Problems which often go undiagnosed in a lecture environment are laid bare in this “inverted” format where students must articulate and logically defend their reasoning. This, too, may be unsettling for students accustomed to lecture sessions where the instructor cannot tell for sure who comprehends and who does not, and this vulnerability necessitates sensitivity on the part of the “inverted” session instructor in order that students never feel discouraged by having their errors exposed. *Everyone* makes mistakes from time to time, and learning is a lifelong process! Part of the instructor’s job is to build a culture of learning among the students where errors are not seen as shameful, but rather as opportunities for progress.

To this end, instructors managing courses based on these modules should adhere to the following principles:

- Student questions are always welcome and demand thorough, honest answers. The only type of question an instructor should refuse to answer is one the student should be able to easily answer on their own. Remember, *the fundamental goal of education is for each student to learn to think clearly and independently*. This requires hard work on the part of the student, which no instructor should ever circumvent. Anything done to bypass the student's responsibility to do that hard work ultimately limits that student's potential and thereby does real harm.
- It is not only permissible, but encouraged, to answer a student's question by asking questions in return, these follow-up questions designed to guide the student to reach a correct answer through their own reasoning.
- All student answers demand to be challenged by the instructor and/or by other students. This includes both correct and incorrect answers – the goal is to practice the articulation and defense of one's own reasoning.
- No reading assignment is deemed complete unless and until the student demonstrates their ability to accurately summarize the major points in their own terms. Recitation of the original text is unacceptable. This is why every module contains an "Outline and reflections" question as well as a "Foundational concepts" question in the Conceptual reasoning section, to prompt reflective reading.
- No assigned question is deemed answered unless and until the student demonstrates their ability to consistently and correctly apply the concepts to *variations* of that question. This is why module questions typically contain multiple "Challenges" suggesting different applications of the concept(s) as well as variations on the same theme(s). Instructors are encouraged to devise as many of their own "Challenges" as they are able, in order to have a multitude of ways ready to probe students' understanding.
- No assigned experiment or project is deemed complete unless and until the student demonstrates the task in action. If this cannot be done "live" before the instructor, video-recordings showing the demonstration are acceptable. All relevant safety precautions must be followed, all test equipment must be used correctly, and the student must be able to properly explain all results. The student must also successfully answer all Challenges presented by the instructor for that experiment or project.

Students learning from these modules would do well to abide by the following principles:

- No text should be considered fully and adequately read unless and until you can express every idea *in your own words, using your own examples*.
- You should always articulate your thoughts as you read the text, noting points of agreement, confusion, and epiphanies. Feel free to print the text on paper and then write your notes in the margins. Alternatively, keep a journal for your own reflections as you read. This is truly a helpful tool when digesting complicated concepts.
- Never take the easy path of highlighting or underlining important text. Instead, *summarize* and/or *comment* on the text using your own words. This actively engages your mind, allowing you to more clearly perceive points of confusion or misunderstanding on your own.
- A very helpful strategy when learning new concepts is to place yourself in the role of a teacher, if only as a mental exercise. Either explain what you have recently learned to someone else, or at least *imagine* yourself explaining what you have learned to someone else. The simple act of having to articulate new knowledge and skill forces you to take on a different perspective, and will help reveal weaknesses in your understanding.
- Perform each and every mathematical calculation and thought experiment shown in the text on your own, referring back to the text to see that your results agree. This may seem trivial and unnecessary, but it is critically important to ensuring you actually understand what is presented, especially when the concepts at hand are complicated and easy to misunderstand. Apply this same strategy to become proficient in the use of *circuit simulation software*, checking to see if your simulated results agree with the results shown in the text.
- Above all, recognize that learning is hard work, and that a certain level of frustration is unavoidable. There are times when you will struggle to grasp some of these concepts, and that struggle is a natural thing. Take heart that it will yield with persistent and varied⁴ effort, and never give up!

Students interested in using these modules for self-study will also find them beneficial, although the onus of responsibility for thoroughly reading and answering questions will of course lie with that individual alone. If a qualified instructor is not available to challenge students, a workable alternative is for students to form study groups where they challenge⁵ one another.

To high standards of education,

Tony R. Kuphaldt

⁴As the old saying goes, “Insanity is trying the same thing over and over again, expecting different results.” If you find yourself stumped by something in the text, you should attempt a different approach. Alter the thought experiment, change the mathematical parameters, do whatever you can to see the problem in a slightly different light, and then the solution will often present itself more readily.

⁵Avoid the temptation to simply share answers with study partners, as this is really counter-productive to learning. Always bear in mind that the answer to any question is far less important in the long run than the method(s) used to obtain that answer. The goal of education is to empower one’s life through the improvement of clear and independent thought, literacy, expression, and various practical skills.

Appendix C

Tools used

I am indebted to the developers of many open-source software applications in the creation of these learning modules. The following is a list of these applications with some commentary on each.

You will notice a theme common to many of these applications: a bias toward *code*. Although I am by no means an expert programmer in any computer language, I understand and appreciate the flexibility offered by code-based applications where the user (you) enters commands into a plain ASCII text file, which the software then reads and processes to create the final output. Code-based computer applications are by their very nature *extensible*, while WYSIWYG (What You See Is What You Get) applications are generally limited to whatever user interface the developer makes for you.

The GNU/Linux computer operating system

There is so much to be said about Linus Torvalds' `Linux` and Richard Stallman's `GNU` project. First, to credit just these two individuals is to fail to do justice to the *mob* of passionate volunteers who contributed to make this amazing software a reality. I first learned of `Linux` back in 1996, and have been using this operating system on my personal computers almost exclusively since then. It is *free*, it is completely *configurable*, and it permits the continued use of highly efficient `Unix` applications and scripting languages (e.g. shell scripts, Makefiles, `sed`, `awk`) developed over many decades. `Linux` not only provided me with a powerful computing platform, but its open design served to inspire my life's work of creating open-source educational resources.

Bram Moolenaar's Vim text editor

Writing code for any code-based computer application requires a *text editor*, which may be thought of as a word processor strictly limited to outputting plain-ASCII text files. Many good text editors exist, and one's choice of text editor seems to be a deeply personal matter within the programming world. I prefer `Vim` because it operates very similarly to `vi` which is ubiquitous on `Unix/Linux` operating systems, and because it may be entirely operated via keyboard (i.e. no mouse required) which makes it fast to use.

Donald Knuth's \TeX typesetting system

Developed in the late 1970's and early 1980's by computer scientist extraordinaire Donald Knuth to typeset his multi-volume magnum opus *The Art of Computer Programming*, this software allows the production of formatted text for screen-viewing or paper printing, all by writing plain-text code to describe how the formatted text is supposed to appear. \TeX is not just a markup language for documents, but it is also a Turing-complete programming language in and of itself, allowing useful algorithms to be created to control the production of documents. Simply put, *\TeX is a programmer's approach to word processing*. Since \TeX is controlled by code written in a plain-text file, this means anyone may read that plain-text file to see exactly how the document was created. This openness afforded by the code-based nature of \TeX makes it relatively easy to learn how other people have created their own \TeX documents. By contrast, examining a beautiful document created in a conventional WYSIWYG word processor such as Microsoft **Word** suggests nothing to the reader about *how* that document was created, or what the user might do to create something similar. As Mr. Knuth himself once quipped, conventional word processing applications should be called WYSIAYG (What You See Is *All* You Get).

Leslie Lamport's \LaTeX extensions to \TeX

Like all true programming languages, \TeX is inherently extensible. So, years after the release of \TeX to the public, Leslie Lamport decided to create a massive extension allowing easier compilation of book-length documents. The result was \LaTeX , which is the markup language used to create all ModEL module documents. You could say that \TeX is to \LaTeX as **C** is to **C++**. This means it is permissible to use any and all \TeX commands within \LaTeX source code, and it all still works. Some of the features offered by \LaTeX that would be challenging to implement in \TeX include automatic index and table-of-content creation.

Tim Edwards' **Xcircuit** drafting program

This wonderful program is what I use to create all the schematic diagrams and illustrations (but not photographic images or mathematical plots) throughout the ModEL project. It natively outputs PostScript format which is a true vector graphic format (this is why the images do not pixellate when you zoom in for a closer view), and it is so simple to use that I have never had to read the manual! Object libraries are easy to create for **Xcircuit**, being plain-text files using PostScript programming conventions. Over the years I have collected a large set of object libraries useful for drawing electrical and electronic schematics, pictorial diagrams, and other technical illustrations.

Gimp graphic image manipulation program

Essentially an open-source clone of Adobe's `PhotoShop`, I use `Gimp` to resize, crop, and convert file formats for all of the photographic images appearing in the `MODEL` modules. Although `Gimp` does offer its own scripting language (called `Script-Fu`), I have never had occasion to use it. Thus, my utilization of `Gimp` to merely crop, resize, and convert graphic images is akin to using a sword to slice bread.

SPICE circuit simulation program

`SPICE` is to circuit analysis as `TEX` is to document creation: it is a form of markup language designed to describe a certain object to be processed in plain-ASCII text. When the plain-text "source file" is compiled by the software, it outputs the final result. More modern circuit analysis tools certainly exist, but I prefer `SPICE` for the following reasons: it is *free*, it is *fast*, it is *reliable*, and it is a fantastic tool for *teaching* students of electricity and electronics how to write simple code. I happen to use rather old versions of `SPICE`, version 2g6 being my "go to" application when I only require text-based output. `NGSPICE` (version 26), which is based on Berkeley `SPICE` version 3f5, is used when I require graphical output for such things as time-domain waveforms and Bode plots. In all `SPICE` example netlists I strive to use coding conventions compatible with all `SPICE` versions.

Andrew D. Hwang's ePiX mathematical visualization programming library

This amazing project is a `C++` library you may link to any `C/C++` code for the purpose of generating PostScript graphic images of mathematical functions. As a completely free and open-source project, it does all the plotting I would otherwise use a Computer Algebra System (CAS) such as `Mathematica` or `Maple` to do. It should be said that `ePiX` is *not* a Computer Algebra System like `Mathematica` or `Maple`, but merely a mathematical *visualization* tool. In other words, it won't determine integrals for you (you'll have to implement that in your own `C/C++` code!), but it can graph the results, and it does so beautifully. What I really admire about `ePiX` is that it is a `C++` programming library, which means it builds on the existing power and toolset available with that programming language. Mr. Hwang could have probably developed his own stand-alone application for mathematical plotting, but by creating a `C++` library to do the same thing he accomplished something much greater.

`gnuplot` mathematical visualization software

Another open-source tool for mathematical visualization is `gnuplot`. Interestingly, this tool is *not* part of Richard Stallman’s GNU project, its name being a coincidence. For this reason the authors prefer “gnu” *not* be capitalized at all to avoid confusion. This is a much “lighter-weight” alternative to a spreadsheet for plotting tabular data, and the fact that it easily outputs directly to an X11 console or a file in a number of different graphical formats (including PostScript) is very helpful. I typically set my `gnuplot` output format to default (X11 on my Linux PC) for quick viewing while I’m developing a visualization, then switch to PostScript file export once the visual is ready to include in the document(s) I’m writing. As with my use of `Gimp` to do rudimentary image editing, my use of `gnuplot` only scratches the surface of its capabilities, but the important points are that it’s *free* and that it *works well*.

Python programming language

Both Python and C++ find extensive use in these modules as instructional aids and exercises, but I’m listing Python here as a *tool* for myself because I use it almost daily as a *calculator*. If you open a Python interpreter console and type `from math import *` you can type mathematical expressions and have it return results just as you would on a hand calculator. Complex-number (i.e. *phasor*) arithmetic is similarly supported if you include the complex-math library (`from cmath import *`). Examples of this are shown in the Programming References chapter (if included) in each module. Of course, being a fully-featured programming language, Python also supports conditionals, loops, and other structures useful for calculation of quantities. Also, running in a console environment where all entries and returned values show as text in a chronologically-ordered list makes it easy to copy-and-paste those calculations to document exactly how they were performed.

Appendix D

Creative Commons License

Creative Commons Attribution 4.0 International Public License

By exercising the Licensed Rights (defined below), You accept and agree to be bound by the terms and conditions of this Creative Commons Attribution 4.0 International Public License (“Public License”). To the extent this Public License may be interpreted as a contract, You are granted the Licensed Rights in consideration of Your acceptance of these terms and conditions, and the Licensor grants You such rights in consideration of benefits the Licensor receives from making the Licensed Material available under these terms and conditions.

Section 1 – Definitions.

a. **Adapted Material** means material subject to Copyright and Similar Rights that is derived from or based upon the Licensed Material and in which the Licensed Material is translated, altered, arranged, transformed, or otherwise modified in a manner requiring permission under the Copyright and Similar Rights held by the Licensor. For purposes of this Public License, where the Licensed Material is a musical work, performance, or sound recording, Adapted Material is always produced where the Licensed Material is synched in timed relation with a moving image.

b. **Adapter’s License** means the license You apply to Your Copyright and Similar Rights in Your contributions to Adapted Material in accordance with the terms and conditions of this Public License.

c. **Copyright and Similar Rights** means copyright and/or similar rights closely related to copyright including, without limitation, performance, broadcast, sound recording, and Sui Generis Database Rights, without regard to how the rights are labeled or categorized. For purposes of this Public License, the rights specified in Section 2(b)(1)-(2) are not Copyright and Similar Rights.

d. **Effective Technological Measures** means those measures that, in the absence of proper authority, may not be circumvented under laws fulfilling obligations under Article 11 of the WIPO Copyright Treaty adopted on December 20, 1996, and/or similar international agreements.

e. **Exceptions and Limitations** means fair use, fair dealing, and/or any other exception or

limitation to Copyright and Similar Rights that applies to Your use of the Licensed Material.

f. **Licensed Material** means the artistic or literary work, database, or other material to which the Licensor applied this Public License.

g. **Licensed Rights** means the rights granted to You subject to the terms and conditions of this Public License, which are limited to all Copyright and Similar Rights that apply to Your use of the Licensed Material and that the Licensor has authority to license.

h. **Licensor** means the individual(s) or entity(ies) granting rights under this Public License.

i. **Share** means to provide material to the public by any means or process that requires permission under the Licensed Rights, such as reproduction, public display, public performance, distribution, dissemination, communication, or importation, and to make material available to the public including in ways that members of the public may access the material from a place and at a time individually chosen by them.

j. **Sui Generis Database Rights** means rights other than copyright resulting from Directive 96/9/EC of the European Parliament and of the Council of 11 March 1996 on the legal protection of databases, as amended and/or succeeded, as well as other essentially equivalent rights anywhere in the world.

k. **You** means the individual or entity exercising the Licensed Rights under this Public License. **Your** has a corresponding meaning.

Section 2 – Scope.

a. License grant.

1. Subject to the terms and conditions of this Public License, the Licensor hereby grants You a worldwide, royalty-free, non-sublicensable, non-exclusive, irrevocable license to exercise the Licensed Rights in the Licensed Material to:

A. reproduce and Share the Licensed Material, in whole or in part; and

B. produce, reproduce, and Share Adapted Material.

2. Exceptions and Limitations. For the avoidance of doubt, where Exceptions and Limitations apply to Your use, this Public License does not apply, and You do not need to comply with its terms and conditions.

3. Term. The term of this Public License is specified in Section 6(a).

4. Media and formats; technical modifications allowed. The Licensor authorizes You to exercise the Licensed Rights in all media and formats whether now known or hereafter created, and to make technical modifications necessary to do so. The Licensor waives and/or agrees not to assert any right or authority to forbid You from making technical modifications necessary to exercise the Licensed Rights, including technical modifications necessary to circumvent Effective Technological Measures.

For purposes of this Public License, simply making modifications authorized by this Section 2(a)(4) never produces Adapted Material.

5. Downstream recipients.

A. Offer from the Licensor – Licensed Material. Every recipient of the Licensed Material automatically receives an offer from the Licensor to exercise the Licensed Rights under the terms and conditions of this Public License.

B. No downstream restrictions. You may not offer or impose any additional or different terms or conditions on, or apply any Effective Technological Measures to, the Licensed Material if doing so restricts exercise of the Licensed Rights by any recipient of the Licensed Material.

6. No endorsement. Nothing in this Public License constitutes or may be construed as permission to assert or imply that You are, or that Your use of the Licensed Material is, connected with, or sponsored, endorsed, or granted official status by, the Licensor or others designated to receive attribution as provided in Section 3(a)(1)(A)(i).

b. Other rights.

1. Moral rights, such as the right of integrity, are not licensed under this Public License, nor are publicity, privacy, and/or other similar personality rights; however, to the extent possible, the Licensor waives and/or agrees not to assert any such rights held by the Licensor to the limited extent necessary to allow You to exercise the Licensed Rights, but not otherwise.

2. Patent and trademark rights are not licensed under this Public License.

3. To the extent possible, the Licensor waives any right to collect royalties from You for the exercise of the Licensed Rights, whether directly or through a collecting society under any voluntary or waivable statutory or compulsory licensing scheme. In all other cases the Licensor expressly reserves any right to collect such royalties.

Section 3 – License Conditions.

Your exercise of the Licensed Rights is expressly made subject to the following conditions.

a. Attribution.

1. If You Share the Licensed Material (including in modified form), You must:

A. retain the following if it is supplied by the Licensor with the Licensed Material:

i. identification of the creator(s) of the Licensed Material and any others designated to receive attribution, in any reasonable manner requested by the Licensor (including by pseudonym if designated);

ii. a copyright notice;

- iii. a notice that refers to this Public License;
- iv. a notice that refers to the disclaimer of warranties;
- v. a URI or hyperlink to the Licensed Material to the extent reasonably practicable;

B. indicate if You modified the Licensed Material and retain an indication of any previous modifications; and

C. indicate the Licensed Material is licensed under this Public License, and include the text of, or the URI or hyperlink to, this Public License.

2. You may satisfy the conditions in Section 3(a)(1) in any reasonable manner based on the medium, means, and context in which You Share the Licensed Material. For example, it may be reasonable to satisfy the conditions by providing a URI or hyperlink to a resource that includes the required information.

3. If requested by the Licensor, You must remove any of the information required by Section 3(a)(1)(A) to the extent reasonably practicable.

4. If You Share Adapted Material You produce, the Adapter's License You apply must not prevent recipients of the Adapted Material from complying with this Public License.

Section 4 – Sui Generis Database Rights.

Where the Licensed Rights include Sui Generis Database Rights that apply to Your use of the Licensed Material:

- a. for the avoidance of doubt, Section 2(a)(1) grants You the right to extract, reuse, reproduce, and Share all or a substantial portion of the contents of the database;
- b. if You include all or a substantial portion of the database contents in a database in which You have Sui Generis Database Rights, then the database in which You have Sui Generis Database Rights (but not its individual contents) is Adapted Material; and
- c. You must comply with the conditions in Section 3(a) if You Share all or a substantial portion of the contents of the database.

For the avoidance of doubt, this Section 4 supplements and does not replace Your obligations under this Public License where the Licensed Rights include other Copyright and Similar Rights.

Section 5 – Disclaimer of Warranties and Limitation of Liability.

a. Unless otherwise separately undertaken by the Licensor, to the extent possible, the Licensor offers the Licensed Material as-is and as-available, and makes no representations or warranties of any kind concerning the Licensed Material, whether express, implied, statutory, or other. This includes, without limitation, warranties of title, merchantability, fitness for a particular purpose, non-infringement, absence of latent or other defects, accuracy, or the presence or absence of errors,

whether or not known or discoverable. Where disclaimers of warranties are not allowed in full or in part, this disclaimer may not apply to You.

b. To the extent possible, in no event will the Licensor be liable to You on any legal theory (including, without limitation, negligence) or otherwise for any direct, special, indirect, incidental, consequential, punitive, exemplary, or other losses, costs, expenses, or damages arising out of this Public License or use of the Licensed Material, even if the Licensor has been advised of the possibility of such losses, costs, expenses, or damages. Where a limitation of liability is not allowed in full or in part, this limitation may not apply to You.

c. The disclaimer of warranties and limitation of liability provided above shall be interpreted in a manner that, to the extent possible, most closely approximates an absolute disclaimer and waiver of all liability.

Section 6 – Term and Termination.

a. This Public License applies for the term of the Copyright and Similar Rights licensed here. However, if You fail to comply with this Public License, then Your rights under this Public License terminate automatically.

b. Where Your right to use the Licensed Material has terminated under Section 6(a), it reinstates:

1. automatically as of the date the violation is cured, provided it is cured within 30 days of Your discovery of the violation; or

2. upon express reinstatement by the Licensor.

For the avoidance of doubt, this Section 6(b) does not affect any right the Licensor may have to seek remedies for Your violations of this Public License.

c. For the avoidance of doubt, the Licensor may also offer the Licensed Material under separate terms or conditions or stop distributing the Licensed Material at any time; however, doing so will not terminate this Public License.

d. Sections 1, 5, 6, 7, and 8 survive termination of this Public License.

Section 7 – Other Terms and Conditions.

a. The Licensor shall not be bound by any additional or different terms or conditions communicated by You unless expressly agreed.

b. Any arrangements, understandings, or agreements regarding the Licensed Material not stated herein are separate from and independent of the terms and conditions of this Public License.

Section 8 – Interpretation.

a. For the avoidance of doubt, this Public License does not, and shall not be interpreted to, reduce, limit, restrict, or impose conditions on any use of the Licensed Material that could lawfully

be made without permission under this Public License.

b. To the extent possible, if any provision of this Public License is deemed unenforceable, it shall be automatically reformed to the minimum extent necessary to make it enforceable. If the provision cannot be reformed, it shall be severed from this Public License without affecting the enforceability of the remaining terms and conditions.

c. No term or condition of this Public License will be waived and no failure to comply consented to unless expressly agreed to by the Licensor.

d. Nothing in this Public License constitutes or may be interpreted as a limitation upon, or waiver of, any privileges and immunities that apply to the Licensor or You, including from the legal processes of any jurisdiction or authority.

Creative Commons is not a party to its public licenses. Notwithstanding, Creative Commons may elect to apply one of its public licenses to material it publishes and in those instances will be considered the “Licensor.” Except for the limited purpose of indicating that material is shared under a Creative Commons public license or as otherwise permitted by the Creative Commons policies published at creativecommons.org/policies, Creative Commons does not authorize the use of the trademark “Creative Commons” or any other trademark or logo of Creative Commons without its prior written consent including, without limitation, in connection with any unauthorized modifications to any of its public licenses or any other arrangements, understandings, or agreements concerning use of licensed material. For the avoidance of doubt, this paragraph does not form part of the public licenses.

Creative Commons may be contacted at creativecommons.org.

Appendix E

References

Hering, Carl, "The Transmission of Power", *Cassier's Magazine*, Volume 1, pp. 449-456, The Cassier Magazine Company, New York, April 1892.

National Electrical Code, NFPA 70, 2017 edition, National Fire Protection Association, Quincy, MA, 2016.

Todd, Victor H., *Protective Relays – their theory, design, and practical operation*, First Edition, Fourth Impression, McGraw-Hill Book Company, Inc., New York, 1922.

Appendix F

Version history

This is a list showing all significant additions, corrections, and other edits made to this learning module. Each entry is referenced by calendar date in reverse chronological order (newest version first), which appears on the front cover of every learning module for easy reference. Any contributors to this open-source document are listed here as well.

25 August 2024 – added another section to the Introduction chapter specifically for challenges related to this module’s topic.

26 June 2024 – divided the Introduction chapter into two sections, one for students and one for instructors, and added content to the instructor section recommending learning outcomes and measures.

27-28 November 2022 – placed questions at the top of the itemized list in the Introduction chapter prompting students to devise experiments related to the tutorial content.

1 September 2022 – minor edits made to some of the instructor notes.

17 June 2022 – divided Tutorial chapter into sections, and also added content on small-gauge wire ampacities.

2 September 2021 – added instructor notes, and also a Technical Reference section on small-gauge copper wire ampacities and a Historical Reference section on early circuit breakers.

18 July 2021 – added an “Applying foundational concepts...” question to the Conceptual Reasoning section of the Questions chapter.

8 May 2021 – commented out or deleted empty chapters.

11 February 2021 – corrected instances where “Ohms” was uncapitalized.

1 February 2021 – relocated a footnote in the Tutorial to avoid having it look like a mathematical exponent, plus some minor edits to reduce word count on one of the pages.

3 September 2020 – added more detail to the Introduction chapter.

29 August 2020 – significantly edited the Introduction chapter to make it more suitable as a pre-study guide and to provide cues useful to instructors leading “inverted” teaching sessions. Also, added photograph of a destroyed PCB to the Tutorial.

11 May 2020 – document first created.

Index

- Adding quantities to a qualitative problem, 58
- AGC type fuse, 16
- American Wire Gauge, 12, 33
- Ampacity, 32
- Ampacity, wire, 12
- Annotating diagrams, 57
- Arc fault circuit breaker, 20
- AWG, 12, 33

- Cassier's Magazine, 27
- Checking for exceptions, 58
- Checking your work, 58
- Circuit breaker, 17
- Circuit breaker panel, 19
- Code, computer, 65
- Conservation of Electric Charge, 14
- Conservation of Energy, 8, 10
- Coordination, overcurrent protection, 22

- Dependent variable, 11
- Dimensional analysis, 57

- Edwards, Tim, 66
- Energy, 8

- Fuse panel, 19
- Fuse, ceramic cartridge, 16
- Fuse, glass cartridge, 16
- Fuseholder, 16

- Graph values to solve a problem, 58
- Greenleaf, Cynthia, 35

- How to teach with these modules, 60
- Hwang, Andrew D., 67

- Identify given data, 57
- Identify relevant principles, 57

- Independent variable, 11
- Instructions for projects and experiments, 61
- Intermediate results, 57
- Interrupting time, 25
- Inverted instruction, 60

- Joule's Law, 8, 32

- Knuth, Donald, 66

- Lamport, Leslie, 66
- Limiting cases, 58

- Magnetic circuit breaker, 17
- Maxwell, James Clerk, 23
- MDL type fuse, 16
- Metacognition, 40
- Moolenaar, Bram, 65
- Murphy, Lynn, 35

- National Electrical Code, 12, 32
- National Fire Protection Association, 12
- NEC, 12, 32
- NFPA 70, 12, 32
- NFPA 79, 12, 32

- Ohm's Law, 9
- Open switch, 14
- Open-source, 65
- Overcurrent protection coordination, 22

- Panel, 19
- Problem-solving: annotate diagrams, 57
- Problem-solving: check for exceptions, 58
- Problem-solving: checking work, 58
- Problem-solving: dimensional analysis, 57
- Problem-solving: graph values, 58
- Problem-solving: identify given data, 57

- Problem-solving: identify relevant principles, 57
- Problem-solving: interpret intermediate results, 57
- Problem-solving: limiting cases, 58
- Problem-solving: qualitative to quantitative, 58
- Problem-solving: quantitative to qualitative, 58
- Problem-solving: reductio ad absurdum, 58
- Problem-solving: simplify the system, 57
- Problem-solving: thought experiment, 57
- Problem-solving: track units of measurement, 57
- Problem-solving: visually represent the system, 57
- Problem-solving: work in reverse, 58

- Qualitatively approaching a quantitative problem, 58

- Raceway, 12
- Reading Apprenticeship, 35
- Reductio ad absurdum, 58–60

- Schoenbach, Ruth, 35
- Scientific method, 40
- Short-circuit, 15, 20
- Simplifying a system, 57
- Socrates, 59
- Socratic dialogue, 60
- SPICE, 35
- Stallman, Richard, 65
- Superconductivity, 10
- Switch, 14

- Thermal circuit breaker, 17
- Thermal imaging camera, 11
- Thought experiment, 57
- Torvalds, Linus, 65
- Tripping time, 25

- Units of measurement, 57

- Visualizing a system, 57

- Wire ampacity, 12
- Work in reverse to solve a problem, 58
- WYSIWYG, 65, 66