

AC motor theory

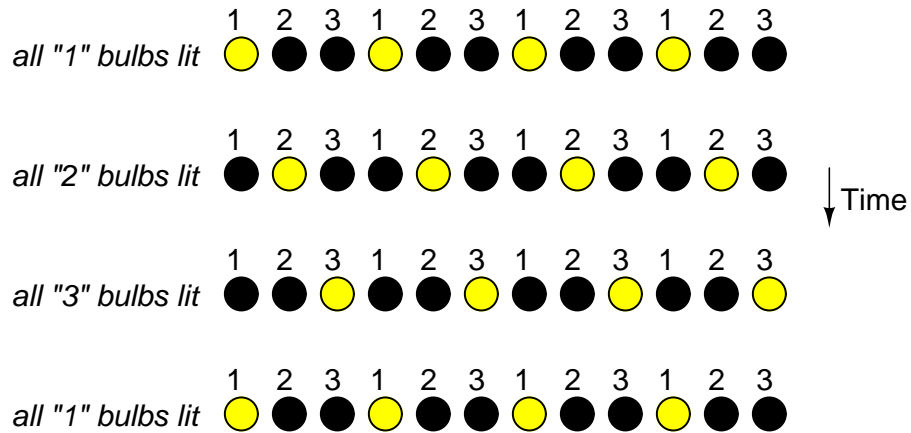
This worksheet and all related files are licensed under the Creative Commons Attribution License, version 1.0. To view a copy of this license, visit <http://creativecommons.org/licenses/by/1.0/>, or send a letter to Creative Commons, 559 Nathan Abbott Way, Stanford, California 94305, USA. The terms and conditions of this license allow for free copying, distribution, and/or modification of all licensed works by the general public.

Resources and methods for learning about these subjects (list a few here, in preparation for your research):

Questions

Question 1

A technique commonly used in special-effects lighting is to sequence the on/off blinking of a string of light bulbs, to produce the effect of motion without any moving objects:



phase sequence = 1-2-3

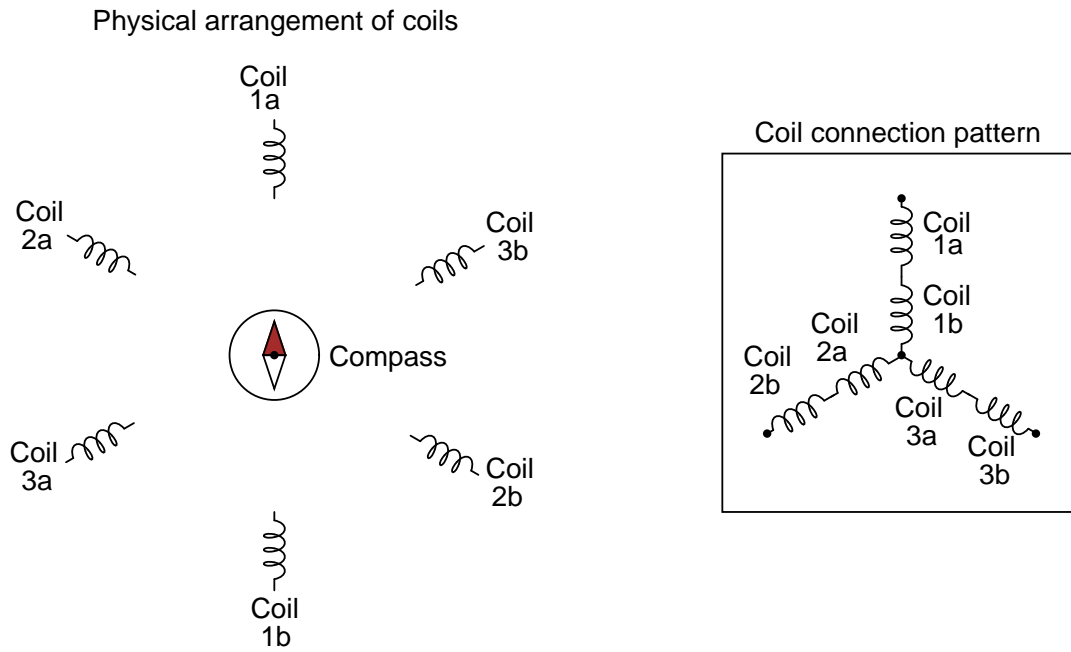
bulbs appear to be "moving" from left to right

What would the effect be if this string of lights were arranged in a *circle* instead of a line? Also, explain what would have to change electrically to alter the "speed" of the blinking lights' "motion".

[file 00734](#)

Question 2

If a set of six electromagnet coils were spaced around the periphery of a circle and energized by 3-phase AC power, what would a magnetic compass do that was placed in the center?

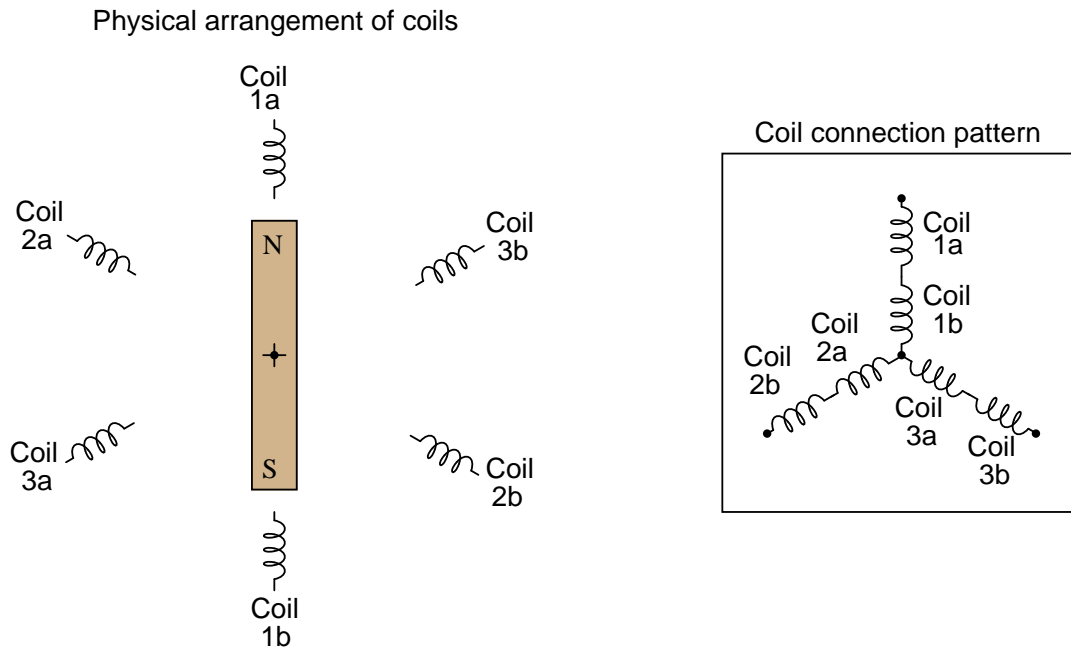


Hint: imagine the electromagnets were light bulbs instead, and the frequency of the AC power was slow enough to see each light bulb cycle in brightness, from fully dark to fully bright and back again. What would the pattern of lights appear to do?

[file 00737](#)

Question 3

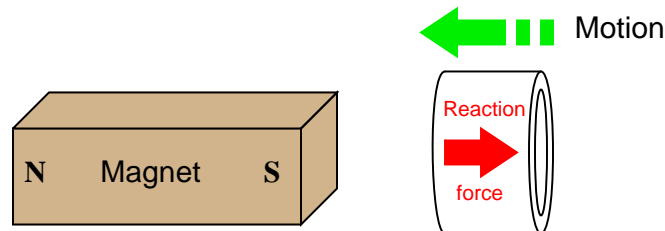
Explain what will happen to the magnetized rotor when 3-phase AC power is applied to the stationary electromagnet coils:



[file 00738](#)

Question 4

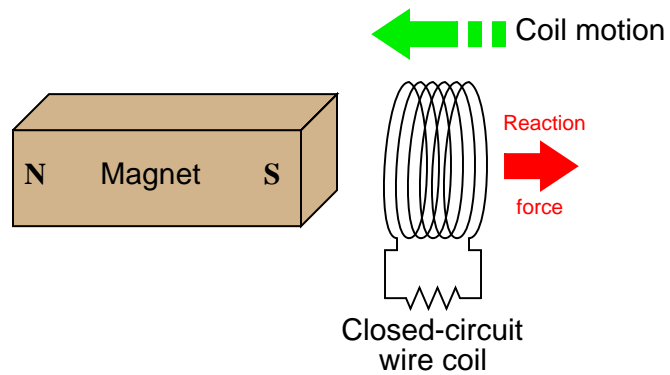
If a copper ring is brought closer to the end of a permanent magnet, a repulsive force will develop between the magnet and the ring. This force will cease, however, when the ring stops moving. What is this effect called?



Also, describe what will happen if the copper ring is moved *away* from the end of the permanent magnet.
[file 00254](#)

Question 5

If a closed-circuit wire coil is brought closer to the end of a permanent magnet, a repulsive force will develop between the magnet and the coil. This force will cease, however, when the coil stops moving. What is this effect called?

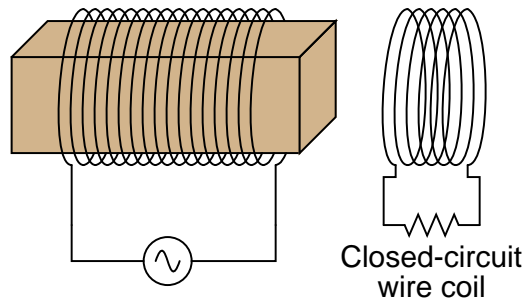


Also, describe what will happen if the wire coil fails open. Does the same effect persist? Why or why not?

[file 00735](#)

Question 6

Describe what will happen to a closed-circuit wire coil if it is placed in close proximity to an electromagnet energized by alternating current:

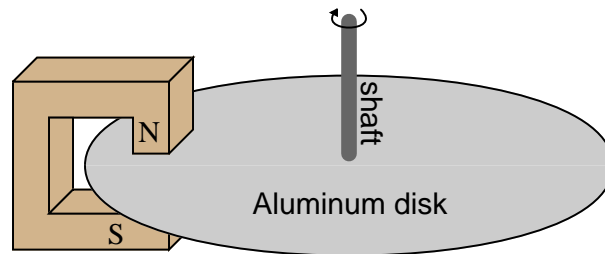


Also, describe what will happen if the wire coil fails open.

[file 00736](#)

Question 7

Electromechanical watt-hour meters use an aluminum disk that is spun by an electric motor. To generate a constant "drag" on the disk necessary to limit its rotational speed, a strong magnet is placed in such a way that its lines of magnetic flux pass perpendicularly through the disk's thickness:



The disk itself need not be made of a ferromagnetic material in order for the magnet to create a "drag" force. It simply needs to be a good conductor of electricity.

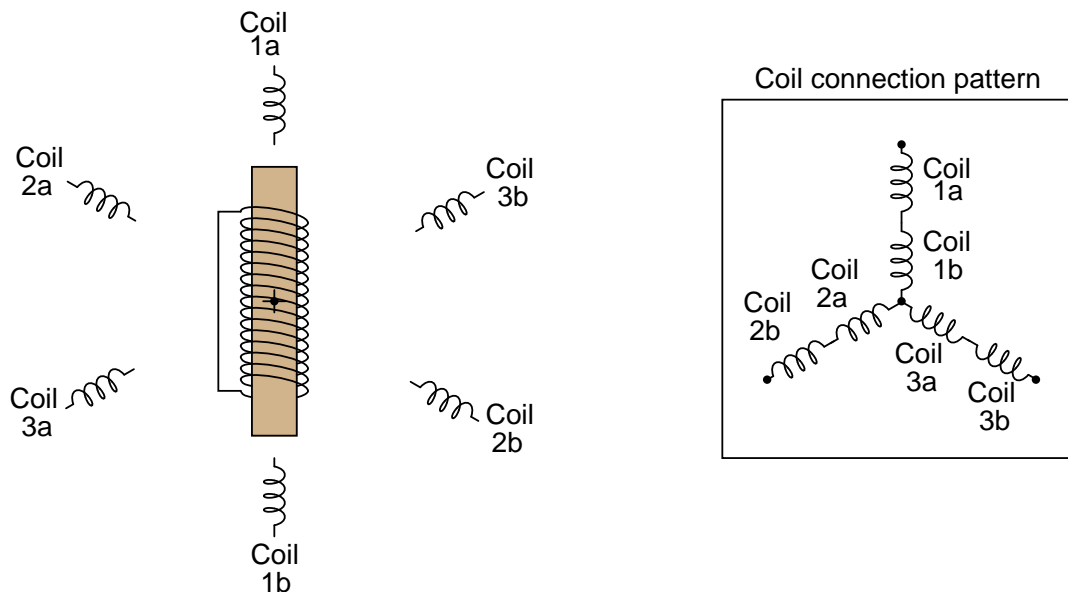
Explain the phenomenon accounting for the drag effect, and also explain what would happen if the roles of magnet and disk were reversed: if the magnet were moved in a circle around the periphery of a stationary disk.

[file 00745](#)

Question 8

Explain what will happen to the unmagnetized rotor when 3-phase AC power is applied to the stationary electromagnet coils. Note that the rotor is actually a short-circuited electromagnet:

Physical arrangement of coils



[file 00739](#)

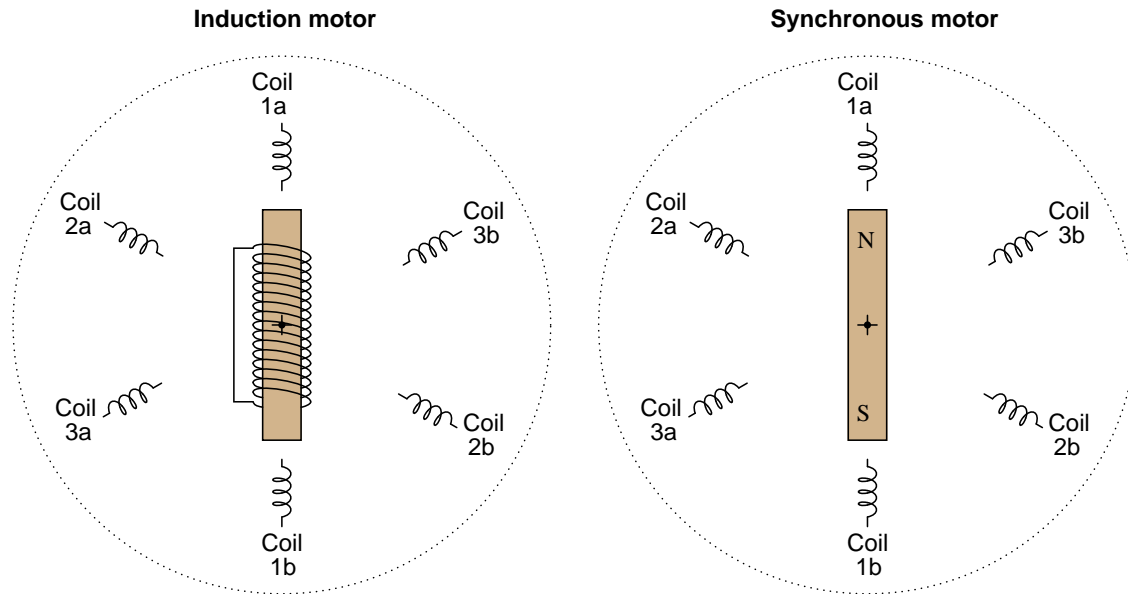
Question 9

Explain what *slip speed* is for an AC induction motor, and why there must be such as thing as "slip" in order for an induction motor to generate torque.

[file 03216](#)

Question 10

These two electric motor designs are quite similar in appearance, but differ in the specific principle that makes the rotor move:



Synchronous AC motors use a permanent magnet rotor, while *induction* motors use an electromagnet rotor. Explain what practical difference this makes in each motor's operation, and also explain the meaning of the motors' names. Why is one called "synchronous" and the other called "induction"?

[file 00740](#)

Question 11

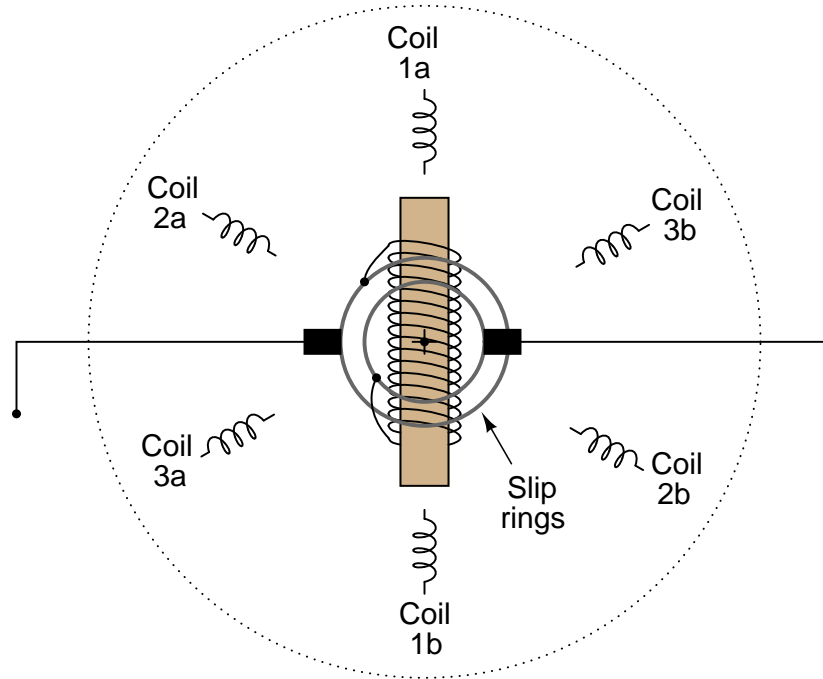
Synchronous AC motors operate with zero *slip*, which is what primarily distinguishes them from induction motors. Explain what "slip" means for an induction motor, and why synchronous motors do not have it.

[file 03217](#)

Question 12

An interesting variation on the induction motor theme is the *wound-rotor* induction motor. In the simplest form of a wound-rotor motor, the rotor's electromagnet coil terminates on a pair of slip rings which permit contact with stationary carbon brushes, allowing an external circuit to be connected to the rotor coil:

Wound-rotor induction motor



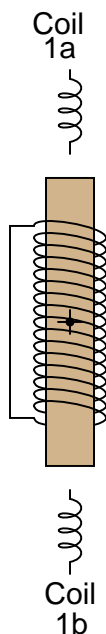
Explain how this motor can be operated as either a synchronous motor or a "plain" induction motor.
[file 00741](#)

Question 13

A very common design of AC motor is the so-called *squirrel cage* motor. Describe how a "squirrel cage" motor is built, and classify it as either an "induction" motor or a "synchronous" motor.
[file 00742](#)

Question 14

Suppose an induction motor were built to run on single-phase AC power rather than polyphase AC power. Instead of multiple sets of windings, it only has one set of windings:



Which way would the rotor start to spin as power is applied?

[file 00743](#)

Question 15

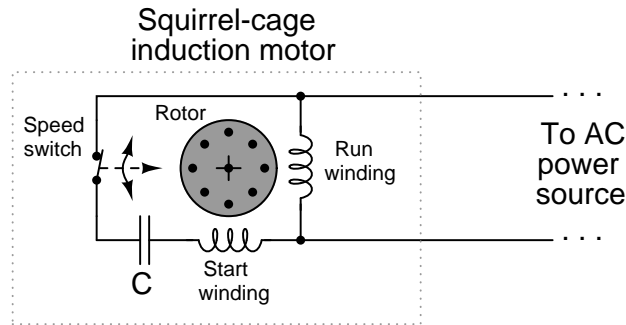
Describe the operating principles of these three methods for starting single-phase induction motors:

- Shaded pole
- Split-phase, capacitor
- Split-phase (resistor or inductor)

[file 00744](#)

Question 16

Many single-phase "squirrel-cage" induction motors use a special *start winding* which is energized only at low (or no) speed. When the rotor reaches full operating speed, the starting switch opens to de-energize the start winding:

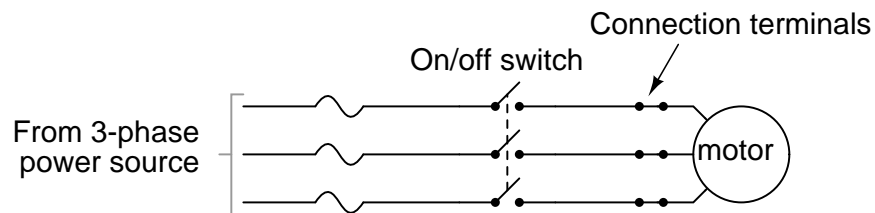


Explain why this special winding is necessary for the motor to start, and also why there is a capacitor connected in series with this start winding. What would happen if the start switch, capacitor, or start winding were to fail open?

[file 03622](#)

Question 17

What would we have to do in order to reverse the rotation of this three-phase induction motor?

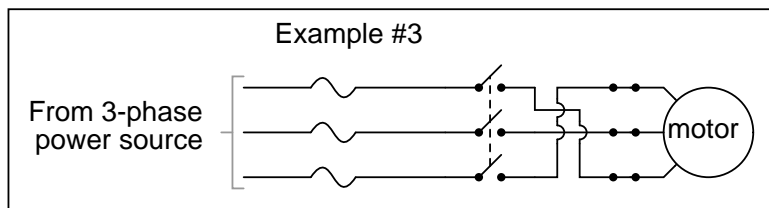
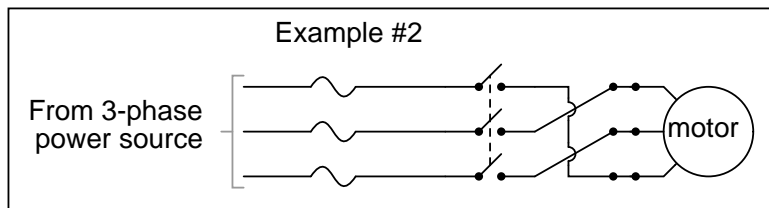
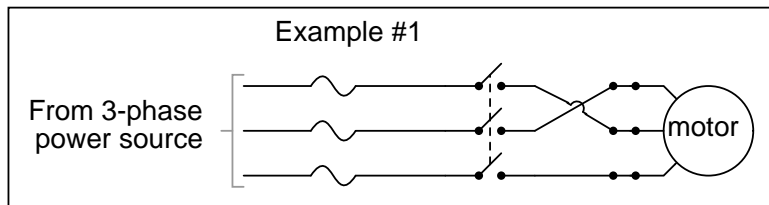
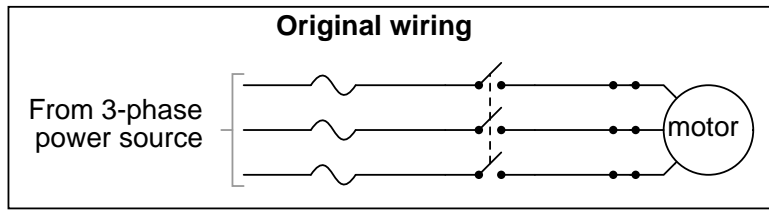


Explain your answer. Describe how the (simple) solution to this problem works.

[file 00415](#)

Question 18

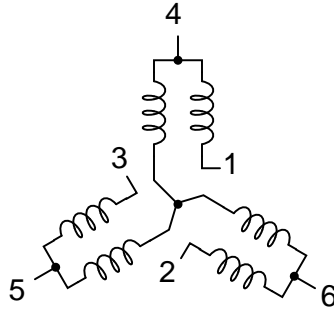
The lines of a three-phase power system may be connected to the terminals of a three-phase motor in several different ways. Which of these altered motor connections will result in the motor reversing direction?



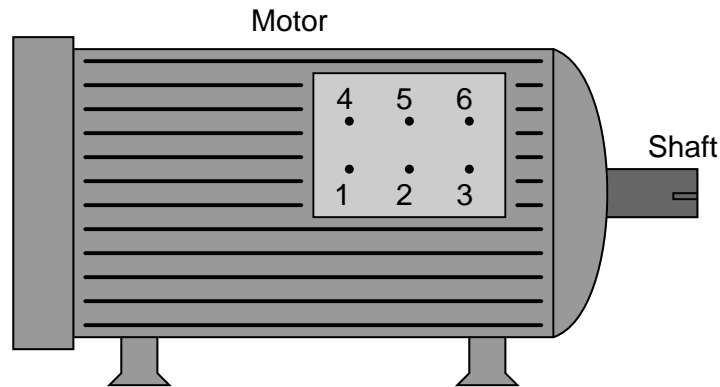
file 00419

Question 19

Some AC induction motors are equipped with multiple windings so they may operate at two distinct speeds (low speed usually being one-half of high speed). Shown here is the connection diagram for one type of two-speed motor:



There are six terminals on the motor itself where the connections are made:



The motor's datasheet will specify how the connections are to be made. This is typical:

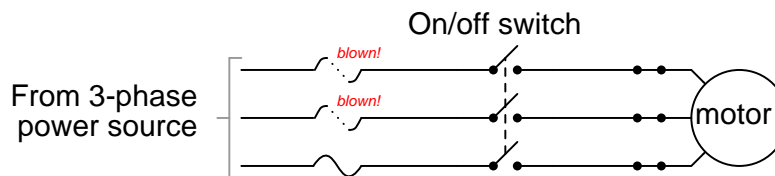
Speed	ϕ -A	ϕ -B	ϕ -C	Left open	Shorted together
Low	1	2	3	4,5,6	
High	4	5	6		1,2,3

Explain why the motor runs at half-speed in one connection scheme and full speed in the other. What is going on that makes this possible?

[file 03218](#)

Question 20

This electric motor was operating just fine, then one day it mysteriously shut down. The electrician discovered two blown fuses, which he then replaced:



When the on/off switch was closed again, the motor made a loud "humming" noise, then became quiet after a few seconds. It never turned, though. Upon inspection, the electrician discovered the same two fuses had blown again.

If you were asked to help troubleshoot this electric motor circuit, what would you recommend as the next step?

file 00422

Answers

Answer 1

If arranged in a circle, the lights would appear to rotate. The speed of this "rotation" depends on the *frequency* of the on/off blinking.

Follow-up question: what electrical change(s) would you have to make to reverse the direction of the lights' apparent motion?

Challenge question: what would happen to the apparent motion of the lights if one of the phases (either 1, 2, or 3) were to fail, so that none of the bulbs with that number would ever light up?

Answer 2

The compass needle would rotate.

Challenge question: what would happen to the apparent motion of the magnetic field if one of the phases (either 1, 2, or 3) were to fail, so that none of the coils with that number would ever energize?

Answer 3

The magnetic rotor will rotate as it tries to orient itself with the rotating magnetic field.

Follow-up question: what must we do with the AC power energizing the coils to increase the rotor's rotational speed?

Answer 4

The phenomenon is known as *Lenz's Law*. If the copper ring is moved *away* from the end of the permanent magnet, the direction of force will reverse and become attractive rather than repulsive.

Follow-up question: trace the direction of rotation for the induced electric current in the ring necessary to produce both the repulsive and the attractive force.

Challenge question: what would happen if the magnet's orientation were reversed (south pole on left and north pole on right)?

Answer 5

The phenomenon is known as *Lenz's Law*, and it exists only when there is a continuous path for current (i.e. a complete circuit) in the wire coil.

Answer 6

The wire coil will vibrate as it is alternately attracted to, and repelled by, the electromagnet. If the coil fails open, the vibration will cease.

Challenge question: how could we *vary* the coil's vibrational force without varying the amplitude of the AC power source?

Answer 7

This is an example of *Lenz's Law*. A rotating magnet would cause a torque to be generated in the disk.

Answer 8

The rotor will rotate due to the action of Lenz's Law.

Follow-up question: what would happen if the rotor's coil were to become open-circuited?

Answer 9

The difference between the speed of the rotating magnetic field (fixed by line power frequency) and the speed of the rotor is called "slip speed". Some amount of slip is necessary to generate torque because without it there would be no change in magnetic flux ($\frac{d\phi}{dt}$) seen by the rotor, and thus no induced currents in the rotor.

Answer 10

Synchronous motors rotate in "sync" to the power line frequency. Induction motors rotate a bit slower, their rotors always "slipping" slightly slower than the speed of the rotating magnetic field.

Challenge question: what would happen if an induction motor were mechanically brought up to speed with its rotating magnetic field? Imagine using an engine or some other prime-mover mechanism to force the induction motor's rotor to rotate at synchronous speed, rather than "slipping" behind synchronous speed as it usually does. What effect(s) would this have?

Answer 11

Synchronous motors do not slip because their rotors are magnetized so as to always follow the rotating magnetic field precisely. Induction motor rotors are become magnetized by induction, necessitating a difference in speed ("slip") between the rotating magnetic field and the rotor.

Answer 12

A wound-rotor motor with a single rotor coil may be operated as a synchronous motor by energizing the rotor coil with direct current (DC). Induction operation is realized by short-circuiting the slip rings together, through the brush connections.

Challenge question: what will happen to this motor if a *resistance* is connected between the brushes, instead of a DC source or a short-circuit?

Answer 13

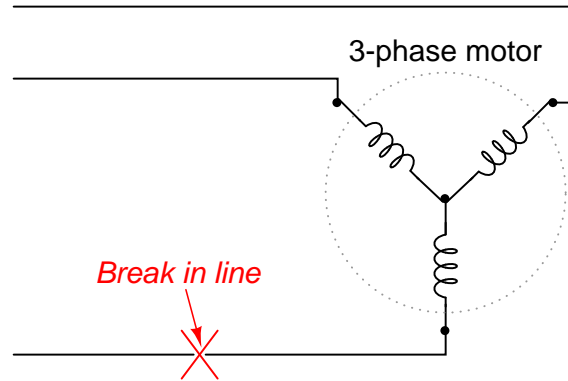
There is a lot of information on "squirrel cage" electric motors. I will leave it to you to do the research.

Answer 14

The rotor would not spin at all – it would merely vibrate. However, if you mechanically forced the rotor to spin in one direction, it would keep going that direction, speeding up until it reached full speed.

Follow-up question: what does this tell us about the behavior of single-phase induction motors that is fundamentally different from polyphase induction motors?

Challenge question: what does this tell us about the effects of an open line conductor on a three-phase induction motor?



Answer 15

In each of these techniques, a "trick" is used to create a truly rotating magnetic field from what would normally be a reciprocating (single-phase) magnetic field. The "shaded pole" technique is magnetic, while the other two techniques use phase-shifting. I will leave research of the details up to you.

Answer 16

Single-phase AC has no definite direction of "rotation" like polyphase AC does. Consequently, a second, phase-shifted magnetic field must be generated in order to give the rotor a starting torque.

Challenge question: explain what you would have to do to reverse the direction of this "capacitor-start" motor.

Answer 17

Reverse any two lines. This will reverse the phase sequence (from ABC to CBA).

Answer 18

Examples #1 and #3 will reverse the motor's rotation (as compared to the original wiring). Example #2 will not.

Answer 19

The difference between the two connection schemes is the polarity of three of the coils in relation to the other three. This is called the *consequent pole* design of two-speed motor, where you essentially double the number of poles in the motor by reconnection.

Obviously, something is wrong with the circuit, if it keeps blowing the same two fuses. So, the answer is *not*, "Install larger fuses!"

It would make sense to proceed by answering this question: what type of fault typically blows fuses? What types of tests could you perform on a circuit like this in order to locate those types of faults? Bear in mind that the behavior of electric motors is quite unlike many other types of loads. This is an electromechanical device, so the problem may not necessarily be limited to electrical faults!

Notes

Notes 1

Ask your students to describe what would happen to the blinking lights if the *voltage* were increased or decreased. Would this alter the perceived speed of motion?

Although this question may seem insultingly simple to many, its purpose is to introduce other sequenced-based phenomenon such as polyphase electric motor theory, where the answers to analogous questions are not so obvious.

Notes 2

The concept of the rotating magnetic field is central to AC motor theory, so it is imperative that students grasp this concept before moving on to more advanced concepts. If you happen to have a string of blinking "Christmas lights" to use as a prop in illustrating a rotating magnetic field, this would be a good thing to show your students during discussion time.

Notes 3

Here, we see a practical 3-phase electric motor. Be sure to thoroughly discuss what is necessary to increase or decrease rotor speed, and compare this with what is necessary to increase or decrease speed in a DC motor.

Notes 4

This phenomenon is difficult to demonstrate without a very powerful magnet. However, if you have such apparatus available in your lab area, it would make a great piece for demonstration!

One practical way I've demonstrated Lenz's Law is to obtain a rare-earth magnet (*very* powerful!), set it pole-up on a table, then drop an aluminum coin (such as a Japanese Yen) so it lands on top of the magnet. If the magnet is strong enough and the coin is light enough, the coin will gently come to rest on the magnet rather than hit hard and bounce off.

A more dramatic illustration of Lenz's Law is to take the same coin and spin it (on edge) on a table surface. Then, bring the magnet close to the edge of the spinning coin, and watch the coin promptly come to a halt, without contact between the coin and magnet.

Another illustration is to set the aluminum coin on a smooth table surface, then quickly move the magnet over the coin, parallel to the table surface. If the magnet is close enough, the coin will be "dragged" a short distance as the magnet passes over.

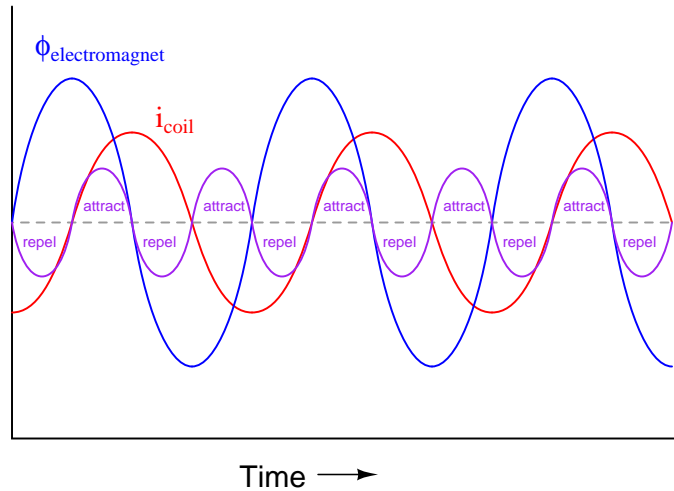
In all these demonstrations, it is significant to show to your students that the coin itself is not magnetic. It will not stick to the magnet as an iron or steel coin would, thus any force generated between the coin and magnet is strictly due to *induced currents* and not ferromagnetism.

Notes 5

The phenomenon of Lenz's Law is usually showcased using a metal solid such as a disk or ring, rather than a wire coil, but the phenomenon is the same.

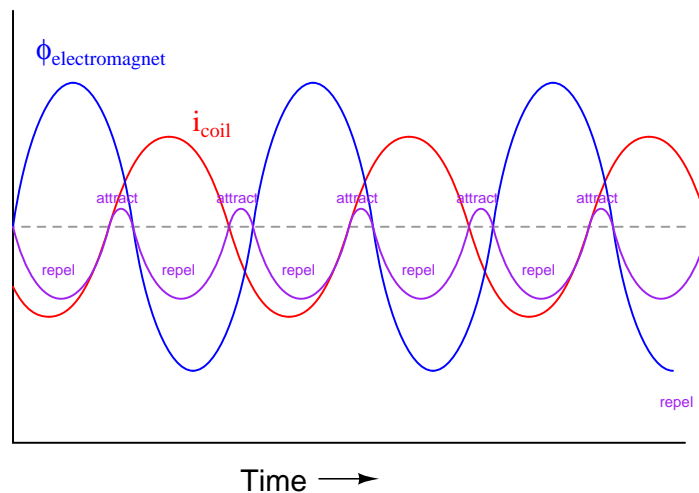
Be sure to note in your discussion with students that the coil does not have to be made of a magnetic material, such as iron. Copper or aluminum will work quite nicely because Lenz's Law is an *electromagnetic* effect, not a magnetic effect.

The *real* answer to this question is substantially more complex than the one given. In the example given, I assume that the resistance placed in the coil circuit swamps the coil's self-inductance. In a case such as this, the coil current will be (approximately) in-phase with the induced voltage. Since the induced voltage will lag 90 degrees behind the incident (electromagnet) field, this means the coil current will also lag 90 degrees behind the incident field, and the force generated between that coil and the AC electromagnet will alternate between attraction and repulsion:



Note the equal-amplitude attraction and repulsion peaks shown on the graph.

However, in situations where the coil's self-inductance is significant, the coil current will lag behind the induced voltage, causing the coil current waveform to fall further out of phase with the electromagnet current waveform:



Given a phase shift between the two currents greater than 90 degrees (approaching 180 degrees), there is greater repulsion force for greater duration than there is attractive force. If the coil were a superconducting

ring (no resistance whatsoever), the force would *only* be repulsive!

So, the answer to this "simple" Lenz's Law question really depends on the coil circuit: whether it is considered primarily resistive or primarily inductive. Only if the coil's self-inductance is negligible will the reactive force equally alternate between attraction and repulsion. The more inductive (the less resistive) the coil circuit becomes, the more net repulsion there will be.

Notes 7

Mechanical speedometer assemblies used on many automobiles use this very principle: a magnet assembly is rotated by a cable connected to the vehicle's driveshaft. This magnet rotates in close proximity to a metal disk, which gets "dragged" in the same direction that the magnet spins. The disk's torque acts against the resistance of a spring, deflecting a pointer along a scale, indicating the speed of the vehicle. The faster the magnet spins, the more torque is felt by the disk.

Notes 8

Here, we see a practical 3-phase *induction* motor. Be sure to thoroughly discuss what is necessary to increase or decrease rotor speed, and compare this with what is necessary to increase or decrease speed in a DC motor.

Notes 9

It is easy enough for students to research "slip speed" in any motor reference book and present a definition. It is quite another for them to explain *why* slip is necessary. Be sure to allow ample time in class to discuss this concept, because it is at the heart of induction motor operation.

Notes 10

It is very important that students realize Lenz's Law is an *induced* effect, which only manifests when a *changing* magnetic field cuts through perpendicular conductors. Ask your students to explain how the word "induction" applies to Lenz's Law, and to the induction motor design. Ask them what conditions are necessary for electromagnetic induction to occur, and how those conditions are met in the normal operation of an induction motor.

The challenge question is really a test of whether or not students have grasped the concept. If they truly understand how electromagnetic induction takes place in an induction motor, they will realize that there will be no induction when the rotor rotates in "sync" with the rotating magnetic field, and they will be able to relate this loss of induction to rotor torque.

Notes 11

The concept of "slip" is confusing to many students, so be prepared to help them understand by way of multiple explanations, Socratic questioning, and perhaps live demonstrations.

Notes 12

In reality, almost all large synchronous motors are built this way, with an electromagnetic rotor rather than a permanent-magnet rotor. This allows the motor to start much easier. Ask your students why they think this would be an important feature in a large synchronous motor, to be able to start it as an induction motor. What would happen if AC power were suddenly applied to a large synchronous motor with its rotor already magnetized?

If a resistance is connected between the brushes, it allows for an even easier start-up. By "easier," I mean a start-up that draws less inrush current, resulting in a gentler ramp up to full speed.

Notes 13

Although it is easy enough for students to find information on squirrel cage motors classifying them as either induction or synchronous, you should challenge your students to *explain* why it is one type or the other. The goal here, as always, is *comprehension* over *memorization*.

Notes 14

This is a "trick" question, in that the student is asked to determine which direction the rotor will start to spin, when in fact it has no "preferred" direction of rotation. An excellent means of demonstrating this effect is to take a regular single-phase motor and disconnect its start switch so that it is electrically identical to the motor shown in the question, then connect it to an AC power source. It will not spin until you give the shaft a twist with your hand. But be careful: once it starts to turn, it ramps up to full speed quickly!

The real purpose of this question is to get students to recognize the main "handicap" of a single-phase AC motor, and to understand what is required to overcome that limitation. The challenge question essentially asks students what happens to a three-phase motor that is suddenly forced to operate as a single-phase motor due to a line failure. Incidentally, this is called *single-phasing* of the motor, and it is not good!

Notes 15

There are many details which can be discussed with students regarding these methods of single-phase motor starting. Thankfully, there are many good-quality sources of information on single-phase motor theory and construction, so finding information on this topic will not be difficult for your students.

Notes 16

Capacitor-start squirrel-cage induction motors are very popular in applications where there is a need for high starting torque. Many induction motor shop tools (drill presses, lathes, radial-arm saws, air compressors) use capacitor-start motors.

Notes 17

One of the reasons three-phase motors are preferred in industry is the simplicity of rotation reversal. However, this is also a problem because when you connect a three-phase motor to its power source during maintenance or installation procedures, you often do not know which way it will rotate until you turn the power on!

Discuss with your students how an electrician might go about his or her job when installing a three-phase motor. What would be the proper lock-out/tag-out sequence, and steps to take when connecting a motor to its power source? What would have to be done if it is found the motor rotates in the wrong direction?

Notes 18

It is helpful to review the concept of phase rotation sequences as a string of letters: A-B-C, or C-B-A. Although these two letter sequences are the most common for denoting the two different rotation directions, they are not the only sequences possible using three letters. For example, A-C-B, B-A-C, C-A-B, and B-C-A are also possibilities. Discuss with your students which of these letter sequences represents the same *direction* of rotation as A-B-C, and which represent the same direction of rotation as C-B-A. Then, ask your students how they might apply these letter sequences to the different wiring diagrams shown in the question.

Notes 19

Consequent pole motors are not the only design with multiple speeds. Sometimes motors are wound with completely separate, multiple windings, which give them any combinations of speeds desired.

Notes 20

This question should provoke some interesting discussion! An interesting "twist" to this problem is to suggest (after some discussion) that the motor itself checks out fine when tested with an ohmmeter (no ground faults, no open or shorted windings), and that its shaft may be turned freely by hand. What could possibly be the source of trouble now?