

Elementary amplifier theory

This worksheet and all related files are licensed under the Creative Commons Attribution License, version 1.0. To view a copy of this license, visit <http://creativecommons.org/licenses/by/1.0/>, or send a letter to Creative Commons, 559 Nathan Abbott Way, Stanford, California 94305, USA. The terms and conditions of this license allow for free copying, distribution, and/or modification of all licensed works by the general public.

Resources and methods for learning about these subjects (list a few here, in preparation for your research):

Questions

Question 1

Fundamentally, an *amplifier* is a device that takes in a low-power signal and outputs a magnified (power-boosted) facsimile of the input signal. Explain how it is possible for such a device to exist. Doesn't the Law of Energy Conservation ("Energy can neither be created nor destroyed") preclude the existence of a power-boosting device?

[file 00863](#)

Question 2

An important parameter of every amplifier is *gain*. Explain what "gain" is, and write a simple equation defining gain in terms of signal voltage.

[file 00864](#)

Question 3

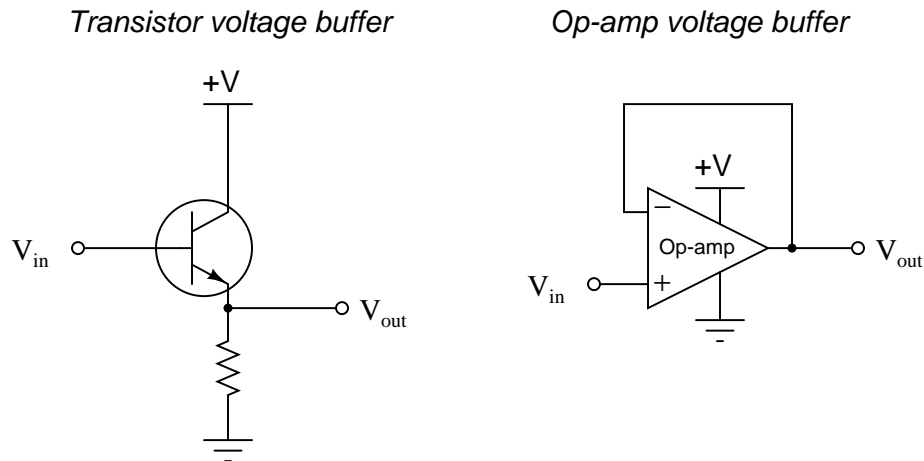
At the heart of every amplifier is a device that uses one signal to control another. In electronics, this means a device that uses a small voltage or current signal to control a larger voltage or current.

The first electronic amplifying circuits were constructed with devices called *electron tubes* instead of *transistors*. Tubes still find specialized applications in electronics, but they have largely been replaced by transistors. Why is this? What advantages do transistors have over tubes as amplifying devices?

[file 00871](#)

Question 4

A very common type of amplifier used in electronic circuits is the *voltage buffer*, sometimes called a *voltage follower*. There are two simple forms of this circuit, one using a single transistor and the other using an integrated circuit called an *operational amplifier*:



The voltage gain of each of these devices is unity ($A_V = 1$). My question to you is this: what possible use is an amplifier that doesn't even amplify the voltage of its input signal? If the output voltage is the same magnitude as the input voltage, then is this circuit really amplifying anything at all? A straight piece of wire outputs the same voltage that it receives in!

Explain the practical purpose for these very popular amplifier circuit configurations.

[file 00865](#)

Question 5

An important operational parameter of an amplifier is its *bandwidth*. Describe what "bandwidth" means in the general sense, and give an example of an amplifier application where bandwidth is important.

[file 00866](#)

Question 6

Most of the simple amplifiers you will be initially studying tend to lose gain as the frequency of the amplified signal increases. This loss of gain is sometimes quantified in terms of *rolloff*, usually expressed in units of decibels per octave (dB/octave).

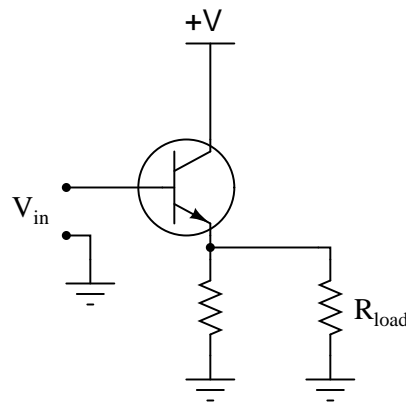
What, exactly, is "rolloff?" What is an "octave," in the context of the units of measurement used to specify rolloff? If we were to plot the response of a typical amplifier in the form of a Bode plot, what type of filter circuit characteristic (band-pass, band-stop, etc.) would it best resemble?

[file 01247](#)

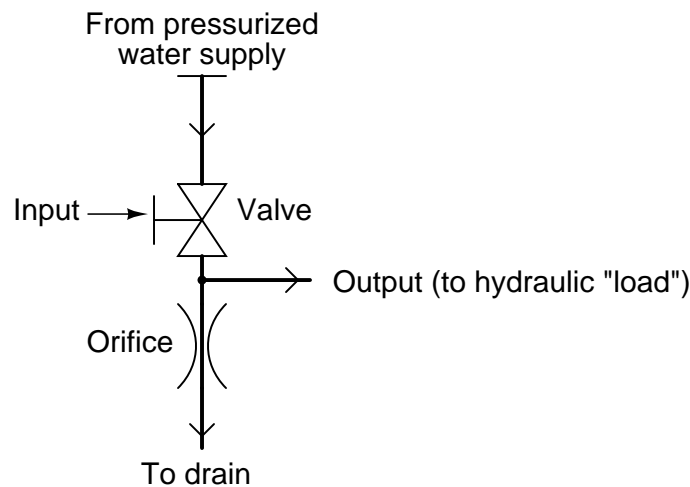
Question 7

A *Class-A* transistor amplifier uses a single transistor to generate an output signal to a load. The amplifier shown here happens to be of the "common collector" topology, one of three configurations common to single-transistor circuits:

Class-A transistor amplifier



An analogue for this electronic circuit is this water-pressure control, consisting of a variable valve passing water through an orifice (a restriction), then on to a drain:



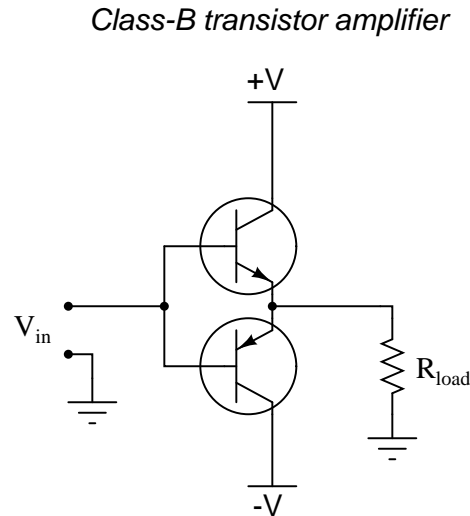
The "input" to this amplifier is the positioning of the valve control handle. The "output" of this amplifier is water pressure measured at the end of the horizontal "output" pipe.

Explain how either of these "circuits" meets the criteria of being an amplifier. In other words, explain how *power* is boosted from input to output in both these systems. Also, describe how efficient each of these amplifiers is, "efficiency" being a measure of how much current (or water) goes to the load device, as compared to how much just goes straight through the controlling element and back to ground (the drain).

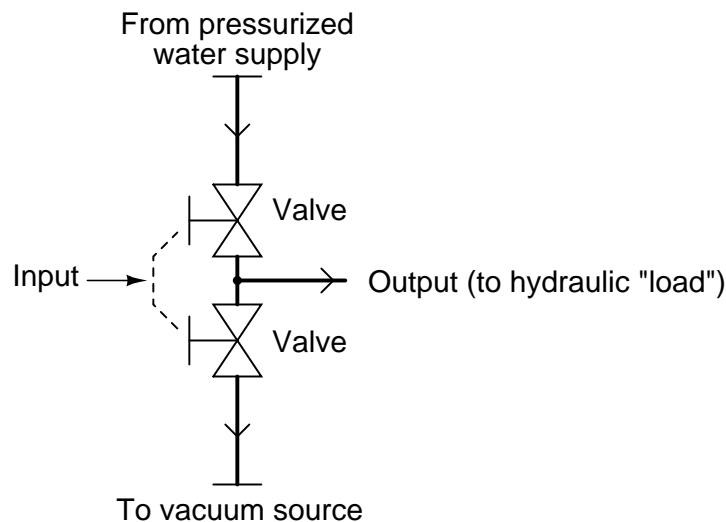
file 00867

Question 8

A *class-B* transistor amplifier (sometimes called a *push-pull amplifier*) uses a pair of transistors to generate an output signal to a load. The circuit shown here has been simplified for the sake of illustrating the basic concept:



An analogue for this electronic circuit is this water-pressure control, consisting of two variable valves. One valve connects the output pipe to a supply of pressurized water, and the other connects the output pipe to a source of vacuum (suction):



The "input" to this amplifier is the positioning of the valve control handle. The "output" of this amplifier is water pressure measured at the end of the horizontal "output" pipe. Valve action is synchronized such that only one valve is open at any given time, just as no more than one transistor will be "on" at any given time in the class-B electronic circuit.

Explain how either of these "circuits" meets the criteria of being an amplifier. In other words, explain how *power* is boosted from input to output in both these systems. Also, describe how efficient each of these amplifiers is, "efficiency" being a measure of how much current (or water) goes to the load device, as compared to how much just goes straight from one supply "rail" to the other (from pressure to vacuum).

Question 9

An amplifier has a voltage gain of 5 and a current gain of 75, both figures being ratios. Calculate the following gains:

- Power gain (as a ratio)
- Power gain (dB)
- Voltage gain (dB)
- Current gain (dB)

Question 10

What is the overall voltage gain of two cascaded amplifiers (the output of the first amplifier going into the input of the second), each with an individual voltage gain of 3 dB? Express the overall voltage gain in decibels, and also as a ratio.

Answers

Answer 1

No physical laws are violated with an amplifier, because the added power comes from an external source: a power supply.

Follow-up question: is a step-up transformer an amplifier? Why or why not?

Answer 2

"Gain" is the degree of "magnification" that an amplifier provides its input signal. Voltage gain may be defined in two different ways:

$$A_{V(dc)} = \frac{V_{out}}{V_{in}}$$
$$A_{V(ac)} = \frac{\Delta V_{out}}{\Delta V_{in}}$$

Answer 3

Transistors are typically much more physically rugged than electron tubes, able to withstand greater levels of vibration and stress. They are also smaller, and more energy efficient in most applications.

Answer 4

While a "voltage buffer" does not amplify the voltage level of a signal, it does amplify the *current* level of a signal.

Answer 5

"Bandwidth" refers to the range of signal frequencies an amplifier can handle within specified bounds of gain, distortion, efficiency, etc.

Answer 6

Most amplifiers' frequency responses resemble that of low-pass filters. "Rolloff" is the term used to denote the steepness of the amplifier's Bode plot as it attenuates the amplified signal at ever-increasing frequencies.

An "octave" denotes a doubling of signal frequency. This unit applies well to logarithmic-scale Bode plots.

Answer 7

In both systems, a small amount of energy (current through the "base" terminal of the transistor, mechanical motion of the valve handle) exerts control over a larger amount of energy (current to the load, water to the load). The systems shown here are rather wasteful, especially at high output voltage (pressure).

Answer 8

In both systems, a small amount of energy (current through the "base" terminal of the transistor, mechanical motion of the valve handle) exerts control over a larger amount of energy (current to the load, water to the load). Both systems are very energy efficient, with little flow wasted by flowing from supply to vacuum (from +V to -V) and bypassing the load.

Answer 9

- Power gain (as a ratio) = 375
- Power gain (dB) = 25.74 dB
- Voltage gain (dB) = 13.98 dB
- Current gain (dB) = 37.50 dB

Answer 10

$A_{V(final)} = 6$ dB, or a ratio of 2.825:1

Notes 1

The amplifiers your students will be studying are electronic devices, but other types of amplifiers exist. Discuss with them some examples of common, non-electronic amplifiers.

Notes 2

As your students should be able to discern through context, the symbol used to represent gain in equations is the capital letter "A". One potential point of confusion is the difference between the two gain equations shown in the answer. Why would we have two different equations saying pretty much the same thing? If this issue comes up in discussion, you can give your students the example of an amplifier with a *DC bias*, where $V_{out} = (4)(V_{in}) + 3$ volts. Here, the (AC) gain is always 4, but the DC gain varies according to how much voltage we apply to the input!

Based on this example, which gain calculation do your students think is the more practical?

Notes 3

Electron tubes used to be the "workhorses" of the electronics world, acting as power control and amplification devices for a wide range of applications. It should be interesting to listen to your students' feedback on this question, being that there is a lot of "tube" information on the internet. *IEEE Spectrum* magazine had a couple of excellent articles on electron tubes and their applications, which I would strongly encourage any interested students to read.

Notes 4

Voltage buffers are almost ubiquitous in modern electronic circuitry, so they cannot be dismissed as useless. Discuss with your students some possible applications of voltage buffers. When would we want to amplify a signal's current without amplifying the voltage? Do your students think there might be any application for this type of circuit in electronic test equipment (voltmeters, especially?).

Notes 5

As your students research the word "bandwidth," they will find this term has application in many areas other than amplifiers. Discuss this term, both in the context of amplifiers and in the context of other applications.

Notes 6

Have one of your students draw a picture of a Bode plot for a (realistic) low-pass filter: that is, a non-ideal low-pass filter response. Review with your students what a log-scale plot looks like, and ask them to relate the ratio-units of "decibel" and "octave" to such a scale.

Notes 7

Wasteful they may be, but "Class-A" transistor circuits find very common use in modern electronics. Explain to your students that its inefficiency restricts its practical use to low-power applications.

Notes 8

Push-pull amplifiers are a bit more difficult to understand than simple class-A (single-ended), so be sure to take whatever time is necessary to discuss this concept with your students. Ask them to trace current through the load resistor for different input voltage conditions. Your students need not know any details of transistor operation, except that a positive input voltage turns on the upper transistor, and a negative input voltage turns on the lower transistor.

Notes 9

Some of your students will probably get the power calculations correct, but be off by a factor of two on the voltage and current gain (dB) calculations. Remind them that a different equation is used to calculate voltage and current gain in dB than is used in power calculations.

Notes 10

Ask your students to convert the figure of 3 dB (voltage gain) into a ratio. How does this ratio compare with the overall ratio for the two cascaded amplifiers? What do the figures indicate about cascaded gains in general, expressed in decibel form as well as ratio form? Ask your students if they think it is mathematically easier to compute cascaded gains in ratio form or decibel, and why.