

Design Project: Audio tone control

This worksheet and all related files are licensed under the Creative Commons Attribution License, version 1.0. To view a copy of this license, visit <http://creativecommons.org/licenses/by/1.0/>, or send a letter to Creative Commons, 559 Nathan Abbott Way, Stanford, California 94305, USA. The terms and conditions of this license allow for free copying, distribution, and/or modification of all licensed works by the general public.

Your project is to research the schematic diagram and component values for an audio tone control circuit (bass and treble controls), then build one in a nice enclosure. There are plenty of resources on the internet for you to research, as well as many good textbooks on audio circuitry for you to read. If you are a musician, you may want to consider building a tone control for your electric instrument (electric guitar, electric violin or viola, etc.). If you like to listen to portable music devices, you may want to consider building a stereo tone control (using double-ganged potentiometers so both channels have the same tone) for your portable music player.

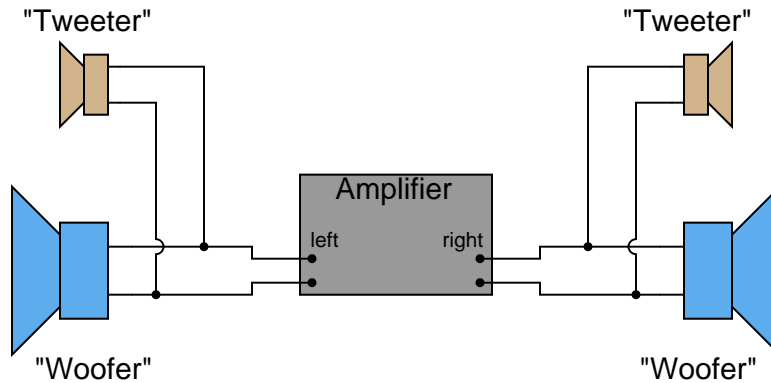
Deadlines (set by instructor):

- Project design completed:
- Components purchased:
- Working prototype:
- Finished system:
- Full documentation:

Questions

Question 1

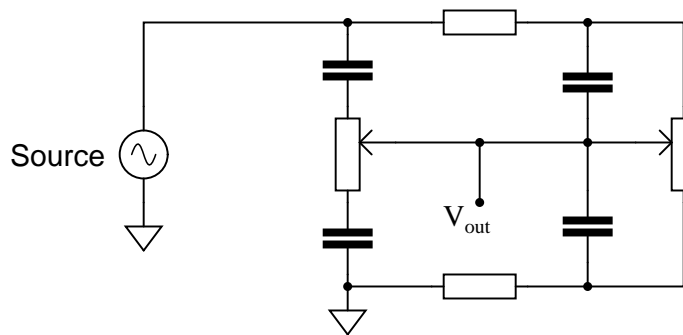
Suppose you were installing a high-power stereo system in your car, and you wanted to build a simple filter for the "tweeter" (high-frequency) speakers so that no bass (low-frequency) power is wasted in these speakers. Modify the schematic diagram below with a filter circuit of your choice:



Hint: this only requires a single component per tweeter!
[file 00613](#)

Question 2

Examine the following schematic diagram for an audio tone control circuit:



Determine which potentiometer controls the bass (low frequency) tones and which controls the treble (high frequency) tones, and explain how you made those determinations.
[file 03506](#)

Competency: Tone balance control circuit	Version:																																																			
Schematic																																																				
Given conditions																																																				
$L_1 =$	$C_1 =$	$R_{pot1} = R_{pot2} =$																																																		
$R_1 = R_2 =$		$Z_{headphones} =$																																																		
(Use audio source for signal, voltage adjusted for ample volume)																																																				
Parameters																																																				
	Predicted	Measured																																																		
Bass control																																																				
Treble control																																																				
(Identify which pot is which)																																																				
Frequency response (maximum bass, minimum treble)		Frequency response (minimum bass, maximum treble)																																																		
V_{out}	<table border="1" style="width: 100%; height: 100%; border-collapse: collapse;"> <tr><td style="width: 20px; height: 20px;"></td><td style="width: 20px; height: 20px;"></td><td style="width: 20px; height: 20px;"></td><td style="width: 20px; height: 20px;"></td><td style="width: 20px; height: 20px;"></td><td style="width: 20px; height: 20px;"></td><td style="width: 20px; height: 20px;"></td><td style="width: 20px; height: 20px;"></td><td style="width: 20px; height: 20px;"></td><td style="width: 20px; height: 20px;"></td></tr> <tr><td style="width: 20px; height: 20px;"></td><td style="width: 20px; height: 20px;"></td><td style="width: 20px; height: 20px;"></td><td style="width: 20px; height: 20px;"></td><td style="width: 20px; height: 20px;"></td><td style="width: 20px; height: 20px;"></td><td style="width: 20px; height: 20px;"></td><td style="width: 20px; height: 20px;"></td><td style="width: 20px; height: 20px;"></td><td style="width: 20px; height: 20px;"></td></tr> <tr><td style="width: 20px; height: 20px;"></td><td style="width: 20px; height: 20px;"></td><td style="width: 20px; height: 20px;"></td><td style="width: 20px; height: 20px;"></td><td style="width: 20px; height: 20px;"></td><td style="width: 20px; height: 20px;"></td><td style="width: 20px; height: 20px;"></td><td style="width: 20px; height: 20px;"></td><td style="width: 20px; height: 20px;"></td><td style="width: 20px; height: 20px;"></td></tr> <tr><td style="width: 20px; height: 20px;"></td><td style="width: 20px; height: 20px;"></td><td style="width: 20px; height: 20px;"></td><td style="width: 20px; height: 20px;"></td><td style="width: 20px; height: 20px;"></td><td style="width: 20px; height: 20px;"></td><td style="width: 20px; height: 20px;"></td><td style="width: 20px; height: 20px;"></td><td style="width: 20px; height: 20px;"></td><td style="width: 20px; height: 20px;"></td></tr> <tr><td style="width: 20px; height: 20px;"></td><td style="width: 20px; height: 20px;"></td><td style="width: 20px; height: 20px;"></td><td style="width: 20px; height: 20px;"></td><td style="width: 20px; height: 20px;"></td><td style="width: 20px; height: 20px;"></td><td style="width: 20px; height: 20px;"></td><td style="width: 20px; height: 20px;"></td><td style="width: 20px; height: 20px;"></td><td style="width: 20px; height: 20px;"></td></tr> </table>																																																			V_{out}
f		f																																																		

Note: when testing the frequency response of the tone control circuit, you may need to replace the headphones with a non-inductive resistor of equivalent impedance, and measure V_{out} across it.

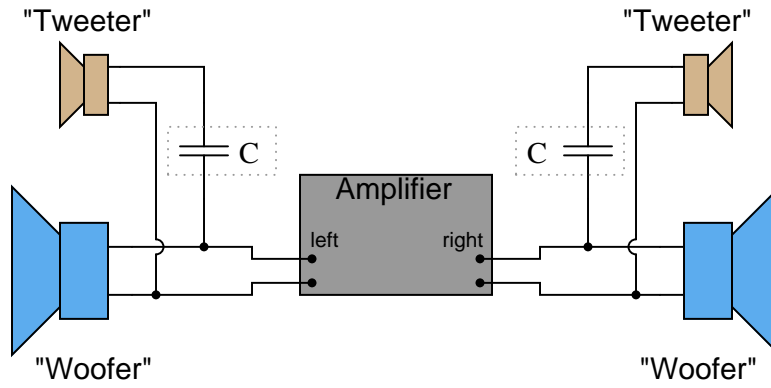
[file 02022](#)

Competency: Tone balance control circuit		Version:																																																																																
Schematic																																																																																		
Given conditions																																																																																		
$L_1 =$	$C_1 =$	$R_{pot1} = R_{pot2} =$																																																																																
$R_1 = R_2 =$	$Z_{speaker} =$	$T_1 =$																																																																																
(Use audio source for signal, voltage adjusted for ample volume)																																																																																		
Parameters																																																																																		
	Predicted	Measured																																																																																
Bass control	<input style="width: 80px; height: 30px;" type="text"/>	<input style="width: 80px; height: 30px;" type="text"/>																																																																																
Treble control	<input style="width: 80px; height: 30px;" type="text"/>	<input style="width: 80px; height: 30px;" type="text"/>																																																																																
(Identify which pot is which)																																																																																		
Frequency response (maximum bass, minimum treble)		Frequency response (minimum bass, maximum treble)																																																																																
V_{out}	<table border="1" style="width: 100%; height: 100%; border-collapse: collapse;"> <tr><td> </td><td> </td><td> </td><td> </td><td> </td><td> </td><td> </td><td> </td></tr> <tr><td> </td><td> </td><td> </td><td> </td><td> </td><td> </td><td> </td><td> </td></tr> <tr><td> </td><td> </td><td> </td><td> </td><td> </td><td> </td><td> </td><td> </td></tr> <tr><td> </td><td> </td><td> </td><td> </td><td> </td><td> </td><td> </td><td> </td></tr> <tr><td> </td><td> </td><td> </td><td> </td><td> </td><td> </td><td> </td><td> </td></tr> </table>																																									<table border="1" style="width: 100%; height: 100%; border-collapse: collapse;"> <tr><td> </td><td> </td><td> </td><td> </td><td> </td><td> </td><td> </td><td> </td></tr> <tr><td> </td><td> </td><td> </td><td> </td><td> </td><td> </td><td> </td><td> </td></tr> <tr><td> </td><td> </td><td> </td><td> </td><td> </td><td> </td><td> </td><td> </td></tr> <tr><td> </td><td> </td><td> </td><td> </td><td> </td><td> </td><td> </td><td> </td></tr> <tr><td> </td><td> </td><td> </td><td> </td><td> </td><td> </td><td> </td><td> </td></tr> </table>																																								
	f	f																																																																																

Note: when testing the frequency response of the tone control circuit, you may need to replace the transformer/speaker assembly with a non-inductive resistor of equivalent impedance, and measure V_{out} across it.

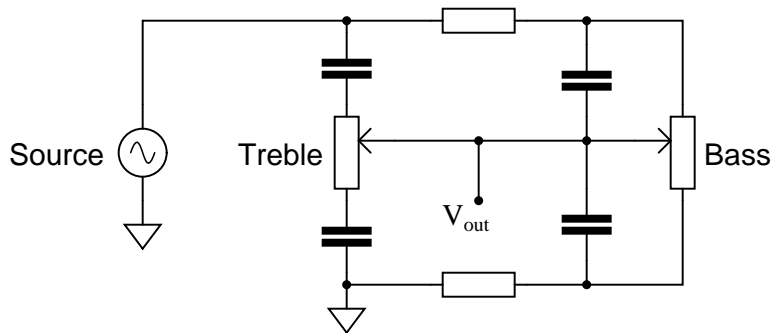
file 02023

Answer 1



Follow-up question: what type of capacitor would you recommend using in this application (electrolytic, mylar, ceramic, etc.)? Why?

Answer 2



Answer 3

Use circuit simulation software to verify your predicted and measured parameter values.

Answer 4

Use circuit simulation software to verify your predicted and measured parameter values.

Notes 1

Ask your students to describe what type of filter circuit a series-connected capacitor forms: low-pass, high-pass, band-pass, or band-stop? Discuss how the name of this filter should describe its intended function in the sound system.

Regarding the follow-up question, it is important for students to recognize the practical limitations of certain capacitor types. One thing is for sure, ordinary (polarized) electrolytic capacitors will not function properly in an application like this!

Notes 2

The most important answer to this question is *how* your students arrived at the correct potentiometer identifications. If none of your students were able to figure out how to identify the potentiometers, give them this tip: use the *superposition theorem* to analyze the response of this circuit to both low-frequency signals and high-frequency signals. Assume that for bass tones the capacitors are opaque ($Z = \infty$) and that for treble tones they are transparent ($Z = 0$). The answers should be clear if they follow this technique.

This general problem-solving technique – analyzing two or more “extreme” scenarios to compare the results – is an important one for your students to become familiar with. It is extremely helpful in the analysis of filter circuits!

Notes 3

A good source of audio signal is the headphone output jack of almost any radio, media player, or other portable audio device. Students like being able to do a lab exercise that directly relates to technology they’re already familiar with.

The higher-impedance the headphones are, the better this circuit works, since the combination of potentiometers and mixing resistors tends to result in a relatively high output impedance. I have used cheap headphones (32 ohm) with some success, given the following component values:

- $C_1 = 0.1 \mu\text{F}$
- $L_1 = 200 \text{ mH}$ (actually two 100 mH inductors in series)
- $R_1 = R_2 = 1 \text{ k}\Omega$
- $R_{pot1} = R_{pot2} = 10 \text{ k}\Omega$

Some students with limited hearing range have difficulty detecting the changes in tone using 10 k Ω potentiometers. You may wish to use 100 k Ω potentiometers instead for added attenuation. Operating such a circuit is akin to operating a water faucet with “hot” and “cold” water valves: the two settings together determine temperature *and* flow (tone and volume, respectively, for the metaphorically challenged).

An extension of this exercise is to incorporate troubleshooting questions. Whether using this exercise as a performance assessment or simply as a concept-building lab, you might want to follow up your students’ results by asking them to predict the consequences of certain circuit faults.

If you plan to use this exercise as a troubleshooting assessment, I recommend *against* inducing the following component failures, as they are difficult to detect when the signal source is music rather than a constant tone of known frequency and amplitude:

- Shorted capacitor (C_1)
- Shorted inductor (L_1)
- Shorted fixed-value resistors (R_1 or R_2)

A good source of audio signal is the headphone output jack of almost any radio, media player, or other portable audio device. Students like being able to do a lab exercise that directly relates to technology they're already familiar with.

I have experienced good success with the following component values:

- $C_1 = 0.1 \mu\text{F}$
- $L_1 = 200 \text{ mH}$ (actually two 100 mH inductors in series)
- $R_1 = R_2 = 1 \text{ k}\Omega$
- $T_1 = 1000:8$ ohm audio output transformer
- $R_{pot} = R_{pot2} = 10 \text{ k}\Omega$
- Speaker = small 8Ω unit (salvaged from an old clock radio or other inexpensive audio device)

An extension of this exercise is to incorporate troubleshooting questions. Whether using this exercise as a performance assessment or simply as a concept-building lab, you might want to follow up your students' results by asking them to predict the consequences of certain circuit faults.