

Servo motor systems

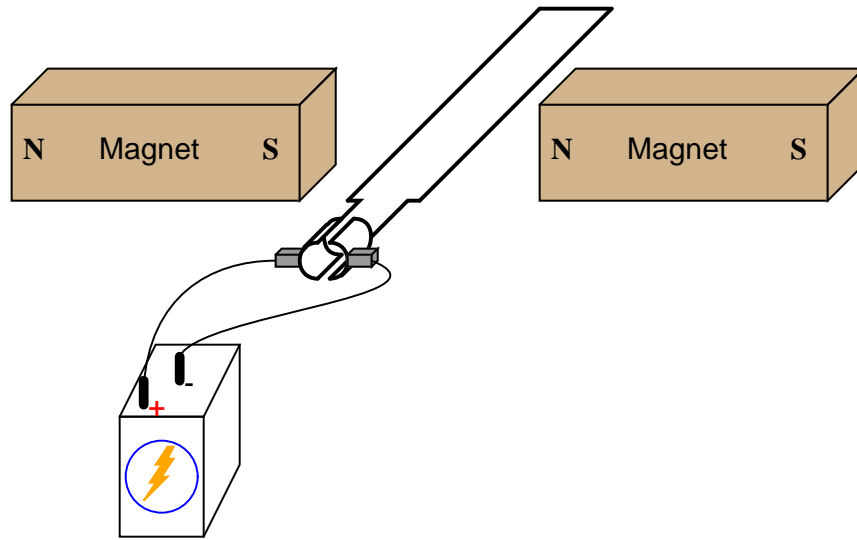
This worksheet and all related files are licensed under the Creative Commons Attribution License, version 1.0. To view a copy of this license, visit <http://creativecommons.org/licenses/by/1.0/>, or send a letter to Creative Commons, 559 Nathan Abbott Way, Stanford, California 94305, USA. The terms and conditions of this license allow for free copying, distribution, and/or modification of all licensed works by the general public.

Resources and methods for learning about these subjects (list a few here, in preparation for your research):

Questions

Question 1

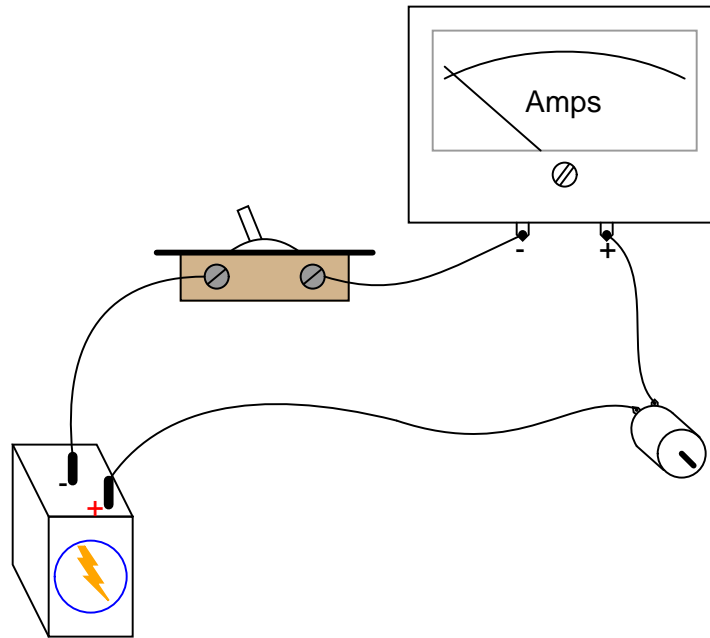
If the ends of a wire loop are attached to two half-circular metal strips, arranged so that the two strips almost form a complete circle, and those strips are contacted by two "brushes" which connect to opposite poles of a battery, which way will the wire loop rotate?



file 00384

Question 2

When the switch closes, the ammeter will initially register a large amount of current, then the current will decay to a much lesser value over time as the motor speeds up:



In view of Ohm's Law, where current is supposed to be a direct function of voltage and resistance ($I = \frac{E}{R}$), explain why this happens. After all, the motor's winding resistance does not change as it spins, and the battery voltage is fairly constant. Why, then, does the current vary so greatly between initial start-up and full operating speed?

What do you think the ammeter will register after the motor has achieved full (no-load) speed, if a mechanical load is placed on the motor shaft, forcing it to slow down?

[file 00395](#)

Question 3

A DC electric motor spinning at 4500 RPM draws 3 amps of current with 110 volts measured at its terminals. The resistance of the armature windings, measured with an ohmmeter when the motor is at rest, unpowered, is 2.45 ohms. How much counter-EMF is the motor generating at 4500 RPM?

How much "inrush" current will there be when the motor is initially powered up (armature speed = 0 RPM), once again assuming 110 volts at the terminals?

[file 00398](#)

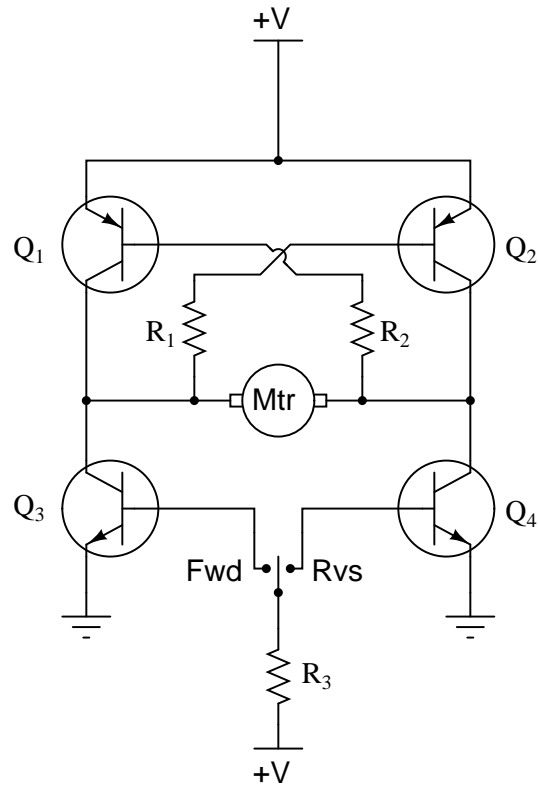
Question 4

Explain what a *servo* motor system is, in your own words.

[file 03993](#)

Question 5

Explain the operation of this "H-bridge" motor control circuit:

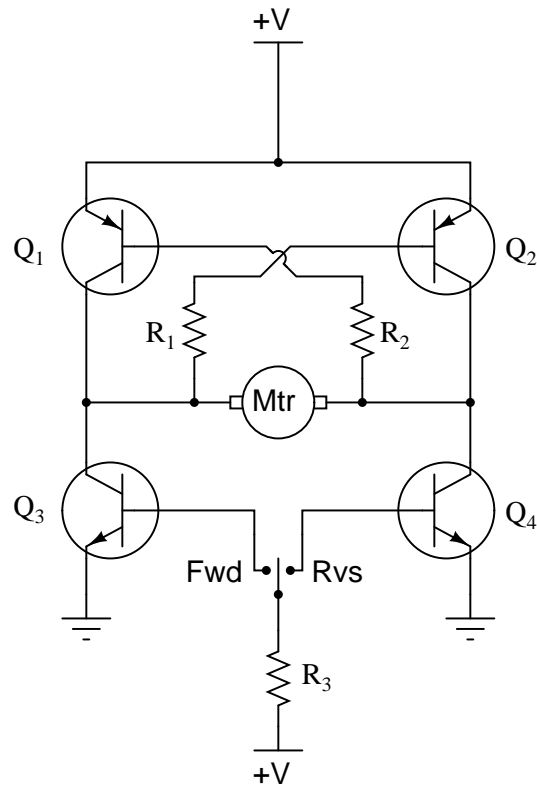


At any given moment, how many transistors are turned on and how many are turned off? Also, explain what would happen to the function of the circuit if resistor R1 failed open.

file 00449

Question 6

Predict how the motor function in this circuit will be affected as a result of the following faults. Consider each fault independently (i.e. one at a time, no multiple faults):

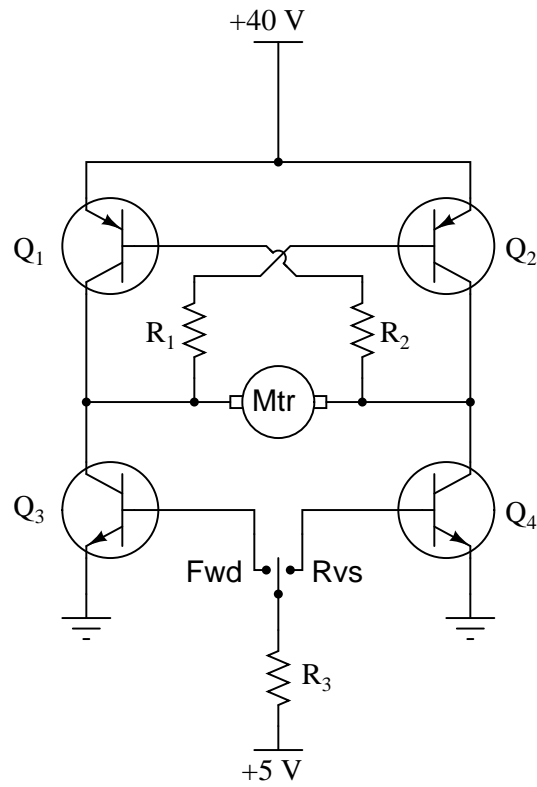


- Transistor Q_1 fails open (collector-to-emitter):
- Transistor Q_2 fails open (collector-to-emitter):
- Transistor Q_3 fails open (collector-to-emitter):
- Transistor Q_4 fails open (collector-to-emitter):
- Resistor R_1 fails open:
- Resistor R_2 fails open:
- Resistor R_3 fails open:
- Transistor Q_3 fails shorted (collector-to-emitter):
- Transistor Q_4 fails shorted (collector-to-emitter):

For each of these conditions, explain *why* the resulting effects will occur.
[file 03714](#)

Question 7

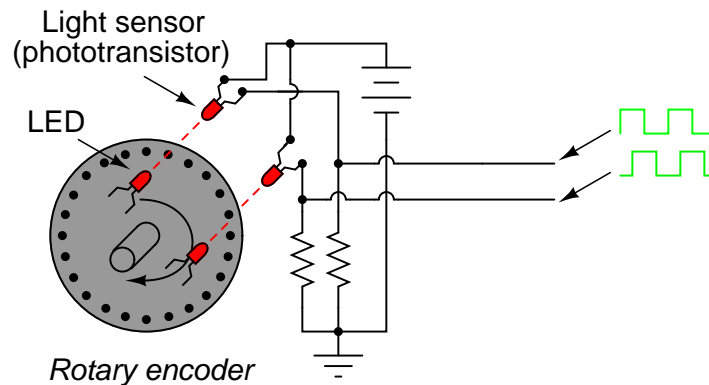
Determine all component voltage drops in this circuit when the motor is operating in the reverse direction. Be sure to explain how you performed all the analyses! Assume 0.7 volts as the standard forward voltage drop for a forward-biased PN junction, and 0.3 volts as the standard collector-to-emitter voltage drop for a saturated BJT.



file 04033

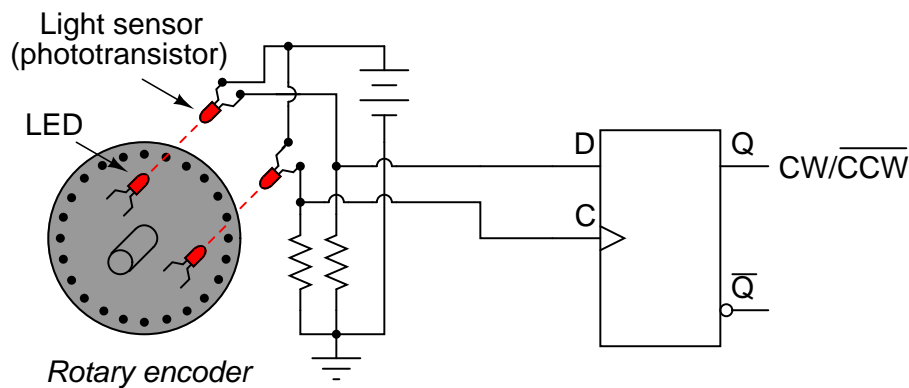
Question 8

A common type of rotary encoder is one built to produce a *quadrature* output:



The two LED/phototransistor pairs are arranged in such a way that their pulse outputs are always 90° out of phase with each other. Quadrature output encoders are useful because they allow us to determine direction of motion as well as incremental position.

Building a quadrature direction detector circuit is easy, if you use a D-type flip-flop:



Analyze this circuit, and explain how it works.

[file 01384](#)

Question 9

Radio-controlled toy cars, airplanes, and boats use small servo motors for positioning of the steering mechanisms, engine throttle position, and such. These servos have the motor, position sensor, and control electronics housed in the same plastic package, making them very compact.

Research the type(s) of control signals used to command these servo units. In other words, find out what sort of electronic signal they require to "command" them to go to certain positions. Then, suggest a circuit that could generate these signals.

[file 03994](#)

Answers

Answer 1

Clockwise, continuously.

Answer 2

Motor current is inversely proportional to speed, due to the counter-EMF produced by the armature as it rotates.

Follow-up question: draw a schematic diagram showing the equivalent circuit of battery, switch, ammeter, and motor, with the counter-EMF of the motor represented as another battery symbol. Which way must the counter-EMF voltage face, *opposed* to the battery voltage, or *aiding* the battery voltage?

Answer 3

$$E_{counter} = 102.65 \text{ V @ 4500 RPM}$$
$$I_{inrush} = 44.9 \text{ A}$$

Answer 4

A servo motor is one whose position is controlled by a negative feedback system. I know, this definition is very minimal, but then I want you to express the answer *in your own words!*

Answer 5

Two transistors are on at any given time, and the other two are off. If R1 fails open, the motor will not be able to go in the "forward" (Fwd) direction.

Challenge question: what type of DC motor is this drive circuit designed for? Shunt-wound, series-wound, compound, or permanent magnet? Explain your answer.

Answer 6

- Transistor Q_1 fails open (collector-to-emitter): *Motor fails to turn in "reverse" direction, can still turn in "forward" direction.*
- Transistor Q_2 fails open (collector-to-emitter): *Motor fails to turn in "forward" direction, can still turn in "reverse" direction.*
- Transistor Q_3 fails open (collector-to-emitter): *Motor fails to turn in "forward" direction, can still turn in "reverse" direction.*
- Transistor Q_4 fails open (collector-to-emitter): *Motor fails to turn in "reverse" direction, can still turn in "forward" direction.*
- Resistor R_1 fails open: *Motor fails to turn in "forward" direction, can still turn in "reverse" direction.*
- Resistor R_2 fails open: *Motor fails to turn in "reverse" direction, can still turn in "forward" direction.*
- Resistor R_3 fails open: *Motor cannot turn in either direction.*
- Transistor Q_3 fails shorted (collector-to-emitter): *Motor turns in "forward" direction even when the switch is in the center (off) position.*
- Transistor Q_4 fails shorted (collector-to-emitter): *Motor turns in "reverse" direction even when the switch is in the center (off) position.*

Answer 7

I'll give you a hint: use *Kirchhoff's Voltage Law*.

Challenge question: what type of DC motor must this be, to be reversed in rotational direction by a reversal of polarity?

Answer 8

The operation of this circuit is quite easy to understand if you draw a pulse diagram for it and analyze the flip-flop's output over time. When the encoder disk spins clockwise, the Q output goes high; when counterclockwise, the Q goes low.

Follow-up question: comment on the notation used for this circuit's output. What does the label " CW/\overline{CCW} " tell you, without having to analyze the circuit at all?

Answer 9

I will not give an answer here, not just because I want you to do all the research and thinking for yourself, but also because RC servo technology may have changed changed since I wrote this question!

Notes

Notes 1

Challenge your students with this question: is there any way we can get the wire loop to continuously rotate without using those half-circle metal strips to make and break contact with the battery? Ask your students what the two half-circle metal strips are called, in electric motor/generator terminology.

Notes 2

The so-called "inrush" current of an electric motor during startup can be quite substantial, upwards of ten times the normal full-load current!

Notes 3

This calculation helps students realize just how significant the "inrush" current of an electric motor is.

Notes 4

Servos come in many different types and sizes, but they all share similar characteristics. Your students should have no problem at all finding information on them.

Notes 5

The "H-drive" circuit is a very common method of reversing polarity to a DC motor (or other polarity-sensitive load), using only a single-pole switch. Very, very large electric motor "drives" have been based on this same design.

Notes 6

The purpose of this question is to approach the domain of circuit troubleshooting from a perspective of knowing what the fault is, rather than only knowing what the symptoms are. Although this is not necessarily a realistic perspective, it helps students build the foundational knowledge necessary to diagnose a faulted circuit from empirical data. Questions such as this should be followed (eventually) by other questions asking students to identify likely faults based on measurements.

Notes 7

The primary purpose of this question is to give students more practice using Kirchhoff's Voltage Law. Be sure to work through the analysis of *all* component voltage drops.

Notes 8

Quadrature direction-detection circuits such as this become important when encoders are linked to digital counter circuits. The complemented notation is also very common in counter circuits.

Students may show a reluctance to draw a timing diagram when they approach this problem, even when they realize the utility of such a diagram. Instead, many will try to figure the circuit out just by looking at it. Note the emphasis on the word "try." This circuit is much more difficult to figure out without a timing diagram! Withhold your explanation of this circuit until each student shows you a timing diagram for it. Emphasize the fact that this step, although it consumes a bit of time, is actually a time-saver in the end.

Notes 9

The availability of inexpensive RC servos makes them ideal for use in lab experiments and student projects. It is well worth your students' time (and yours!) to find out how these amazing little devices are controlled!