

## Specific resistance of conductors

This worksheet and all related files are licensed under the Creative Commons Attribution License, version 1.0. To view a copy of this license, visit <http://creativecommons.org/licenses/by/1.0/>, or send a letter to Creative Commons, 559 Nathan Abbott Way, Stanford, California 94305, USA. The terms and conditions of this license allow for free copying, distribution, and/or modification of all licensed works by the general public.

---

Resources and methods for learning about these subjects (list a few here, in preparation for your research):

## Questions

---

### Question 1

Given two lengths of metal wire, which one will have the least electrical resistance: one that is short, or one that is long? Assume all other factors are equal (same metal type, same wire diameter, etc.).

[file 00157](#)

---

### Question 2

Given two lengths of solid metal wire with round cross-sections, which one will have the least electrical resistance: one that is small-diameter, or one that is large-diameter? Assume all other factors are equal (same metal type, same wire length, etc.).

[file 00158](#)

---

### Question 3

What is *specific resistance*, symbolized by the Greek letter "rho" ( $\rho$ )?

[file 00156](#)

---

### Question 4

Write a single equation relating the resistance, specific resistance, length, and cross-sectional area of an electrical conductor together.

[file 00159](#)

---

### Question 5

Examine the following specific resistance table for various metals:

Metal type	$\rho$ in $\Omega \cdot \text{cmil} / \text{ft}$ @ 32°F	$\rho$ in $\Omega \cdot \text{cmil} / \text{ft}$ @ 75°F
Zinc (very pure)	34.595	37.957
Tin (pure)	78.489	86.748
Copper (pure annealed)	9.390	10.351
Copper (hard-drawn)	9.810	10.745
Copper (annealed)	9.590	10.505
Platinum (pure)	65.670	71.418
Silver (pure annealed)	8.831	9.674
Nickel	74.128	85.138
Steel (wire)	81.179	90.150
Iron (approx. pure)	54.529	62.643
Gold (99.9 % pure)	13.216	14.404
Aluminum (99.5 % pure)	15.219	16.758

Of the metals shown, which is the best conductor of electricity? Which is the worst? What do you notice about the resistivity of these metals as temperature is increased from 32°F to 75 °F?

[file 03386](#)

---

### Question 6

What is the electrical resistance of a 12-gauge copper wire, 500 feet long, at room temperature?

[file 00165](#)

---

Question 7

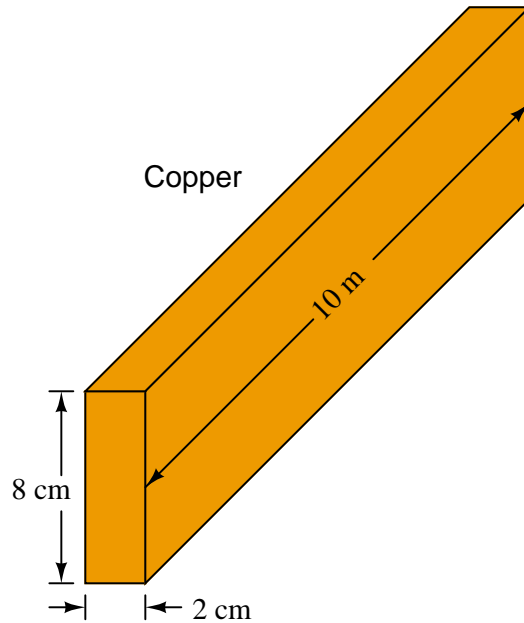
A spool holds an unknown length of aluminum wire. The size of the wire is 4 AWG. Fortunately, both ends of the wire are available for contact with an ohmmeter, to measure the resistance of the entire spool. When measured, the wire's total resistance is  $0.135 \Omega$ . How much wire is on the spool (assuming the spool is at room temperature)?

[file 00485](#)

---

Question 8

The cross-sectional dimensions of a copper "busbar" measure 8 cm by 2.5 cm. How much resistance would this busbar have, measured end-to-end, if its length is 10 meters? Assume a temperature of  $20^\circ$  Celsius.



[file 00486](#)

---

Question 9

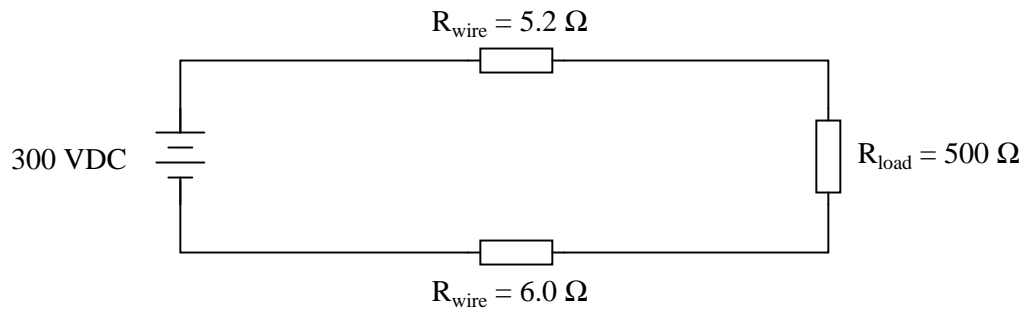
Calculate the end-to-end resistance of a 20 meter length of copper wire with a diameter of 0.05 cm. Use  $1.678 \times 10^{-6} \Omega \cdot \text{cm}$  for the specific resistance of copper.

[file 01483](#)

---

Question 10

Calculate the amount of power delivered to the load resistor in this circuit:

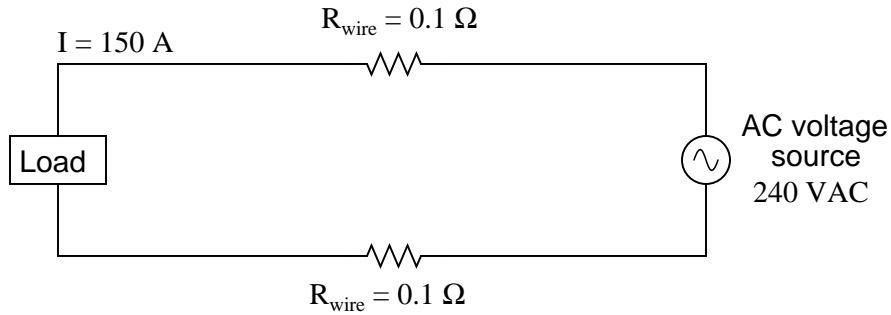


Also, calculate the amount of power that would be delivered to the load resistor if the wires were superconducting ( $R_{\text{wire}} = 0.0 \Omega$ ).

file 01724

Question 11

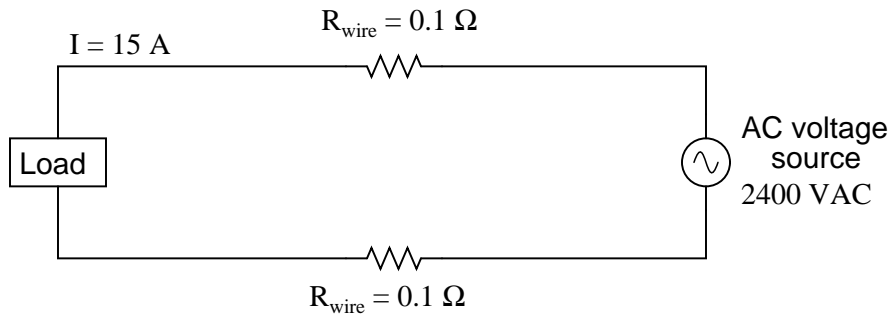
Suppose a power system were delivering AC power to a resistive load drawing 150 amps:



Calculate the load voltage, load power dissipation, the power dissipated by the wire resistance ( $R_{wire}$ ), and the overall power efficiency, indicated by the Greek letter "eta" ( $\eta = \frac{P_{load}}{P_{source}}$ ).

$E_{load} =$   
 $P_{load} =$   
 $P_{lines} =$   
 $\eta =$

Now, suppose we were to re-design both the generator and the load to operate at 2400 volts instead of 240 volts. This ten-fold increase in voltage allows just one-tenth the current to convey the same amount of power. Rather than replace all the wire with different wire, we decide to use the exact same wire as before, having the exact same resistance ( $0.1 \Omega$  per length) as before. Re-calculate load voltage, load power, wasted power, and overall efficiency of this (higher voltage) system:



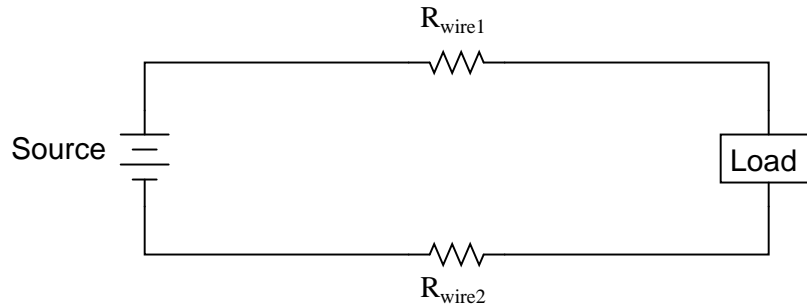
$E_{load} =$   
 $P_{load} =$   
 $P_{lines} =$   
 $\eta =$

file 01723

---

Question 12

The efficiency ( $\eta$ ) of a simple power system with losses occurring over the wires is a function of circuit current, wire resistance, and total source power:



A simple formula for calculating efficiency is given here:

$$\eta = \frac{P_{source} - I^2 R}{P_{source}}$$

Where,

$P_{source}$  = the power output by the voltage source, in watts (W)

$I$  = the circuit current, in amperes (A)

$R$  = the total wire resistance ( $R_{wire1} + R_{wire2}$ ), in ohms ( $\Omega$ )

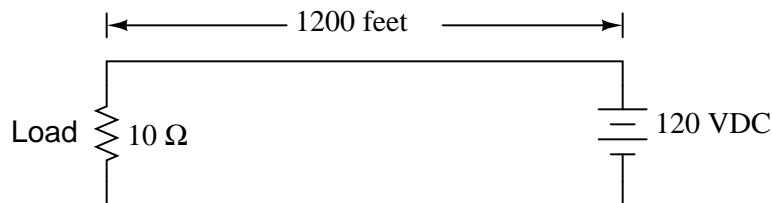
Algebraically manipulate this equation to solve for wire resistance ( $R$ ) in terms of all the other variables, and then calculate the maximum amount of allowable wire resistance for a power system where a source outputting 200 kW operates at a circuit current of 48 amps, at a minimum efficiency of 90%.

[file 03255](#)

---

Question 13

What size (gauge) of copper wire is needed in this circuit to ensure the load receives at least 110 volts?



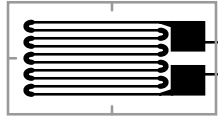
[file 00166](#)

---

Question 14

A *strain gauge* is a type of sensing device widely used in the aerospace industry, for testing of vehicles and mechanical components. Explain what a strain gauge does, and how it functions.

## Strain gauge



file 00484

---

Question 15

How does the *conductance* ( $G$ ) of a conductor relate to its length? In other words, the longer the conductor, the (fill-in-the-blank) its conductance is, all other factors being equal.

file 00487

## Answers

---

Answer 1

The short wire will have less electrical resistance than the long wire.

---

Answer 2

The large-diameter wire will have less electrical resistance than the small-diameter wire.

---

Answer 3

Specific resistance is a measure of how resistive any particular substance is, relative to its length and cross-sectional area.

---

Answer 4

$$R = \rho \frac{l}{A}$$

Where,

$R$  = Resistance, measured along the conductor's length

$\rho$  = Specific resistance of the substance

$l$  = Length of the conductor

$A$  = Cross-sectional area of the conductor

Follow-up question: algebraically manipulate this equation to solve for length ( $l$ ) instead of solving for resistance ( $R$ ) as shown.

---

Answer 5

Here is the same table, the order re-arranged to show resistivity from least to greatest:

Metal type	$\rho$ in $\Omega \cdot \text{cmil} / \text{ft} @ 32^\circ\text{F}$	$\rho$ in $\Omega \cdot \text{cmil} / \text{ft} @ 75^\circ\text{F}$
Silver (pure annealed)	8.831	9.674
Copper (pure annealed)	9.390	10.351
Copper (annealed)	9.590	10.505
Copper (hard-drawn)	9.810	10.745
Gold (99.9 % pure)	13.216	14.404
Aluminum (99.5 % pure)	15.219	16.758
Zinc (very pure)	34.595	37.957
Iron (approx. pure)	54.529	62.643
Platinum (pure)	65.670	71.418
Nickel	74.128	85.138
Tin (pure)	78.489	86.748
Steel (wire)	81.179	90.150

---

Answer 6

Wire resistance =  $0.7726 \Omega$

---

Answer 7

353.51 feet

---

Answer 8

$83.9 \mu\Omega$

---



---

Answer 9

1.709  $\Omega$

---

Answer 10

$P_{load} \approx 170$  Watts (with resistive wire)

$P_{load} = 180$  Watts (with superconducting wire)

Follow-up question: Compare the direction of current through all components in this circuit with the polarities of their respective voltage drops. What do you notice about the relationship between current direction and voltage polarity for the battery, versus for all the resistors? How does this relate to the identification of these components as either *sources* or *loads*?

---

Answer 11

240 volt system:

$E_{load} = 210$  volts

$P_{load} = 31.5$  kW

$P_{lines} = 4.5$  kW

$\eta = 87.5\%$

2400 volt system:

$E_{load} = 2397$  volts

$P_{load} = 35.96$  kW

$P_{lines} = 45$  W

$\eta = 99.88\%$

---

Answer 12

$$R = \frac{P_{source} - \eta P_{source}}{I^2}$$

The maximum allowable (total) wire resistance is 8.681  $\Omega$ .

---

Answer 13

#6 gauge copper wire comes close, but is not quite large enough. #5 gauge or larger will suffice.

---

Answer 14

A strain gauge converts micro-mechanical motions ("strain") into electrical resistance changes. Typically, strain gauges are used to measure the stretching, compressing, and twisting of metal components under stress.

---

Answer 15

Conductance decreases as length increases, all other factors being equal.

Follow-up question: how does "conductance" (G) mathematically relate to resistance (R), and what is the unit of measurement for conductance?

## Notes

---

### Notes 1

Many analogies exist to express this concept: water through a pipe, compressed air through a hose, etc. Which pipe or hose is less restrictive: the short one or the long one?

---

### Notes 2

Many analogies exist to express this concept: water through a pipe, compressed air through a hose, etc. Which pipe or hose is less restrictive: the skinny one or the fat one?

---

### Notes 3

Ask your students, "Why is it important to have a quantity called *specific* resistance? Why don't we just compare the "resistivity" of different substances in regular units of ohms?"

---

### Notes 4

A beneficial exercise to do with your students is to analyze this equation (and in fact, any equation) *qualitatively* instead of just *quantitatively*. Ask students what will happen to  $R$  if  $\rho$  increases, or if  $l$  decreases, or if  $A$  decreases. Many students find this a more challenging problem than working with real numbers, because they cannot use their calculators to give them qualitative answers (unless they enter random numbers into the equation, then change one of those numbers and re-calculate – but that is twice the work of solving the equation with one set of numbers, once!).

---

### Notes 5

The data for this table was taken from table 1-97 of the *American Electrician's Handbook* (eleventh edition) by Terrell Croft and Wilford Summers.

It may come as a surprise to some students to find that gold is actually a worse conductor of electricity than copper, but the data doesn't lie! *Silver* is actually the best, but gold is chosen for a lot of microelectronic applications because of its resistance to oxidation.

---

### Notes 6

Ask your students to share their sources for data: values of  $\rho$ , cross-sectional area, etc.

---

### Notes 7

This question illustrates another practical application of specific resistance calculations: how to determine the length of wire on a spool. The amount of resistance in this example is quite low, being a mere fraction of an ohm. Ask your students what kinds of problems they might encounter trying to measure such a low resistance with accuracy. Would the typical errors incurred in such a low-resistance measurement tend to make their calculation of length be excessive, or too low? Why?

---

### Notes 8

This question is a good review of the metric system, relating centimeters to meters, and such. It may also be a good review of unit conversions, if students choose to do their resistance calculations using English units (cmils, or square inches) rather than metric.

Students may be surprised at the low resistance figure, but remind them that they are dealing with a solid bar of copper, over 3 square inches in cross-sectional area. *This is one big conductor!*

---

### Notes 9

Nothing to comment on here – just a straight-forward calculation of resistance. Students need to be careful of the *centimeter* dimension, though!

---

---

Notes 10

Not only is this question good practice for series circuit calculations (Ohm's and Joule's Laws), but it also introduces superconductors in a practical context.

---

Notes 11

An example like this usually does a good job clarifying the benefits of using high voltage over low voltage for transmission of large amounts of electrical power over substantial distances.

---

Notes 12

A common mistake for students to make here is entering 90% as "90" rather than as "0.9" in their calculators.

---

Notes 13

Several steps are necessary to solve this problem: Ohm's Law, algebraic manipulation of the specific resistance equation, and research into wire sizes. Be sure to spend adequate time discussing this problem with your students!

The concept of a generic "load" is any component or device that dissipates electrical power in a circuit. Often, generic loads are symbolized by a resistor symbol (a zig-zag line), even though they might not really be a resistor.

---

Notes 14

Ask your students to relate their answers to the illustration shown in the question. How does that strange-looking device actually measure strain? How does its resistance change, and why?

---

Notes 15

There are two units of measurement for conductance: the old unit (which makes perfect sense, even though your students may laugh at it, at first), and the new unit (named after a famous electrical researcher). Make sure your students are familiar with both.