

Next Meeting:
January 18, 2005 7:30 PM
The Woodworking Shop
3141 Capital Blvd

Chip Carving Presented by Leon Harkins

Leon Harkins, a TWA member and gifted carver, will compare chip carving vs. carving in the round vs. relief carving. He will cover the tools and techniques used in chip carving, discuss design considerations and show some examples of his handwork. Hosted by: Rick McQuay

Introduction to Carving Workshop

Leon will discuss tools, sharpening and demonstrate basic carving. Students will have the opportunity to practice and then complete one carving project. Workshop to be held at the Woodworking Shop on the following dates:

February 26th 9:00 AM-4:30 PM

February 27th 1:00 - 4:30 PM

Available seats: 10. Cost of workshop is \$25.

February Meeting Electrical and Mechanical Shop Safety

Bruce Wrenn, a fellow member whom most of you know, will be sharing with us some of his knowledge of shop safety. Bruce was a high school shop teacher for many years and now has a business doing home remodeling and maintenance. He is not only a very informed presenter, but also a very interesting one. If I ever have a difficult technical problem, Bruce is the first person I go to and so far, he has been the last. Please come with your safety questions. Bruce will describe how set up a shop for safety. He will describe material flow and explain its importance to safety. Proper work habits, electrical wiring, and dust control will be a few of the other topics. You should leave the meeting a safer worker.

Bruce will discuss how to properly set up and wire a workshop considering size and work-flow. Host: Fred Ford

President's Corner

I am sorry that the meeting for December was delayed one week. This was due to a communication problem. Fortunately, we had a good turn out at the meeting on the fourteenth. We were able to recognize some of the toy makers. We also had some excellent show and tell. I regret that we were not able to have the show and tell from the woodworkers in Greenville. They had a very successful program building the same toys that we do. Maybe they can bring it to one of our meetings.

I plan to have a board meeting on February 1 at 7:00 PM at my house.

Toys for Tot's

All together we produced over 1300 toys. Of these, I have a 100 that I was unable to deliver. I have boxed these and set them aside for next year. I also have four bushels of toys waiting for various operations. We also have some toys out for final assembly or sanding.

I purchased a HVLP sprayer and it worked great on finishing the toys. My only regret is that I did not buy it earlier. It really speeds up production. With it, we could have finished many more toys.

Hal Liberty



**TWA Board Meeting
7:00 PM Tuesday February 1, 2005**

Please contact Hal Liberty for directions and any further information.

About the Triangle Woodworkers Association

The Triangle Woodworkers Association (TWA) is a nonprofit educational corporation. The TWA is dedicated to teaching woodworking techniques through seminars, classes, and workshops; participants are required to sign waivers absolving liability for TWA or its designated representatives. The TWA promotes woodworking education and community interest in woodworking and in general sharing a love for wood.

Club Officers and Committee Chairmen

Executive Board

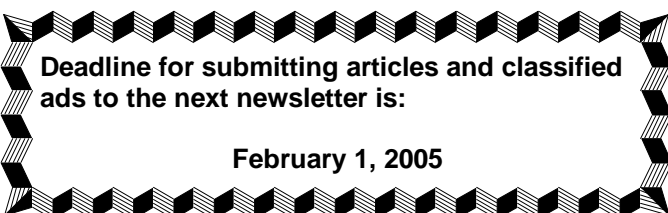
President: Hal Liberty, 919-787-7603 or hal_liberty@hotmail.com
 Vice President: Rick McQuay, (919) 773-0291 mcquay@nc.rr.com
 Secretary: Bill Anderson, (919) 932-6050 or willarda@mindspring.com
 Treasurer: Robert Foss, (919) 782-6472 or fossrg@hotmail.com
 Members at Large: Dick Courtney, Rick Cornell, Sig Johnson

Committee Chairman

Program: Rick McQuay, (919) 773-0291 mcquay@nc.rr.com
 Nominating: Fred Ford, 919-469-9575 or fwford@bellsouth.net
 Toys for Tots: Hal Liberty, 919-787-7603
 Newsletter: Rick Cornell, 919-319-9980 or trianglewoodworkers@yahoo.com
 Library: Kay Baker, 919-662-8504
 Publicity: Ron Johnson, 919-544-2021
 Sponsor: Ed Karolak, 919-383-4233
 Hospitality: Kay Baker, 919-662-8504
 Internet: Jim Kroeger, (919) 362-5741
 Mentor: Dave Mackie, 919-859-2600 or mackieevad@aol.com
 Photograph: Ron Heidenreich, 919-848-1134
 Membership: Rick Cornell or 919-319-9980 Trianglewoodworkers@yahoo.com
 Audio: Tom Revelle, 919-387-8286

TWA News is published monthly by the TWA and is mailed to members, sponsors, and associates. If you are interested in contributing articles, please send to:

Triangle Woodworkers Association
 P.O. Box 4206
 Cary, North Carolina 27519-4206
 or trianglewoodworkers@yahoo.com



Deadline for submitting articles and classified ads to the next newsletter is:

February 1, 2005

On the Web

In an effort to make our web site more useful, we have made several enhancements. We now offer:

- “Info” - which contains several charts and information useful in woodworking.
- “Plans” - a section contain various types of plans for woodworking projects.
- “Web Links” - several internet sites for other woodworking clubs. See what others are doing in their clubs.

We would like your contributions as well. If you have informational charts or plans, please contact us. Rick Cornell has offered to scan paper plans to an electronic format, providing they are given to him on 8 1/2 x 11 paper. Plans should be drawn or written in black or blue ink to make it easier for scanning.

You may also find the contents of our ever growing library on the site as well. Remember: www.ibiblio.org/twa

| Treasurer's Report | | | | |
|--|----------------|----------------|----------------|--|
| TWA Financial Report | | | | |
| As of 12/29/2004 | | | | |
| | Dec | YTD | 2004 | |
| | Actual | Actual | BUDGET | |
| Beginning Balance | 6879.03 | 6965.03 | 6442.15 | |
| INCOME | | | | |
| Dues | 497.00 | 5,077.00 | 6,000 | |
| Misc. Income Souces | | 54.50 | | |
| TOTAL INCOME | 497.00 | 5131.50 | 6000.00 | |
| EXPENSE | | | | |
| Workshops/Programs | | 4,176.43 | 3,500.00 | |
| Auction | | 300.00 | | |
| Newsletter | 71.09 | 749.64 | 1,000.00 | |
| Equipment | 0.00 | 0.00 | 100.00 | |
| WEB | 0.00 | 170.00 | 430.00 | |
| Meeting Exp | 0.00 | 14.16 | 140.00 | |
| Administrative | 0.00 | 214.41 | 500.00 | |
| Library Exp | 200.91 | 714.98 | 650.00 | |
| Toys-Tots | 0.00 | 0.00 | 200.00 | |
| TOTAL EXPENSES | 272.00 | 4469.62 | 6,520 | |
| Ending Balance | 7104.03 | 7190.03 | 5922 | |
| <i>Respectfully submitted, Robert Foss</i> | | | | |

Tips From the Web!

Over the course of a year, many of us locate tips, jigs and methods on the internet. While not original material, here is one that have made it my way recently.

Table Saw Insert with Splitter

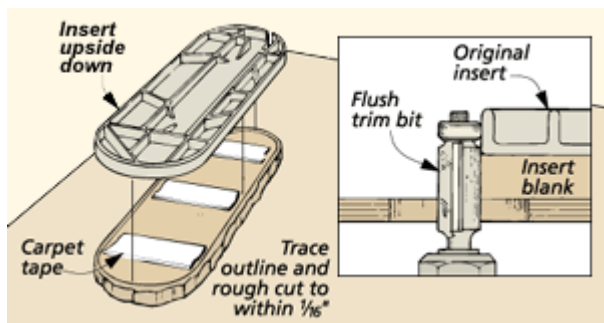
Using a splitter is a good idea any time you need to rip a board on the table saw, see photo. The splitter helps prevent the kerf from closing on the back of the blade as you rip long workpieces. Many saws now come with manufactured splitters (or they're available as an



cessory).

I use a shop-made splitter that's built into my throat opening insert. It also has the advantage of being a zero-clearance insert — narrow pieces can't fall down between the blade and the opening in the insert. Here's how I made mine.

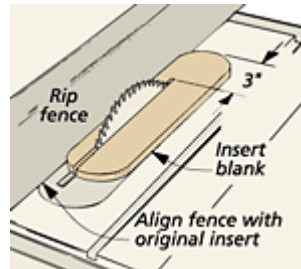
Safety note: I'm not showing a blade guard on the table saw so the operation can be shown more clearly. But please, use your guard



whenever possible.

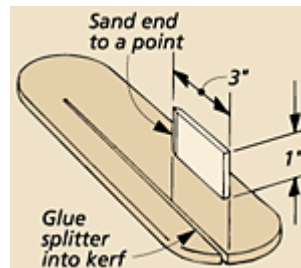
Start by using a blank that matches the thickness of the old insert. For my tablesaw, I use 1/2" MDF. It's a little thin, so I just shim it until it's flush with the top of the saw table. (I like to use tape for a shim.)

Next, trace the outline of the original insert onto the blank and rough cut it, see the drawing at left. The easiest way I've found to trim the blank to the same shape as the original, is to carpet tape the blank to the insert. Then I mount a flush trim bit in my router table and trim the blank to shape, see the inset



drawing left.

When I'm ready to rip the blade slot in the new insert, I carefully align the rip fence with the edge of the original insert, as shown in the drawing at right. Then I rip the slot, turning off the saw when I'm 3" from the end.



Finally, I make the splitter by ripping a piece to the exact thickness of the kerf. I like to sand the end closest to the blade to a point. This keeps the workpiece from getting "hung up" on the splitter.

Then the splitter is simply glued into the kerf, as shown in the drawing at left.

Good Woodworking,
Ted Raife
Online Editor, *Woodsmith*

March Program Announcement An Introduction to Routers with Lon Schleining

Note Special Day: Friday, March 18

Followed by 2 - all day seminars on Saturday, March 19th and Sunday, March 20th

One session \$30; both for only \$50. Register and pay now to secure your place. Seminars are limited to 20 participants. See Bob Gabor at the next meeting.

2005 Program Schedule

January 18th

Workshops February 26th, 27th

Leon Harkins

Discussion: Chip Carving

Presentation and \$25 workshop

Leon Harkins, a TWA member and gifted carver, will compare chip carving vs. carving in the round vs. relief carving. He will cover the tools and techniques used in chip carving, discuss design considerations and show some examples of his handwork.

Host: Rick McQuay

February 15th

Bruce Wren

Discussion: Workshop Operations: Setup, Wiring, And Safety

Bruce will discuss how to properly set up and wire a workshop considering size and workflow.

Host: Fred Ford

March 18th (Friday)

Workshops March 19th, 20th

Lon Schleining

Discussion: Router Presentation

Presentation and 2 workshops: \$30 each or \$50 for both

The router is one of the most affordable and versatile tools available to the woodworker. We are pleased to have Lon Schleining, a professional woodworker; author and instructor return to the TWA Program lineup this year and present a program and two workshops on the router. Lon uses the router extensively in his staircase construction business and will share his vast knowledge of its use with us. When Lon isn't building stairs, he's writing a book or woodworking article, lecturing to a Woodworker's Guild or teaching at a woodworking school or show. His programs and workshops are well suited for all skill levels and are presented in a very enjoyable manner.

Host: Bob Gabor

April 22nd (Friday)

Workshops April 23rd, 24th

Alan Noel

Discussion: Hand Finishing

Presentation and 2 workshops: \$30 each or \$50 for both

We are pleased to have Alan Noel presenting a topic on finishing at the Friday meeting. On Saturday April 23 Alan will host a hand finishing workshop and Sunday April 24 he will host a workshop on spray finishing. Alan has a furniture refurbishing business in Atlanta and teaches at a number of woodworking schools including Highland Hardware and The Marc Adams School of Woodworking.

Host: Cecil Raynor

May 17th

Alan Leland

Discussion: Bowl Turning

Alan graduated from East Carolina University in 1974. He spent 19 years making furniture and helping to build This End Up Furniture Company. His interest in finely crafted furniture continues today and includes very finely crafted lathe turnings. He is a member of several local woodworking organizations including a term as Vice President of the Woodturners Guild of NC. He has attended and taught at National and State Symposiums and demonstrated turning at the 2004 National Woodturners Symposium in Orlando, FL. Alan is currently teaching at the Woodcraft Store in Raleigh and will be conducting a class at the John Campbell Folk School during April 2005.

Alan is a professional woodturner and an active member of TWA. He has demonstrated turning very finely crafted tree ornaments at a previous TWA meeting and in May 2005 will be demonstrating bowl turning.

Host: Dave Mackie

June 21st

George Holmes

Discussion: Spray Finishing

Mr. George Holmes, a representative of the ML Campbell Co., will be giving a demonstration on spray finishes and techniques with a heavy emphasis on water-borne finishes.

Host: Bruce Wren

July 19th

Workshops: July 23rd, July 30th and August 6th - 9 AM to 4 PM.

Jim Smith, Paul Roth & Kevin Pearce

Discussion: Sharpening, stones, sandpaper, machines

Presentation and 3 \$15 workshops

Jim Smith operates a business constructing traditional Japanese furniture, using traditional Japanese methods. Working in the furniture business since 1975, Jim began his venture into Japanese methods in 1977, tutored by a West Coast artisan. Since most of his work involves extensive use of hand tools, sharpening is an important part of Jim's work.

During the general meeting Jim will describe the various tools that go into sharpening chisels and planes in the traditional Japanese way. Although not well known in the handyman market, water stones, the basic Japanese sharpening tool, are probably used by 90% of professional cabinetmakers.

Three workshops will be scheduled, accommodating five people each. All three workshops will be the same and will focus on preparation of wet stones for use on sharpening chisels. These workshops will be very much hands on. The workshops are now set for July 23rd, July 30th, and August 6th, and will go from 9 AM to 4 PM.

If members want to follow up with additional subjects; Jim has other workshops he features.

Paul Rolfe is a professional wood carver, the manager of the Woodworking Store, and a TWA member.

Paul will discuss and demonstrate sharpening the Tormek sharpening system. He will show and explain various jigs used to sharpen tools. The jigs bring accuracy and repeatability to the sharpening process.

Kevin Pearce hails from England, where he apprenticed and graduated from the London College of Furniture in 1977. Since then, he has been a professional cabinetmaker, now residing in Raleigh.

Kevin will demonstrate how to get a razor sharp edge on your scraper. The scraper is a simple but versatile tool and is used many professional cabinetmakers. If you do not have a scraper in your shop, you should!

Host: Fred Ford

Aug 16th

Freud Factory Rep
Discussion: Saw Blades

Host: Rick McQuay

Sept 20th

Workshop September 24th

Ron Johnson
Discussion: Shaker Boxes
Presentation and \$30 workshop

Ron Johnson is past president and long-time contributor to TWA. Ron's presentation will be a new edition of his popular "Introduction to building Shaker boxes". Ron will explain and demonstrate how to construct these popular craft items. After watching Ron, I'm sure that you would consider giving boxes as gifts to those special family members.

For those who want more information and guidance, Ron will offer a Saturday workshop where he will lead us through the construction of our own Shaker box.

Host: Jeff Leimberger

October 21st (Friday)

Workshops October 22nd, 23rd

Frank Klausz
Discussion: Hand Tool Techniques
Presentation and 2 workshops
Workshop cost: \$75 for both

Frank Klausz is the owner and president of Frank's Cabinet Shop Inc. in Pluckemin, New Jersey. A European trained Master cabinetmaker, his shop specializes in fine furniture reproductions and custom architectural fixtures. Frank has published many articles in woodworking magazines and appeared in several videos that have showcased his skills. He is perhaps best known for his video "Dovetail a drawer with Frank Klausz".

Frank has given many teaching seminars around the country in recent years. He will give a Friday night presentation on his work and woodworking methods and a workshop on Saturday and Sunday. If interest is high enough, the workshop may be a two-day class on making a dovetailed jewelry box. Other possible workshops include hand tool joinery and finishing.

Host: Jeff Leimberger

November 15th

Phil Bright
Annual Auction
Host: Ed Karolack

December 13th

Hal Liberty
Toys For Tots, Show & Tell, Social
Host: Hal Liberty

December Show-n-Tell



Hal Liberty with Noah's Ark



Jim Rhodes with Candy Dispenser



RJ Felts with musical jewelry box



Don Frankfather with phone table



Frank Mansfield's train and bulldozer



TWA Sponsors

Ashcroft Saws and Tools 876-3223
3216-G Wellington Ct, Raleigh, NC
25% off list on blades and 10% off on sharpening

Capitol City Lumber Co. 832-6492
4216 Beryl Road, Raleigh, NC 1-800-244-6492
Special prices to TWA members
<http://www.capitolcitylumber.com/>

Stock Building Company 828-7471
3000 Yonkers Rd
Hwy. 64 & Old US 1

Klingspor's Woodworking Shop
(919) 876-0707
3141 Capital Blvd. (.9 mile N of Beltline exit 11)
(10% discount excluding lumber and power tools)
www.woodworkingshop.com

Raleigh Hardwood Center 231-6620
4213 Poole Rd, exit 15 off 440 Raleigh, NC
(10% discount all non-sale items)
www.hardwoodgroup.com

Raleigh Saw 832-2248
806 McCulloch Street, Raleigh, NC
(10% discounts on all new products)

Yarnell-Hoffer Hardware 942-3500
145 Rams Plaza, Chapel Hill, NC
www.doitbest.com/yh
10% discount except power tools and sale items

Tarheel Wood Treating Co. 467-9176
Highway 54, Morrisville, NC
(Contractors prices on all wood products)
Show TWA card before order is written

The Hardwood Store 1-888-445-7335
Gibsonville, NC
Discount: 10 cents per board foot
www.hardwoodstore.com

Woodworker's Supply of NC
1125 Jay Lane, Graham, NC
(Wholesale prices)
store (336) 578-0500
mail order 1-800-645-9292
www.woodworker.com

Professional Tool Manufacturing
www.drilldoctor.com
25% Discount for online purchase of any Drill Doctor. Must use coupon code: TWAi
Contact wms@protoolmfg.com with any questions.

Guy C. Lee Building Materials 362-1444
900 N. Salem St., Apex, NC

Home Depot does not provide discounts, due to company policy, but they support our Toys For Tots program by providing space and materials. They deserve our support.

Members, sponsors and potential sponsors are invited to contact Ed Karolak with their ideas, questions, or concerns at Ekarolak@aol.com or call at 919-383-4233

\$ CLASSIFIED ADS \$

Classified ads are free to all current members. Ads will run for two issues. If you would like something listed, please send a note to the editor at: TriangleWoodworkers@yahoo.com

Wanted: Tile Saw or "Wet Saw" to either borrow / rent / buy. Please contact Robert Foss (782-6472) or at TWA meeting. (12/04)

For Sale: Sears Craftsman Industrial 2 HP "Plunge" router: Model # 315.275050, 1/2" Shank \$100.00. Sears Craftsman Fixed Base Router 1 HP, Model# 315.17551, 1/4" Shank with 5/8" Dovetail Bushing Base. \$45.00. Contact Woody Kerly Phone Number 252-438-1381. Cell# is 252-425-1715 (12/04)

For Sale: Shopsmith Mark V with table extensions, 110 Volt, Bandsaw, Planer, Biscuit Cutter, Sanding discs, Lathe tools, Dust Collection System, two new saw blades, Tool Box, complete set of books. What has been used, has been used very little, some have never been used, \$2650. Call Gary at (919)362-8781, e-mail; gstivland@nc.rr.com (12/04)

Interested in antique/traditional woodworking tools? To find out about Mid-West Tool Collectors Association, contact Ed Hobbs at 828-2754 or hobbsed@portbridge.com (99/99)

TWA

Membership Application

Complete and mail to:

Triangle Woodworkers Association
P.O. Box 4206
Cary, North Carolina 27519-4206

Name: _____

Address: _____

City: _____ State: _____ Zip: _____

Phone: _____ E-mail: _____

Spouse's name, if joining (fee is \$1.00): _____

Skill level: Beginner [] Intermediate [] Advanced [] Professional []

New member- email newsletter \$30.00 []

New Member – hard copy newsletter \$35.00 []

Renewal – email newsletter \$25.00 []

Renewal – hard copy newsletter \$30.00 []

Check # _____

Cash Amount _____ (Do not send cash through mail!)

Privacy Opt-Outs: Please Do NOT Publish My [] Phone Number [] Email Address on Membership lists. (Note: This means your phone and email information will be used only for club correspondence by club officers and committee chairman)

MEMBERSHIP EXPIRED? Check the mailing label, for the expiration date of your membership. If it says EXPIRED, please contact our membership coordinator to renew. You may receive several newsletters past your expiration date and then no more. If you have a question about your membership, please contact Rick Cornell (919-319-9980).

Triangle Woodworkers Association
P.O. Box 4206
Cary, North Carolina 27519-4206