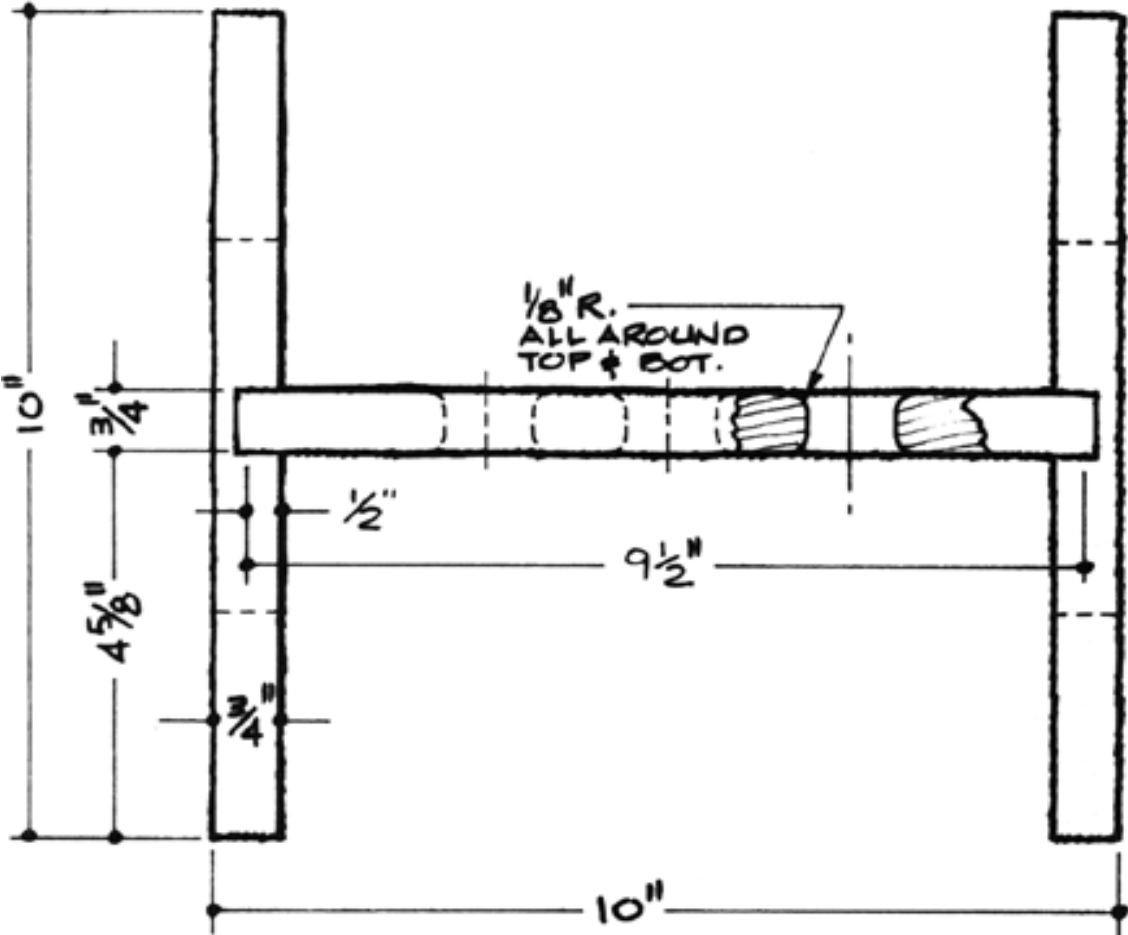
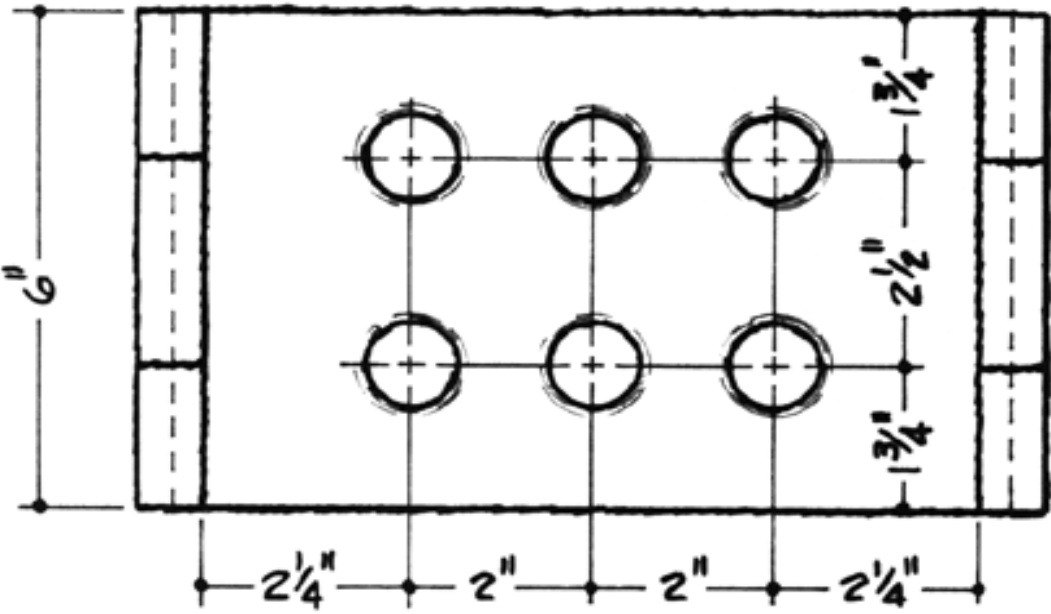




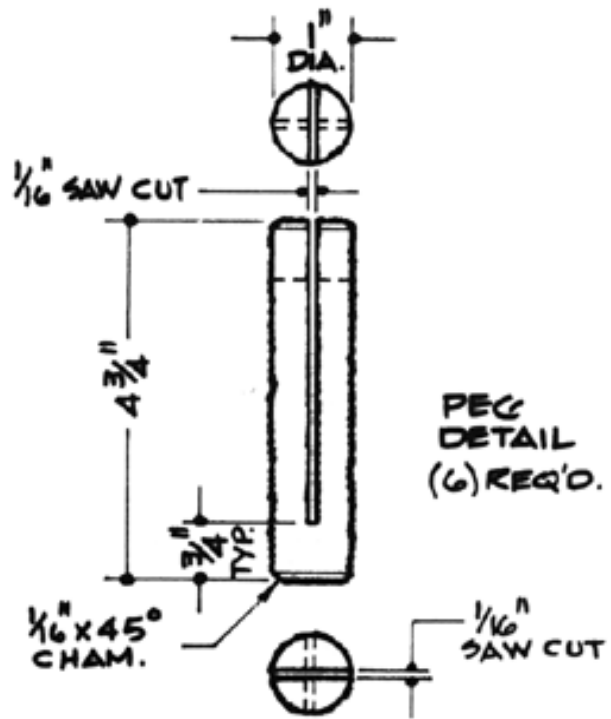
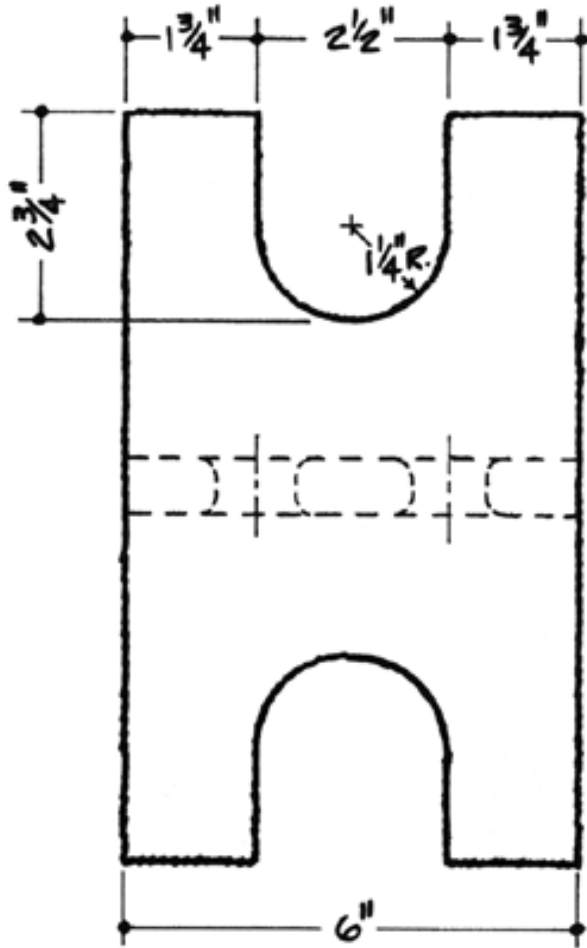
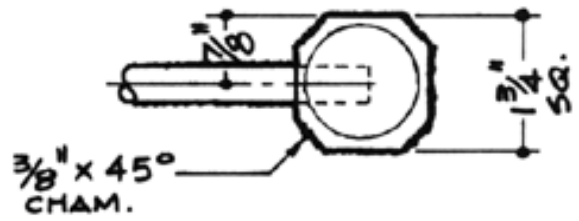
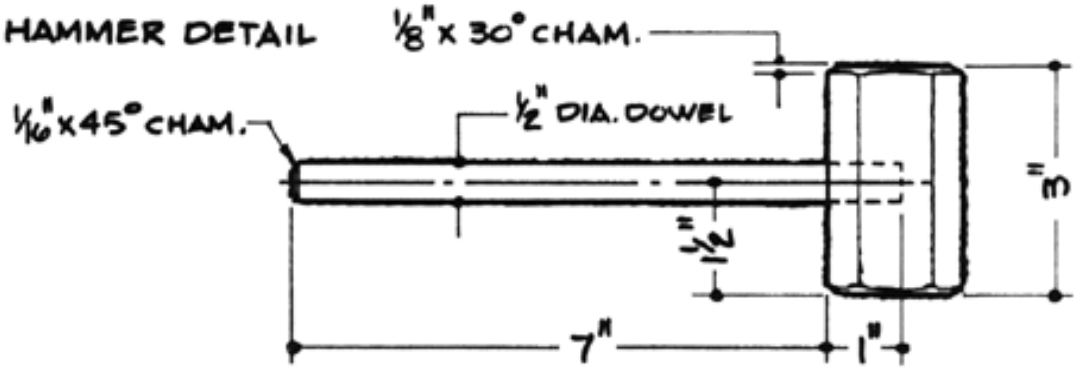
Project 19187EZ: **Bang-a-Peg Toy**

There's nothing new about this toy — it's been entertaining small-sized aspiring woodworkers for generations. The kids bang the pegs in on one side of the board, then turn it over and bang from the other side. Ours is big and sturdy, and since very little stock is required, the scrap box may yield all the material that is needed. Obviously a hardwood must be used here, preferably maple or oak. We used maple for the pegs and oak for the board. The hammer has an oak head with a maple handle.

Bang-a-Peg Toy Complete Schematic



HAMMER DETAIL



Bang-a-Peg Toy Step-by-Step Instructions

1. Cut the peg board to size.
2. Lay out and mark the locations of the six peg holes.
3. Drill some trial holes to test the peg diameters. NOTE: The diameters of the peg holes and pegs are critical – if things are too loose and the pegs will fall through the holes, if too tight they won't go through at all. Ideally, the hole diameter should be about 1/16" less than the peg diameters.
4. Make the pegs from 1" diameter dowel stock.
5. File down a 1" spade bit to make a 15/16" drill bit.
6. Drill a 15/16" hole.
7. Cut two 1/16" wide slots in each peg. The slots will let the peg compress when it is driven into the hole. NOTE: The cuts start at opposite ends and are at 90 degrees to each other.
8. Use a band saw to cut the slots.
9. Sand all parts thoroughly.
10. Apply several coats of Watco Danish Oil to finish.

These plans were originally published in Volume 7, Issue 1 of *The Woodworker's Journal* (Jan./Feb. 1983, page 37).