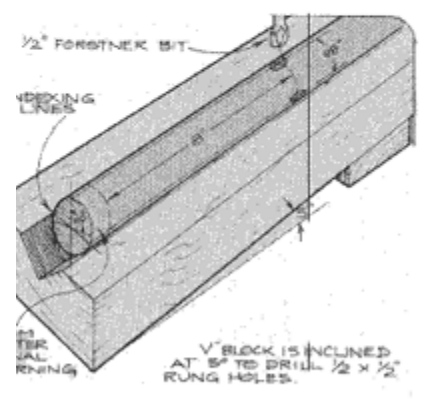
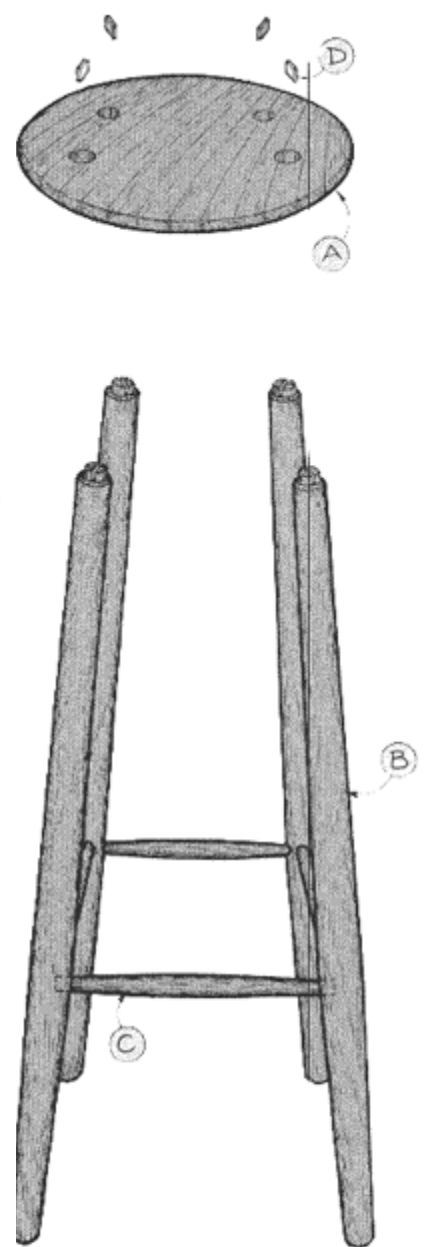
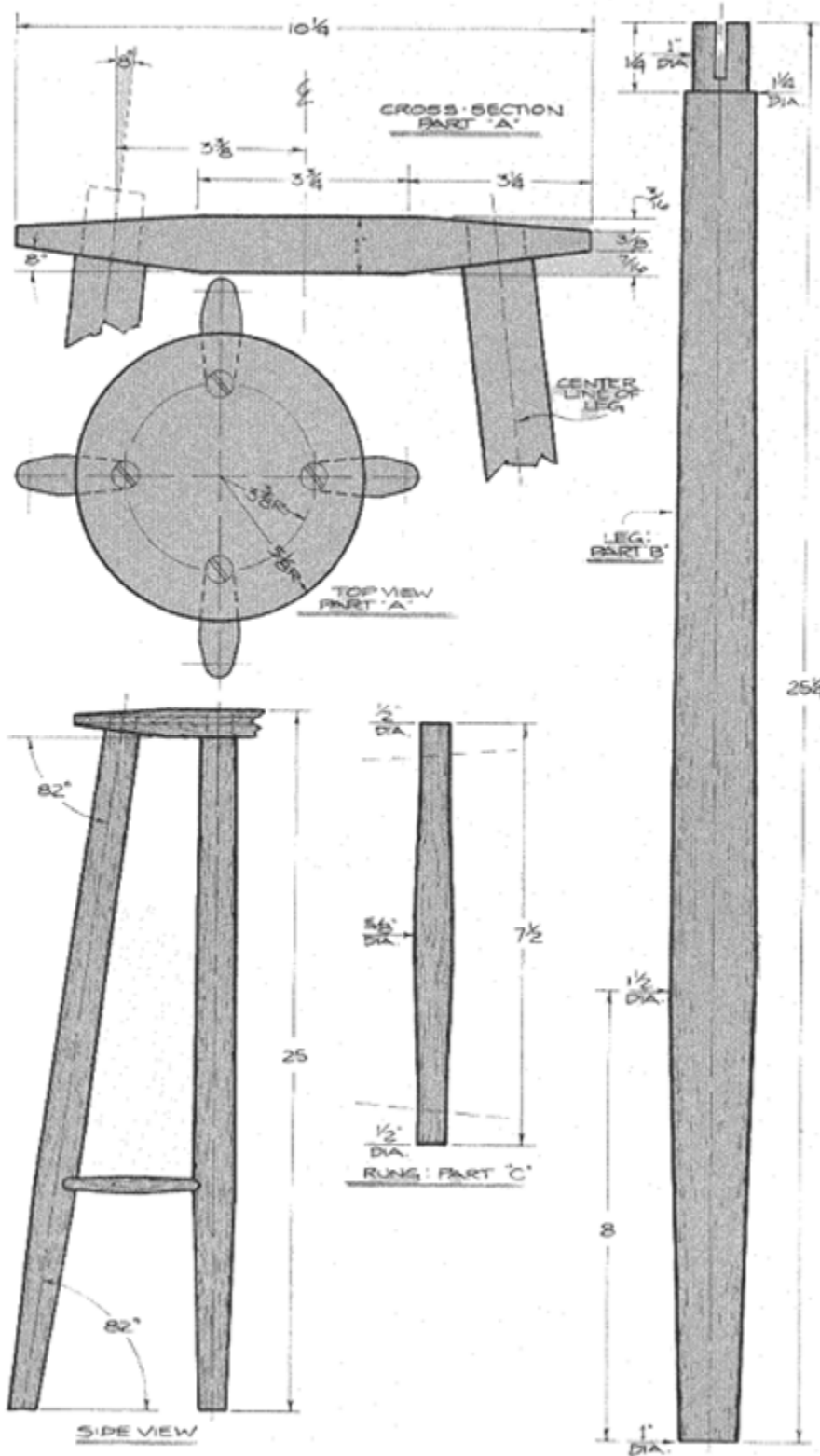




Project 17422EZ: **Stool**

A stool provides handy extra seating anywhere. In spite of its fine lines, light weight, and delicate appearance, this small stool is surprisingly sturdy.

Stool Complete Schematic



Stool Step-by-Step Instructions

1. Select a hardwood from which to make the butcher block top of the stool. The example shows 1" x 1" x 11" maple.
2. Cut the stock to 1" x 1" x 11".
3. Lay up and glue the top together with butcher block construction techniques.
NOTE: This construction provides much more strength than turning a single width of stock.
4. Allow the glue to dry.
5. Use a saber saw or band saw to rough cut round.
6. Attach the seat to the lathe faceplate.
7. Turn to the profile shown in the cross-sectional view of part A, being sure to establish the flat 8-degree taper on the seat bottom.
8. Lay out the holes to accept the for leg tenons as shown in the top view.
9. Clamp the top, along with a backing block, on the 8-degree flat to the drill press table
10. Drill each of the holes with a 1" diameter Forstner bit.
11. Cut 1-3/4" x 1-3/4" x 28" long leg turning blanks from oak.
12. Mount and turn each leg to a 1-1/2" diameter.
13. Index the stock ends.
14. Locate for the rung tenon holes 8" from what will be the bottom ends of the legs.
NOTE: As shown in the rung mortise drilling illustration, these tenon holes must be positioned 98 degrees apart to accommodate the 8-degree splay of the legs.
15. Construct a simple V-block to hold the leg stock.
16. Clamp the leg and V-block to the drill press table. **NOTE: The V-block must be inclined at 5 degrees to the drill press table.**
17. Use a 1/2" diameter Forstner bit to drill the 1/2" deep holes that will accept the rungs (C).
18. Turn the legs to establish the tapers as illustrated.
19. Turn the 1" diameter tenon on the top end of each leg.
20. Turn the rungs, which taper gradually from 5/8" at the center to 1/2" at the ends.
21. Trim the legs and rungs to final length.
22. Cut a cross-grain kerf 1" deep into the ends of the leg tenons.
23. Assemble the stool using glue throughout.
24. Select contrasting wood from which to make the wedges (D).
25. Wedge the leg tenons to lock them.
26. Use a band clamp to clamp up the legs and rungs.
27. Trim the leg tenons flush with the seat top.
28. Final sand.
29. Finish with two coats of Danish Oil.

These plans were originally published in Volume 10, Issue 5 of *The Woodworker's Journal* (Sept/Oct. 1986, pages 40-41).