

# Project 12554EZ: Veneered Wall Clock



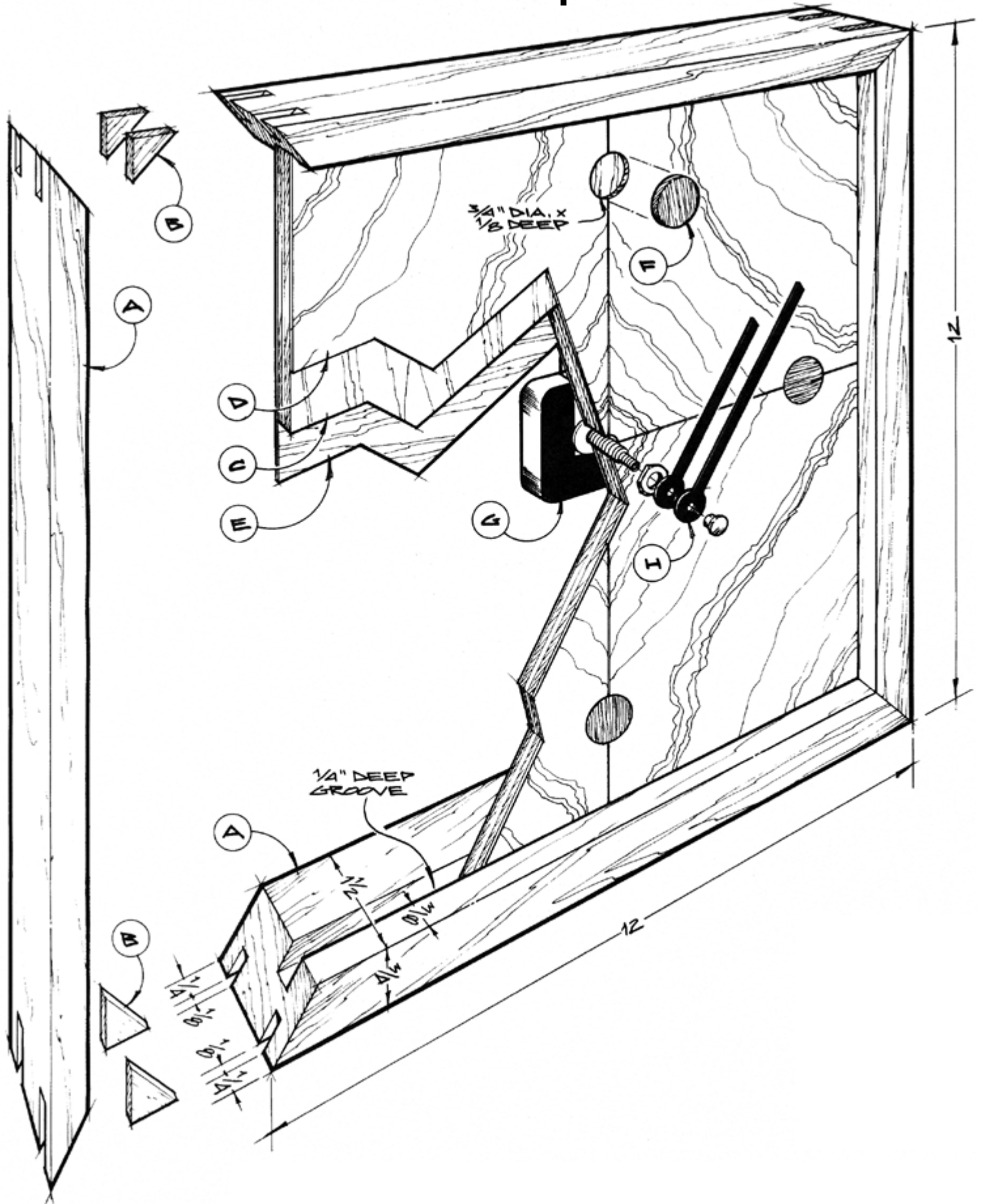
*This veneered wall clock looks like a showpiece, yet it's a surprisingly easy project to build. The 4-piece book matched veneer face lends it a dynamic and interesting appearance. Since no two veneers will have the same look, every clock will be unique. The heart and soul of the clock is the book matched face. We used olive-ash burl veneer for our clock.*

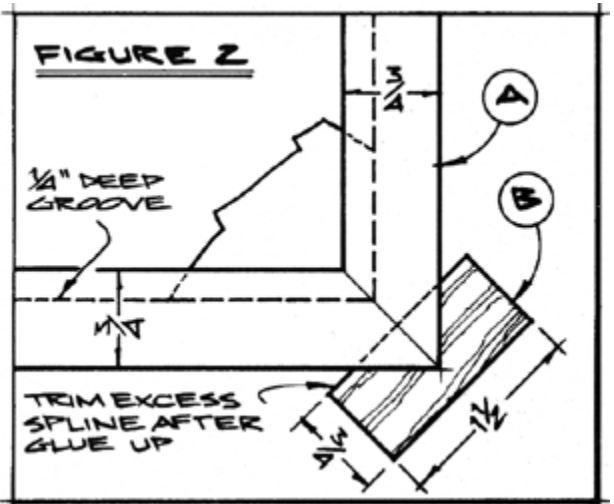
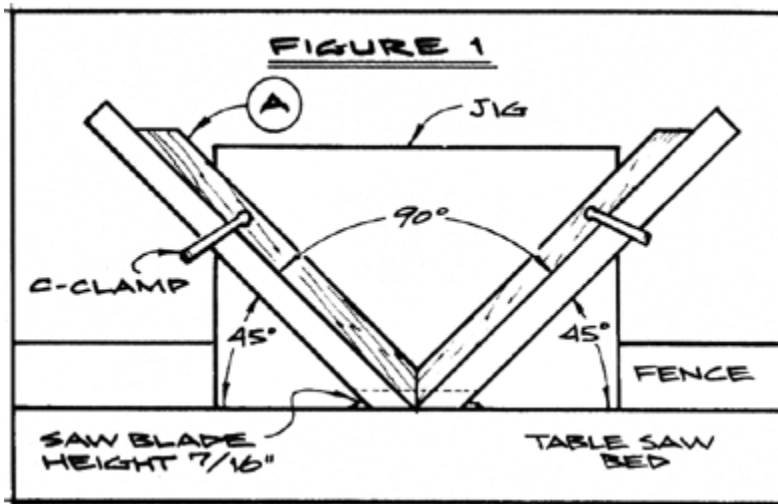
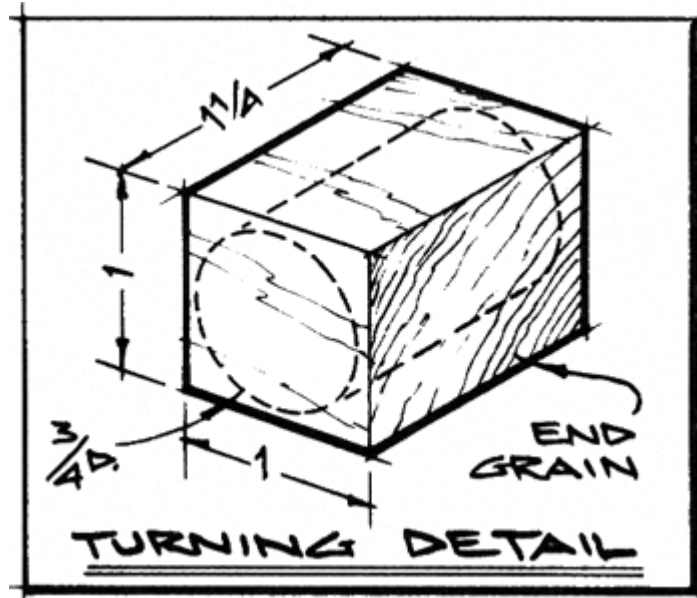
## Veneered Wall Clock Materials List

Part	Description	Size	No. Req'd
A	Frame	3/4" x 1-1/2" x 12"	4
B	Spline	1/8" x 3/4" x 1-1/2"	8
C	Plywood	1/4" x 11" x 11"	1
D	Face Veneer	As shown	1
E	Back Veneer	As shown	1
F	Hour Inlay	1/8" thick x 3/4" dia.	4
G	Quartz Movement		1
H	Hands		1 pr.

\* Before trimming

# Veneered Wall Clock Complete Schematic





# Veneered Wall Clock Step-by-Step Instructions

1. Lay the book matched face (D) up over a 1/4" thick plywood base (C).
2. Apply a backing veneer (E) must to the back side of the plywood in order to equalize tension.
3. Glue and clamp.
4. Set the veneered plywood aside to dry while you work on the frame.
5. Select whatever stock you would like to make the frame, being sure to make the frame and the face complement each other.
6. Cut the four frame pieces (A), leaving-a little extra length so the ends may be mitered.
7. Use the dadohead to cut the 1/4" deep groove that the face will fit in.
8. Make this groove slightly wider than 1/4" to allow for the thickness that the veneers will add to the plywood.
9. Miter the frame ends.
10. Use the spline cutting jig shown in **Figure 1** to cut the spline grooves in the four frame corners.
11. Obtain ebony to make the 3/4" diameter hour marks.
12. Turn a short cross-grain piece of the ebony on the lathe (see turning detail).
13. Slice off four round inlay sections from the ebony piece.
14. Use a Forstner bit to drill the face to accept these hour inlays.
15. Make the inlays thick enough so they protrude slightly.
16. Sand the inlays flush.
17. Align each inlay with the grain running toward the face center.
18. Drill through the center to accept the movement arbor.
19. Final sand the face before assembly.
20. Assemble the frame around the face, trimming the splines flush after glue-up (see **Figure 2**).
21. Sand the frame.
22. Finish with tung oil.

---

These plans were originally published in Volume 9, Issue 6 of *The Woodworker's Journal* (Nov./Dec. 1985, page 42-43).