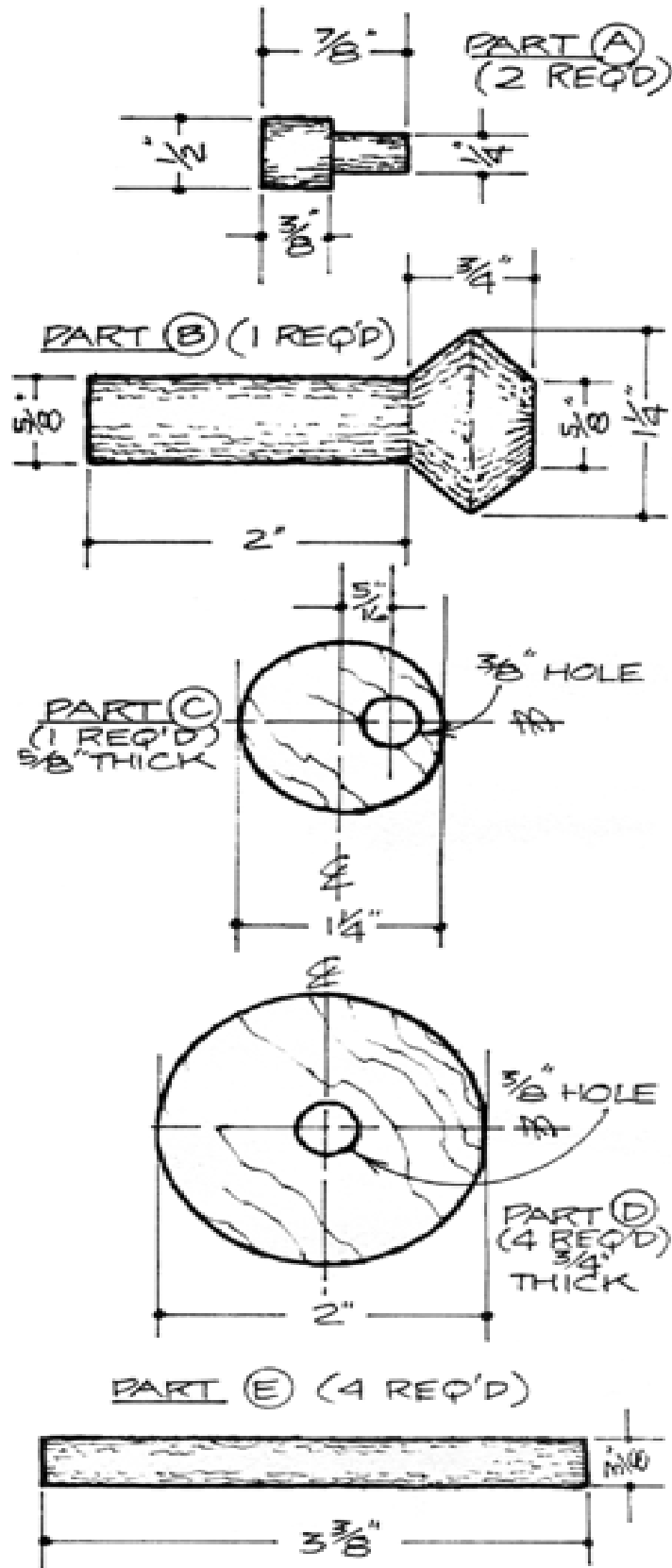


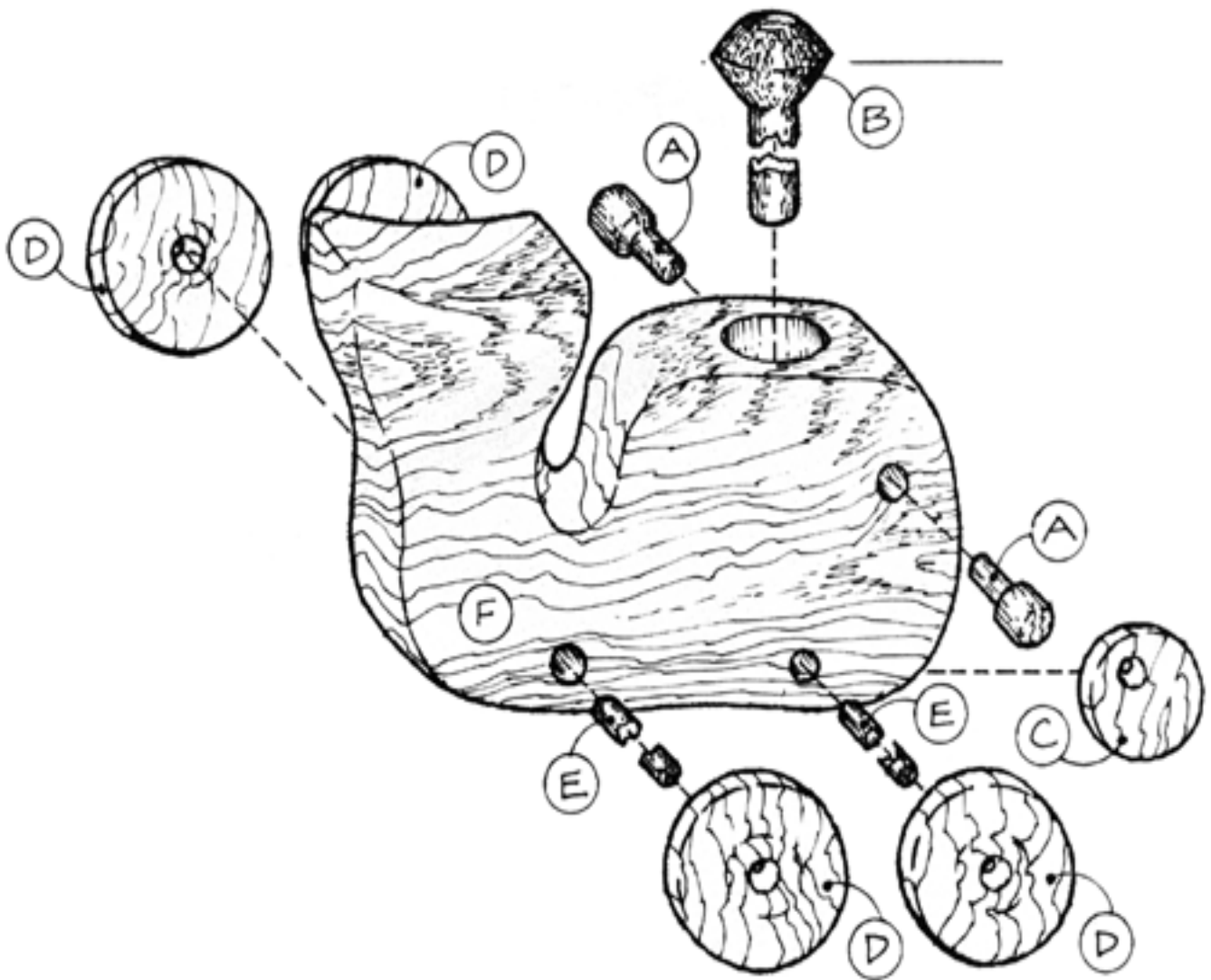
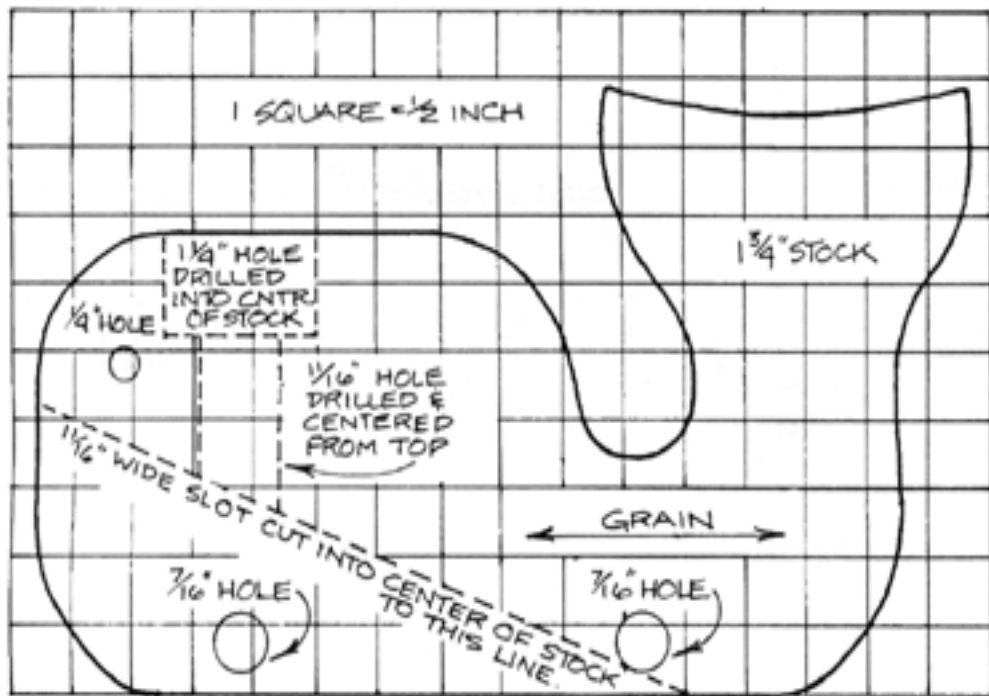
## **Project 19393EZ: Whale Toy**

*Although this friendly leviathan rolls rather than swims, it still “spouts” just like a real one. Actually, the “spout” is a shaped pin (part B) that moves up and down on a cam (part C) as the whale rolls along. You can make it from just about any wood species, but for maximum durability, maple is your best choice.*

# Whale Toy Complete Schematic

## LIST OF PARTS WITH DIMENSIONS





# Whale Toy Step-by-Step Instructions

1. Cut a piece of 2" stock (1-3/4" actual) to 5" wide by 8" long to begin making the body (part F).
2. Transfer the profile shown on the grid pattern to the stock.
3. Lay out the location of the two 7/16" diameter axle holes and the 1/4" diameter eye holes.
4. Use a drill press to bore these holes
5. Use a band or saber saw to cut part F to shape.
6. Use the drill press to bore the 1-1/4" diameter by 3/4" deep countersunk hole for the spout (part B).
7. Drill the 11/16" diameter hole through the center of the countersunk hole.
8. Use a back or dovetail saw to cut the 11/16" wide slot by hand, making two parallel cuts to establish the width.
9. Use a sharp chisel to remove the scrap.
10. Cut the remaining parts to the dimensions shown.
11. Sand thoroughly, taking care to remove all sharp edges.
12. Assemble as shown, making sure that all parts (except part B) are glued securely with non-toxic glue. **NOTE: Keep in mind that a small part that falls off a toy presents a potential choking hazard to a young child.**
13. Leave unfinished.

---

These plans were originally published in Volume 6, Issue 5 of *The Woodworker's Journal* (Sept./Oct. 1982, page 42).