

DC bridge circuits

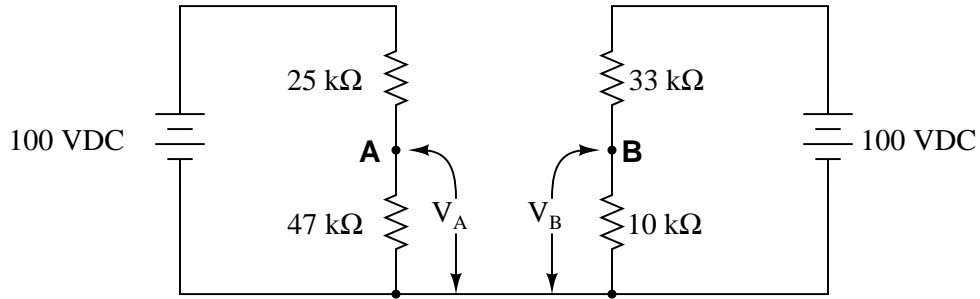
This worksheet and all related files are licensed under the Creative Commons Attribution License, version 1.0. To view a copy of this license, visit <http://creativecommons.org/licenses/by/1.0/>, or send a letter to Creative Commons, 559 Nathan Abbott Way, Stanford, California 94305, USA. The terms and conditions of this license allow for free copying, distribution, and/or modification of all licensed works by the general public.

Resources and methods for learning about these subjects (list a few here, in preparation for your research):

Questions

Question 1

Calculate the output voltages of these two voltage divider circuits (V_A and V_B):

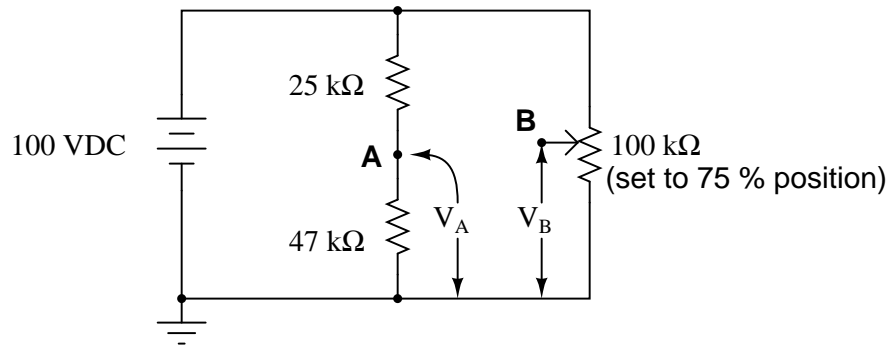


Now, calculate the voltage between points **A** (red lead) and **B** (black lead) (V_{AB}).

[file 01725](#)

Question 2

Calculate the output voltages of these two voltage divider circuits (from point **A** to ground, and from point **B** to ground):

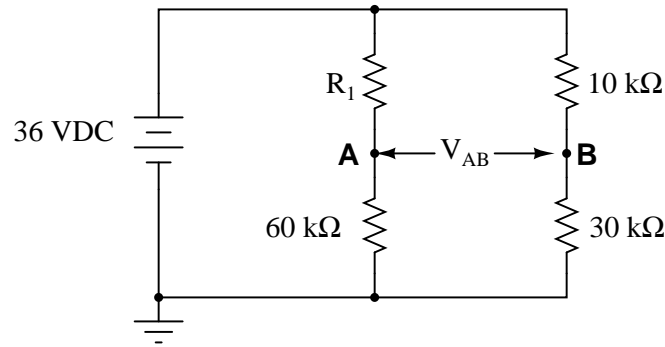


Now, calculate the voltage between points **A** (red lead) and **B** (black lead).

[file 00542](#)

Question 3

How much voltage needs to be dropped across resistor R_1 in order to make voltage V_{AB} equal to zero?

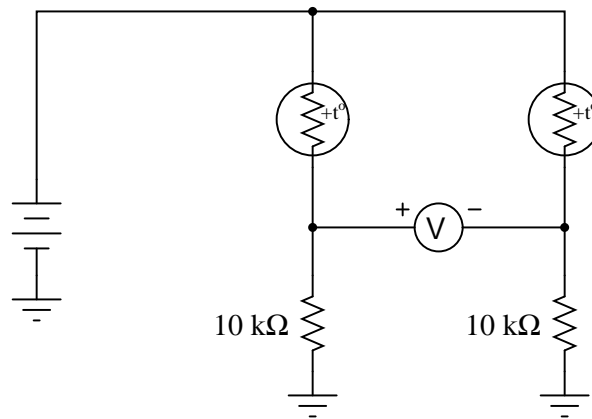


How much resistance must R_1 possess in order to drop that amount of voltage?

[file 00543](#)

Question 4

A *thermistor* is a special resistor that dramatically changes resistance with changes in temperature. Consider the circuit shown below, with two identical thermistors:



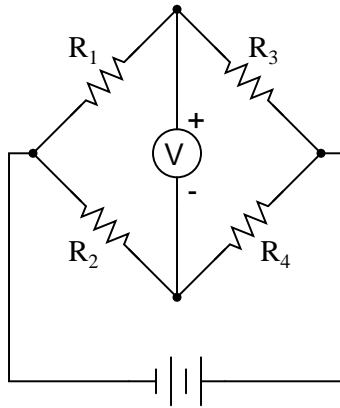
The " $+t^\circ$ " label in each one shows that they both have positive α coefficients.

How much voltage would you expect the voltmeter to register when the two thermistors are at the exact same temperature? Which thermistor would have to become hotter in order to cause the voltmeter to read a significant *negative* voltage?

[file 01751](#)

Question 5

In general terms, describe what must be done to *balance* this bridge circuit. What, exactly, does the term "balance" mean in this context?



Also, write an equation containing only the four resistor values (R_1 , R_2 , R_3 , and R_4) showing their relationship to one another in a balanced condition.

[file 00544](#)

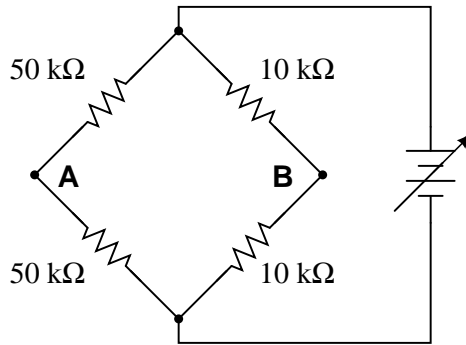
Question 6

Identify the most important qualification for the "null" meter used to balance a bridge circuit. In other words, describe what type of meter we would be looking for if we were to select one for use as a "null" meter. Describe why this particular quality is important.

[file 00545](#)

Question 7

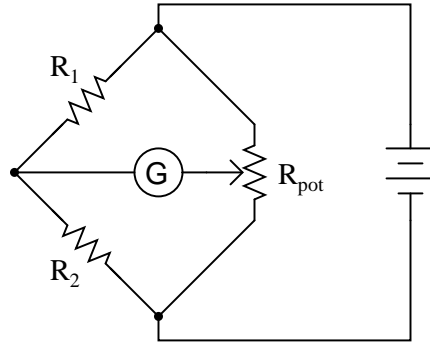
What will happen to the voltage between points **A** and **B** if the power supply voltage increases?



[file 00546](#)

Question 8

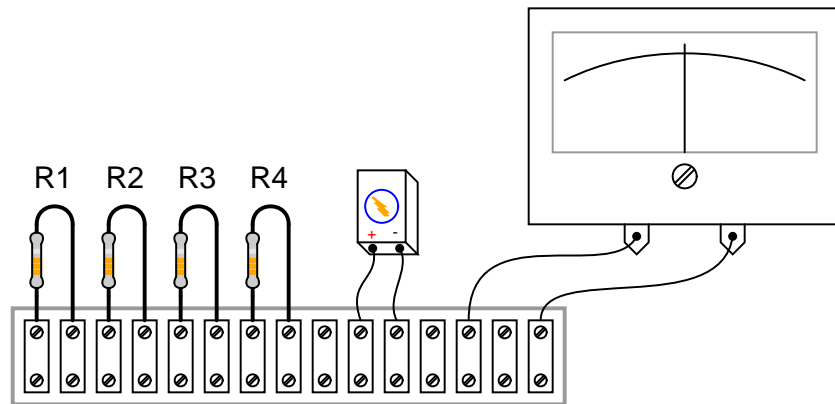
Explain how this bridge circuit is capable of being "balanced" for *any* values of R_1 and R_2 :



[file 03474](#)

Question 9

Complete the wire connections necessary to make this a bridge circuit, where $\frac{R_1}{R_2} = \frac{R_3}{R_4}$ at balance:



[file 00549](#)

Question 10

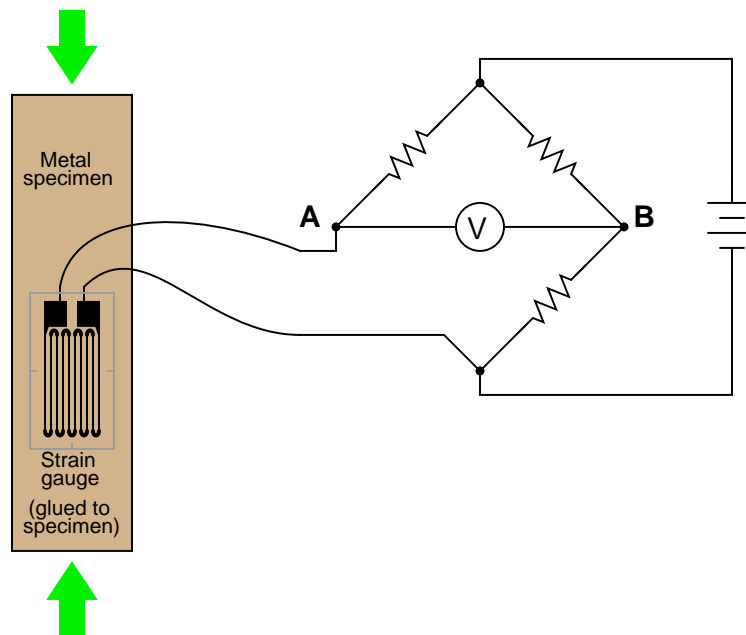
In the early days of electrical metrology, the best way to measure the value of an unknown resistance was to use a *bridge* circuit. Explain how a four-resistor bridge (a "Wheatstone" bridge) could be used to accurately measure an unknown resistance. What components would this bridge circuit have to be constructed from? Did the power source have to be precision as well? Did the voltmeter in the middle of the bridge have to be accurately calibrated?

[file 03258](#)

Question 11

A *strain gauge* is a device used to measure the strain (compression or expansion) of a solid object by producing a resistance change proportional to the amount of strain. As the gauge is strained, its electrical resistance alters slightly due to changes in wire cross-section and length.

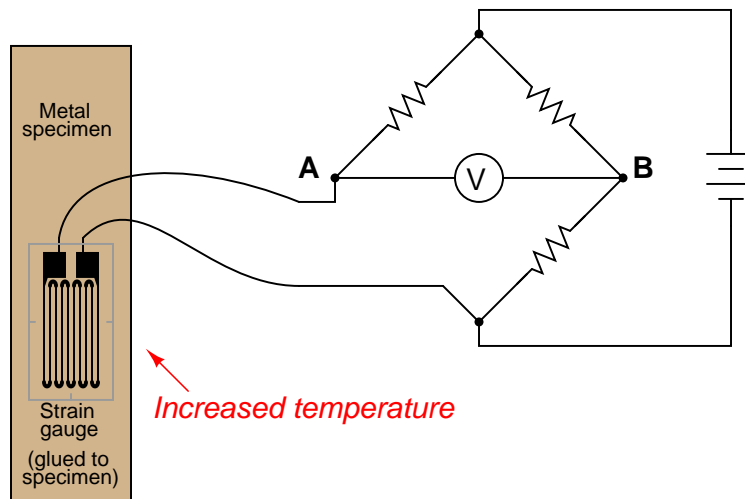
The following strain gauge is shown connected in a "quarter-bridge" circuit (meaning only one-quarter of the bridge actively senses strain, while the other three-quarters of the bridge are fixed in resistance):



Explain what would happen to the voltage measured across this bridge circuit (V_{AB}) if the strain gauge were to be *compressed*, assuming that the bridge begins in a balanced condition with no strain on the gauge. [file 00547](#)

Question 12

A *strain gauge* is a device used to measure the strain (compression or expansion) of a solid object by producing a resistance change proportional to the amount of strain:



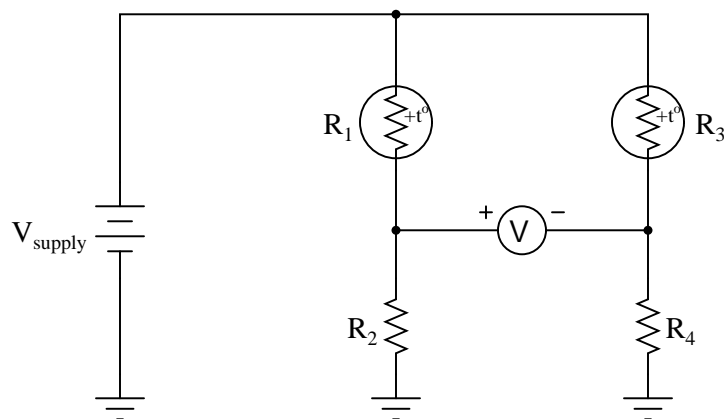
The bridge circuit is supposed to respond to changes in specimen strain, but explain what will happen to the voltage measured across this bridge circuit (V_{AB}) if the specimen's temperature increases (with no stress applied), assuming that the bridge begins in a balanced condition with no strain on the gauge, at room temperature. Assume a positive α value for the strain gauge conductors.

What does this indicate about the effectiveness of this device as a strain-measuring instrument?

file 00548

Question 13

Predict how the operation of this thermistor bridge circuit will be affected as a result of the following faults. Consider each fault independently (i.e. one at a time, no multiple faults):

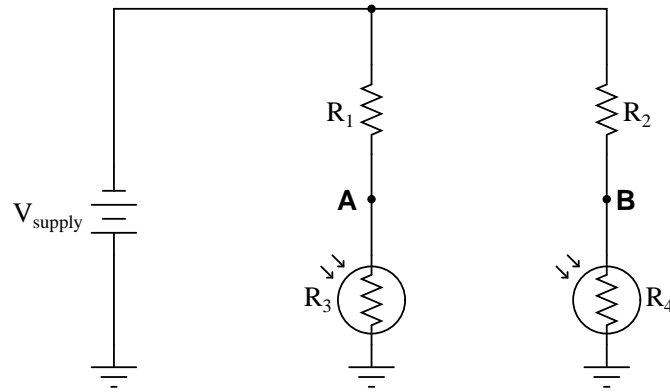


- Thermistor R_1 fails open:
- Thermistor R_3 fails open:
- Solder bridge (short) across thermistor R_3 :
- Resistor R_2 fails open:
- Resistor R_4 fails open:

For each of these conditions, explain *why* the resulting effects will occur.
[file 03939](#)

Question 14

Predict how the voltage polarity between test points **A** and **B** will be affected as a result of the following faults. Consider each fault independently (i.e. one at a time, no multiple faults):



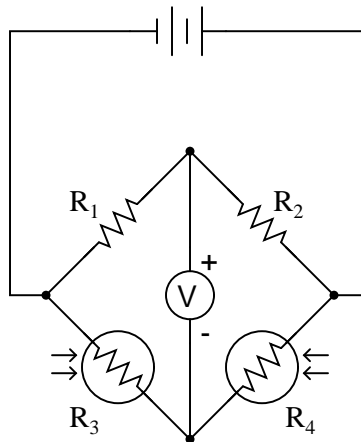
- Photoresistor R_4 fails open:
- Photoresistor R_3 fails open:
- Solder bridge (short) across photoresistor R_4 :
- Resistor R_2 fails open:
- Resistor R_1 fails open:

For each of these conditions, explain *why* the resulting effects will occur.

[file 03944](#)

Question 15

This bridge circuit is suppose to generate an output voltage proportional to the *difference* between light exposure on the two photocells:

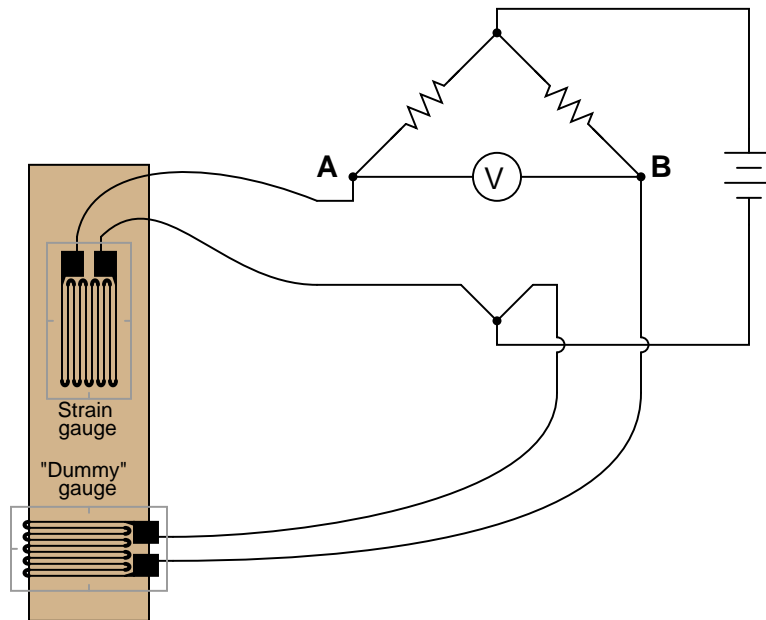


However something has failed in this circuit, because the voltmeter is "pegged" fully negative and will not change with varying light exposures on the two cells. Identify at least two possible failures that could cause the voltmeter to over-range in the negative direction.

[file 00504](#)

Question 16

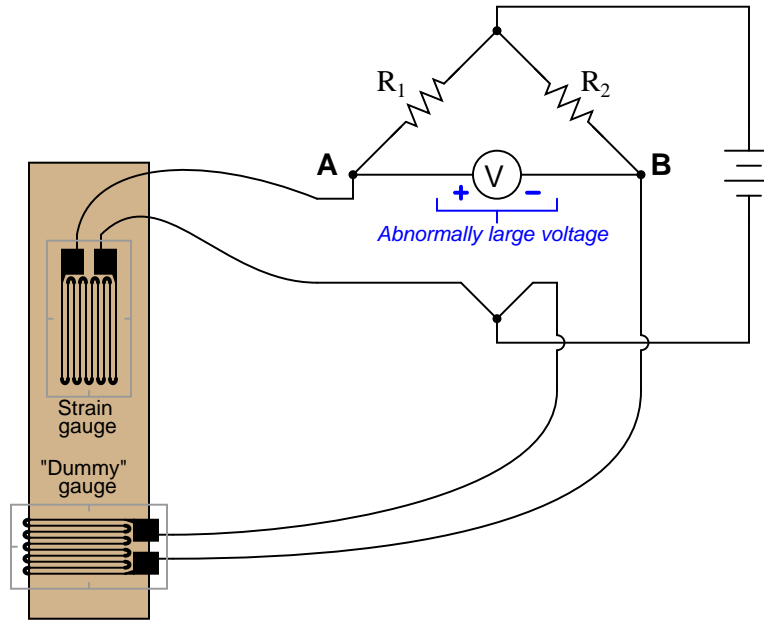
Explain how this strain gauge circuit exploits a property of bridge circuits to provide automatic temperature compensation (so that changes in specimen temperature do not compromise strain measurement accuracy):



file 00550

Question 17

The following bridge circuit uses two strain gauges (one to measure strain, the other to compensate for temperature changes), the amount of strain indicated by the voltmeter in the center of the bridge. Unfortunately, though, it has a problem. Instead of registering a very small voltage as it normally does, the voltmeter shows a large voltage difference, with point **A** positive and point **B** negative:



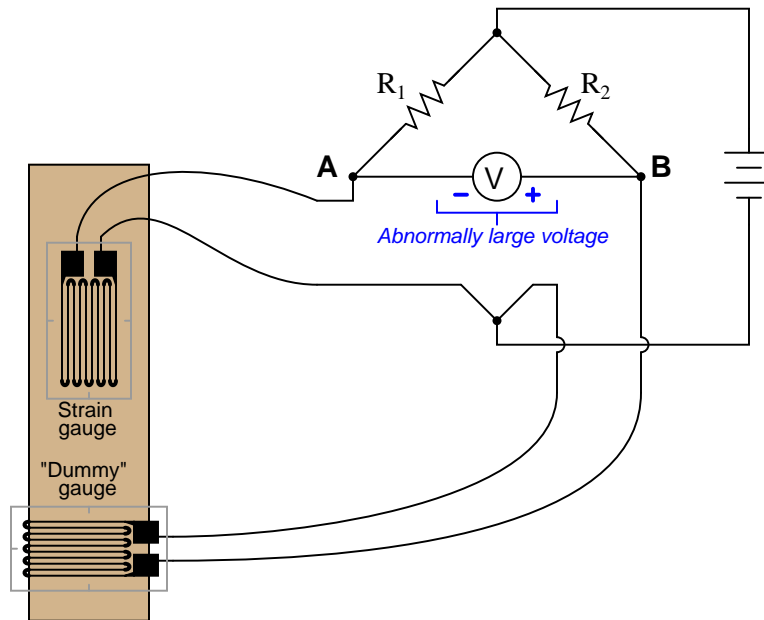
Something is wrong in the bridge circuit, because this voltage is present even when there is no physical stress on the specimen. Identify which of the following faults could cause the excessive voltage to appear across the voltmeter, and which could not. Consider only one of these faults at a time (no multiple, simultaneous faults):

- Resistor R_1 failed open
- Resistor R_1 failed shorted
- Resistor R_2 failed open
- Resistor R_2 failed shorted
- Strain gauge (measurement) failed open
- Strain gauge (measurement) failed shorted
- "Dummy" gauge (temperature compensation) failed open
- "Dummy" gauge (temperature compensation) failed shorted
- Voltage source is dead (no voltage output at all)

file 03331

Question 18

The following bridge circuit uses two strain gauges (one to measure strain, the other to compensate for temperature changes), the amount of strain indicated by the voltmeter in the center of the bridge. Unfortunately, though, it has a problem. Instead of registering a very small voltage as it normally does, the voltmeter shows a large voltage difference, with point **B** positive and point **A** negative:



Something is wrong in the bridge circuit, because this voltage is present even when there is no physical stress on the specimen. Identify which of the following faults could cause the excessive voltage to appear across the voltmeter, and which could not. Consider only one of these faults at a time (no multiple, simultaneous faults):

- Resistor R_1 failed open
- Resistor R_1 failed shorted
- Resistor R_2 failed open
- Resistor R_2 failed shorted
- Strain gauge (measurement) failed open
- Strain gauge (measurement) failed shorted
- "Dummy" gauge (temperature compensation) failed open
- "Dummy" gauge (temperature compensation) failed shorted
- Voltage source is dead (no voltage output at all)

file 03330

Don't just sit there! Build something!!

Learning to mathematically analyze circuits requires much study and practice. Typically, students practice by working through lots of sample problems and checking their answers against those provided by the textbook or the instructor. While this is good, there is a much better way.

You will learn much more by actually *building and analyzing real circuits*, letting your test equipment provide the "answers" instead of a book or another person. For successful circuit-building exercises, follow these steps:

1. Carefully measure and record all component values prior to circuit construction.
2. Draw the schematic diagram for the circuit to be analyzed.
3. Carefully build this circuit on a breadboard or other convenient medium.
4. Check the accuracy of the circuit's construction, following each wire to each connection point, and verifying these elements one-by-one on the diagram.
5. Mathematically analyze the circuit, solving for all values of voltage, current, etc.
6. Carefully measure those quantities, to verify the accuracy of your analysis.
7. If there are any substantial errors (greater than a few percent), carefully check your circuit's construction against the diagram, then carefully re-calculate the values and re-measure.

Avoid very high and very low resistor values, to avoid measurement errors caused by meter "loading". I recommend resistors between 1 k Ω and 100 k Ω , unless, of course, the purpose of the circuit is to illustrate the effects of meter loading!

One way you can save time and reduce the possibility of error is to begin with a very simple circuit and incrementally add components to increase its complexity after each analysis, rather than building a whole new circuit for each practice problem. Another time-saving technique is to re-use the same components in a variety of different circuit configurations. This way, you won't have to measure any component's value more than once.

[file 00405](#)

Answers

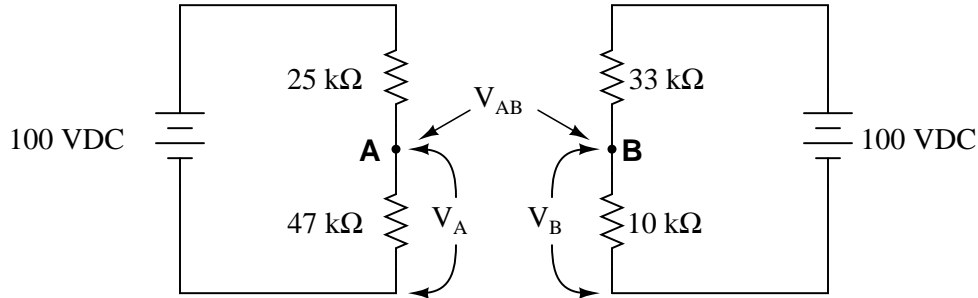
Answer 1

$$V_A = + 65.28 \text{ V}$$

$$V_B = + 23.26 \text{ V}$$

$$V_{AB} = + 42.02 \text{ V (point A being positive relative to point B)}$$

Challenge question: what would change if the wire connecting the two voltage divider circuits together were removed?



Answer 2

$$V_A = + 65.28 \text{ V}$$

$$V_B = + 75.0 \text{ V}$$

$$V_{AB} = - 9.72 \text{ V}$$

Answer 3

$$V_{R1} = 9 \text{ V}$$

$$R_1 = 20 \text{ k}\Omega$$

Follow-up question: what do you notice about the four resistors' values in this condition where $V_{AB} = 0$? Pair up these four resistors into two sets of two pairs, and calculate the ratios of those pairs. What do you notice about these ratios?

Answer 4

If the two thermistors are at equal temperature, the voltmeter should register 0 volts. To get the voltmeter to register negative, the left-hand thermistor would have to be warmer than the right-hand thermistor.

Answer 5

For a bridge circuit to be "balanced" means that there is zero voltage between the two opposite corners of the circuit (where the battery does *not* connect). Achieving a condition of "balance" in a bridge circuit requires that the resistance ratios of the four "arms" of the circuit be in proportion:

$$\frac{R_1}{R_3} = \frac{R_2}{R_4}$$

Follow-up question: the bridge-balance equation shown above may also be written in a slightly different form:

$$\frac{R_1}{R_2} = \frac{R_3}{R_4}$$

Show algebraically how the first equation may be manipulated to take the form of the second equation, thus demonstrating these two equations' equivalence.

Answer 6

Above all, a null meter must be *sensitive*.

Answer 7

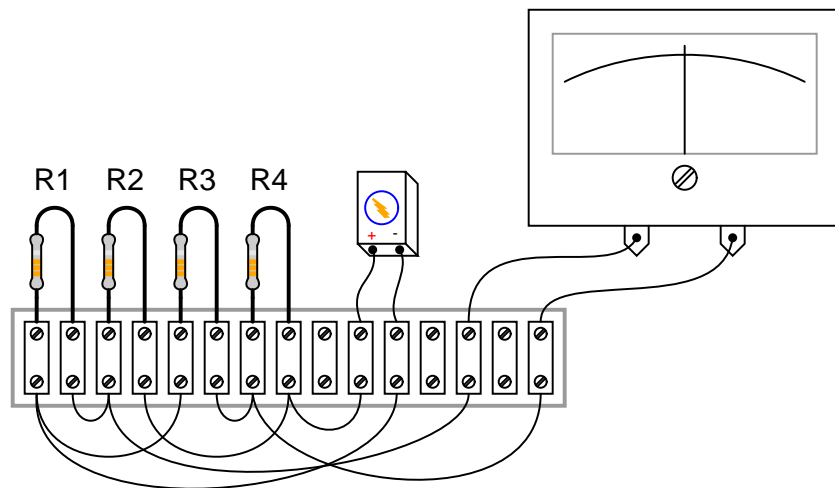
V_{AB} will remain the same as V_{supply} increases.

Answer 8

The potentiometer acts as a complementary pair of resistors: moving the wiper one direction increases the value of one while decrease the value of the other. Thus, it forms a voltage divider with an infinitely adjustable division ratio of 0% to 100%, inclusive.

Answer 9

This, of course, is not the only way to connect the components to make a bridge circuit!



Answer 10

Such a bridge circuit needed to be built with three "standard" resistors, having precisely known resistances. At least one of these resistors needed to be adjustable, with a precision scale attached to it for indication of its resistance at any given position. The source ("excitation") voltage did not have to be precise, and the null meter only had to be sensitive and accurate at zero volts.

Answer 11

The bridge circuit will become more unbalanced, with more strain experienced by the strain gauge. It will not tell you what the voltmeter's *polarity* will be, however!

Answer 12

If the specimen heats up, a voltage will develop between points **A** and **B**, with **A** being positive and **B** being negative.

Answer 13

- Thermistor R_1 fails open: *Voltmeter "pegs" in the negative direction.*
- Thermistor R_3 fails open: *Voltmeter "pegs" in the positive direction.*
- Solder bridge (short) across thermistor R_3 : *Voltmeter "pegs" in the negative direction.*
- Resistor R_2 fails open: *Voltmeter "pegs" in the positive direction.*
- Resistor R_4 fails open: *Voltmeter "pegs" in the negative direction.*

Answer 14

- Photoresistor R_4 fails open: *Test point **B** will be positive with respect to test point **A** (negative).*
- Photoresistor R_3 fails open: *Test point **A** will be positive with respect to test point **B** (negative).*
- Solder bridge (short) across photoresistor R_4 : *Test point **A** will be positive with respect to test point **B** (negative).*
- Resistor R_2 fails open: *Test point **A** will be positive with respect to test point **B** (negative).*
- Resistor R_1 fails open: *Test point **B** will be positive with respect to test point **A** (negative).*

Answer 15

Here are two failures, although they are not the only possibilities:

- R_1 could have failed shorted.
- Photocell R_3 could have failed open.

Answer 16

The "dummy" gauge is attached to the specimen in such a way that it is not subjected to strain like the "working" gauge is. It is merely exposed to the same specimen temperature. The action of this circuit is easiest to comprehend in a scenario where there is no stress applied to the specimen, but its temperature changes.

Follow-up question: suppose the "dummy" strain gauge develops an open failure, so no current may pass through it. Identify the polarity of the voltage drop that will develop across the voltmeter as a result of this fault.

Answer 17

- Resistor R_1 failed open *Not possible*
- Resistor R_1 failed shorted *Possible*
- Resistor R_2 failed open *Possible*
- Resistor R_2 failed shorted *Not possible*
- Strain gauge (measurement) failed open *Possible*
- Strain gauge (measurement) failed shorted *Not possible*
- "Dummy" gauge (temperature compensation) failed open *Not possible*
- "Dummy" gauge (temperature compensation) failed shorted *Possible*
- Voltage source is dead (no voltage output at all) *Not possible*

Follow-up question: identify possible *wire* or *connection* failures in this circuit which could cause the same symptom to manifest.

Answer 18

- Resistor R_1 failed open *Possible*
- Resistor R_1 failed shorted *Not possible*
- Resistor R_2 failed open *Not possible*
- Resistor R_2 failed shorted *Possible*
- Strain gauge (measurement) failed open *Not possible*
- Strain gauge (measurement) failed shorted *Possible*
- "Dummy" gauge (temperature compensation) failed open *Possible*
- "Dummy" gauge (temperature compensation) failed shorted *Not possible*
- Voltage source is dead (no voltage output at all) *Not possible*

Follow-up question: identify possible *wire* or *connection* failures in this circuit which could cause the same symptom to manifest.

Answer 19

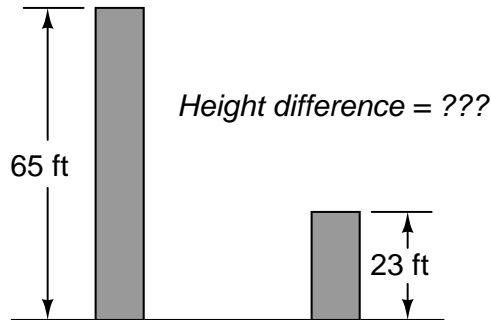
Let the electrons themselves give you the answers to your own "practice problems"!

Notes

Notes 1

In this question, I want students to see how the voltage between the two dividers' output terminals is the difference between their individual output voltages. I also want students to see the notation used to denote the voltages (use of subscripts, with an applied reference point of ground). Although voltage is *always and forever* a quantity between two points, it is appropriate to speak of voltage being "at" a single point in a circuit if there is an implied point of reference (ground).

It is possible to solve for V_{AB} without formally appealing to Kirchhoff's Voltage Law. One way I've found helpful to students is to envision the two voltages (V_A and V_B) as heights of objects, asking the question of "How much height *difference* is there between the two objects?"



The height of each object is analogous to the voltage dropped across each of the lower resistors in the voltage divider circuits. Like voltage, height is a quantity measured *between two points* (the top of the object and ground level). Also like the voltage V_{AB} , the difference in height between the two objects is a measurement taken between two points, and it is also found by subtraction.

Notes 2

In this question, I want students to see how the voltage between the two dividers' output terminals is the difference between their individual output voltages. I also want students to see the notation used to denote the voltages (use of subscripts, with an applied reference point of ground). Although voltage is *always and forever* a quantity between two points, it is appropriate to speak of voltage being "at" a single point in a circuit if there is an implied point of reference (ground).

Notes 3

The follow-up question regarding ratios is a good introduction to the fundamental principle of balanced bridge circuits. Having students work through the calculations together is a good way for them to see the principle for themselves.

It is also important to note in this circuit which ratios are *not* in agreement with each other. You can't just divide these four resistors into any set of two pairs and expect the ratios to equal each other! It is very important for students to see this, as well.

Notes 4

This circuit may be viewed from the perspective of it being two voltage dividers, or from the perspective of being a current divider. Either way, it is a good exercise for you and your students to explore how it functions.

Notes 5

Challenge your students to write a "balance equation" describing how the ratios must relate to each other in order to achieve balance.

Notes 6

Discuss with your students the definition of "sensitivity" with regard to meter movements, and why null meters have to be sensitive in order for the bridge circuit to be accurately balanced. If your students have studied meter movement design, you may wish to challenge them with a question on exactly how a null meter movement might be constructed (i.e. what would have to be done to maximize its sensitivity?).

Notes 7

This question highlights another important concept of bridge circuits, namely that balance is irrespective of supply voltage.

Notes 8

This question showcases one more use of the potentiometer: as a voltage divider used specifically to balance a bridge circuit for any arbitrary values of fixed resistances. If students have difficulty seeing how this is possible, you might want to try representing the pot as a pair of fixed resistors (R_3 and R_4), the wiper position determining the balance of those two resistance values ($R_{pot} = R_1 + R_2$).

Notes 9

Challenge your students to connect the resistors in a manner different from the diagram shown in the answer, to make a bridge circuit. A good way to do this is to project an image of the original components (with no interconnections drawn) on a whiteboard with a video projector, then have students use dry-erase markers to draw the connecting wires in place. If any errors are made, they can be very easily erased without erasing any components themselves.

Notes 10

In the past I've lectured on Wheatstone bridges only to find a fair number of students completely misunderstanding the concept. The fact that a bridge circuit balances when the four arms' resistances are in proportion is the easy part. What these students didn't grasp is *how* such a bridge might be used to actually measure an unknown resistance, or why it was not possible for them to build a laboratory-usable Wheatstone bridge circuit with the cheap resistors found in their parts kits.

For example, when asked how such a bridge circuit might be used, it was not unusual to hear a student respond that they would make one of the arms of the bridge adjustable, *then measure that arm of the bridge with their digital ohmmeter after having achieved balance* in order to calculate the unknown resistance by ratio. Though it may seem humorous to an instructor that someone might not realize the sheer existence of a precise ohmmeter would render the bridge circuit obsolete, it nevertheless revealed to me how foreign the concept of a Wheatstone bridge as a resistance *measuring* circuit is to students working with modern test equipment. Such a technological "generation gap" is not to be underestimated!

In order for students to understand the practicality of a Wheatstone bridge, they need to realize that the only affordable calibration artifacts of the time were standard resistors and standard cells (mercury batteries).

Notes 11

Be sure to have your students explain how they arrived at their answers for polarity across the voltmeter terminals. This is the most important part of the question!

Notes 12

Be sure to have your students explain how they arrived at their answers for polarity across the voltmeter terminals.

Ask your students whether or not the fact of the circuit's sensitivity to temperature invalidates its use as a strain-measuring system. Is it impossible to obtain a reliable measurement of strain, if we know temperature also affects the circuit output voltage? How could we compensate for the effects of temperature on the system?

Notes 13

The purpose of this question is to approach the domain of circuit troubleshooting from a perspective of knowing what the fault is, rather than only knowing what the symptoms are. Although this is not necessarily a realistic perspective, it helps students build the foundational knowledge necessary to diagnose a faulted circuit from empirical data. Questions such as this should be followed (eventually) by other questions asking students to identify likely faults based on measurements.

Notes 14

The purpose of this question is to approach the domain of circuit troubleshooting from a perspective of knowing what the fault is, rather than only knowing what the symptoms are. Although this is not necessarily a realistic perspective, it helps students build the foundational knowledge necessary to diagnose a faulted circuit from empirical data. Questions such as this should be followed (eventually) by other questions asking students to identify likely faults based on measurements.

Notes 15

Be sure to ask your students to describe failures *other* than the two mentioned in the answer. And, for all answers given, be sure to ask students how they determined those faults would cause the observed "negative pegging" of the voltmeter. As usual, the method of solution is much more important than the actual answer in this question.

Notes 16

Because bridge circuits are inherently *differential* circuits, it is possible to perform neat "tricks" such as this where the effects of the undesired influence (temperature) become canceled. Incidentally, the principle of cancellation by differential measurement is one that is very common in electronic systems, especially instrumentation systems.

Notes 17

This question helps students build the skill of eliminating unlikely fault possibilities, allowing them to concentrate instead on what is more likely. An important skill in system troubleshooting is the ability to formulate probabilities for various fault scenarios. Without this skill, you will waste a lot of time looking for unlikely faults, thereby wasting time.

For each fault scenario it is important to ask your students *why* they think it is possible or not possible. It might be that some students get the right answer(s) for the wrong reasons, so it is good to explore the reasoning for each answer.

Notes 18

This question helps students build the skill of eliminating unlikely fault possibilities, allowing them to concentrate instead on what is more likely. An important skill in system troubleshooting is the ability to formulate probabilities for various fault scenarios. Without this skill, you will waste a lot of time looking for unlikely faults, thereby wasting time.

For each fault scenario it is important to ask your students *why* they think it is possible or not possible. It might be that some students get the right answer(s) for the wrong reasons, so it is good to explore the reasoning for each answer.

It has been my experience that students require much practice with circuit analysis to become proficient. To this end, instructors usually provide their students with lots of practice problems to work through, and provide answers for students to check their work against. While this approach makes students proficient in circuit theory, it fails to fully educate them.

Students don't just need mathematical practice. They also need real, hands-on practice building circuits and using test equipment. So, I suggest the following alternative approach: students should *build* their own "practice problems" with real components, and try to mathematically predict the various voltage and current values. This way, the mathematical theory "comes alive," and students gain practical proficiency they wouldn't gain merely by solving equations.

Another reason for following this method of practice is to teach students *scientific method*: the process of testing a hypothesis (in this case, mathematical predictions) by performing a real experiment. Students will also develop real troubleshooting skills as they occasionally make circuit construction errors.

Spend a few moments of time with your class to review some of the "rules" for building circuits before they begin. Discuss these issues with your students in the same Socratic manner you would normally discuss the worksheet questions, rather than simply telling them what they should and should not do. I never cease to be amazed at how poorly students grasp instructions when presented in a typical lecture (instructor monologue) format!

A note to those instructors who may complain about the "wasted" time required to have students build real circuits instead of just mathematically analyzing theoretical circuits:

What is the purpose of students taking your course?

If your students will be working with real circuits, then they should learn on real circuits whenever possible. If your goal is to educate theoretical physicists, then stick with abstract analysis, by all means! But most of us plan for our students to do something in the real world with the education we give them. The "wasted" time spent building real circuits will pay huge dividends when it comes time for them to apply their knowledge to practical problems.

Furthermore, having students build their own practice problems teaches them how to perform *primary research*, thus empowering them to continue their electrical/electronics education autonomously.

In most sciences, realistic experiments are much more difficult and expensive to set up than electrical circuits. Nuclear physics, biology, geology, and chemistry professors would just love to be able to have their students apply advanced mathematics to real experiments posing no safety hazard and costing less than a textbook. They can't, but you can. Exploit the convenience inherent to your science, and *get those students of yours practicing their math on lots of real circuits!*