

Kirchhoff's Laws

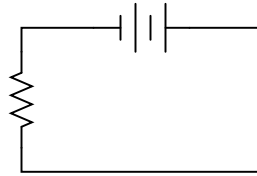
This worksheet and all related files are licensed under the Creative Commons Attribution License, version 1.0. To view a copy of this license, visit <http://creativecommons.org/licenses/by/1.0/>, or send a letter to Creative Commons, 559 Nathan Abbott Way, Stanford, California 94305, USA. The terms and conditions of this license allow for free copying, distribution, and/or modification of all licensed works by the general public.

Resources and methods for learning about these subjects (list a few here, in preparation for your research):

Questions

Question 1

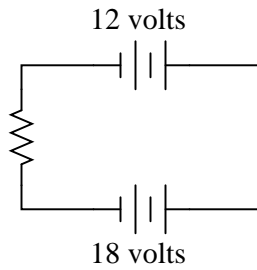
Determine the polarity of voltage across the resistor in this simple circuit, and be prepared to explain *how* you did so:



file 01546

Question 2

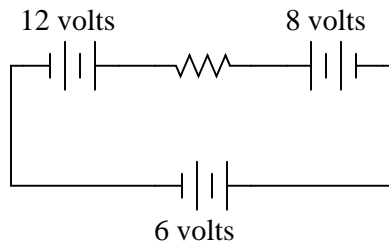
Determine the polarity of voltage across the resistor in this simple circuit, and be prepared to explain *how* you did so:



file 01547

Question 3

Determine both the polarity of voltage across the resistor in this circuit, and how much voltage will be dropped across the resistor:

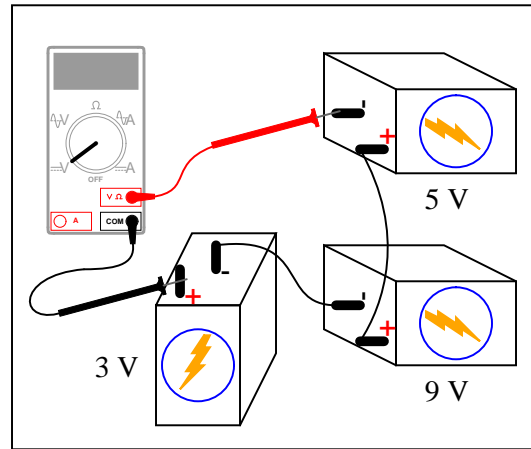
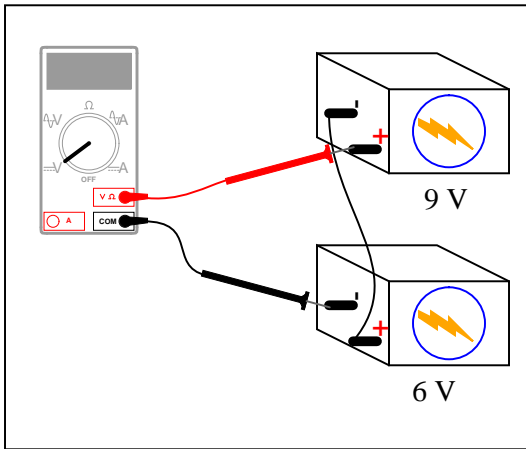
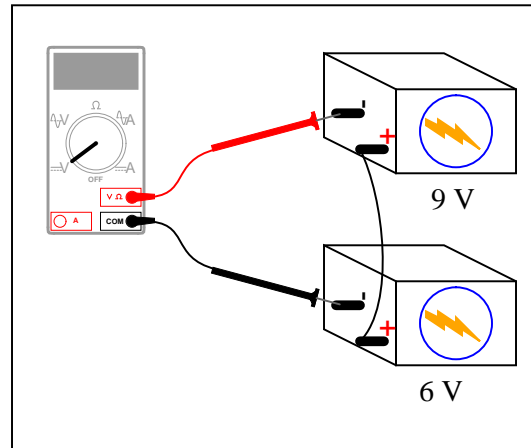
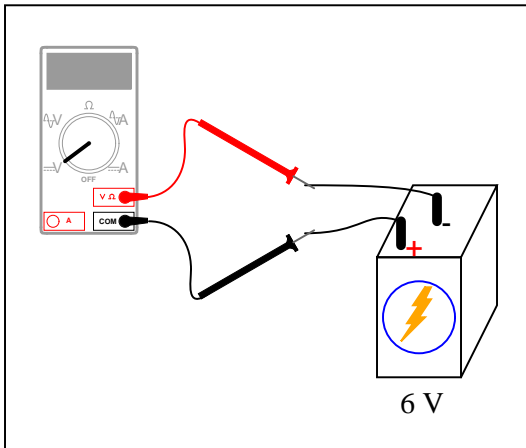


Explain the procedure(s) you used to answer both these questions.

file 01548

Question 4

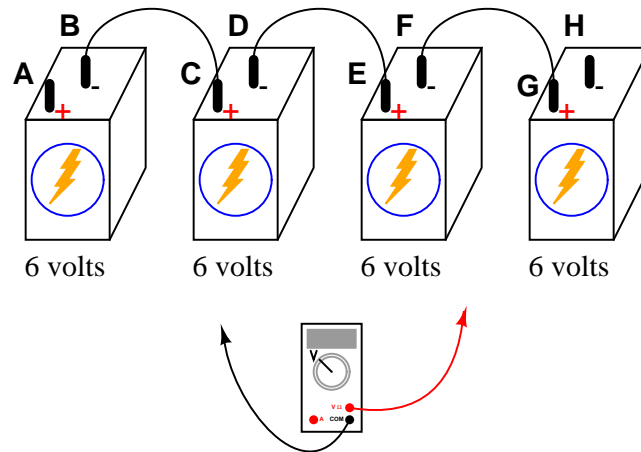
Determine what the magnitude and polarity of the voltmeter's indication will be in each case:



file 03763

Question 5

Determine what a digital voltmeter (DVM) would indicate if connected between the following points in this circuit:

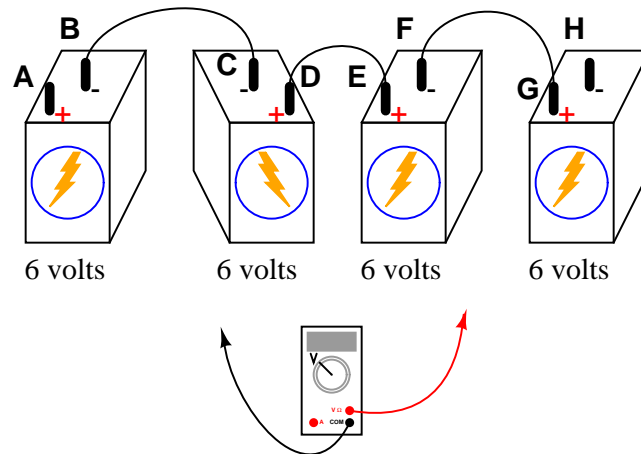


- Red lead on A, black lead on H
- Red lead on C, black lead on G
- Red lead on F, black lead on B
- Red lead on F, black lead on A

[file 00344](#)

Question 6

Determine what a digital voltmeter (DVM) would indicate if connected between the following points in this circuit:



- Red lead on A, black lead on H
- Red lead on C, black lead on G
- Red lead on F, black lead on B
- Red lead on F, black lead on A

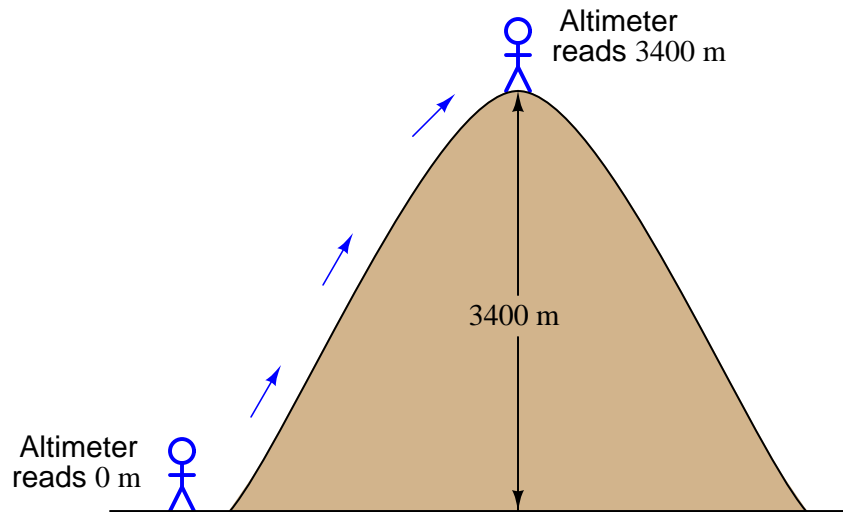
[file 00347](#)

Question 7

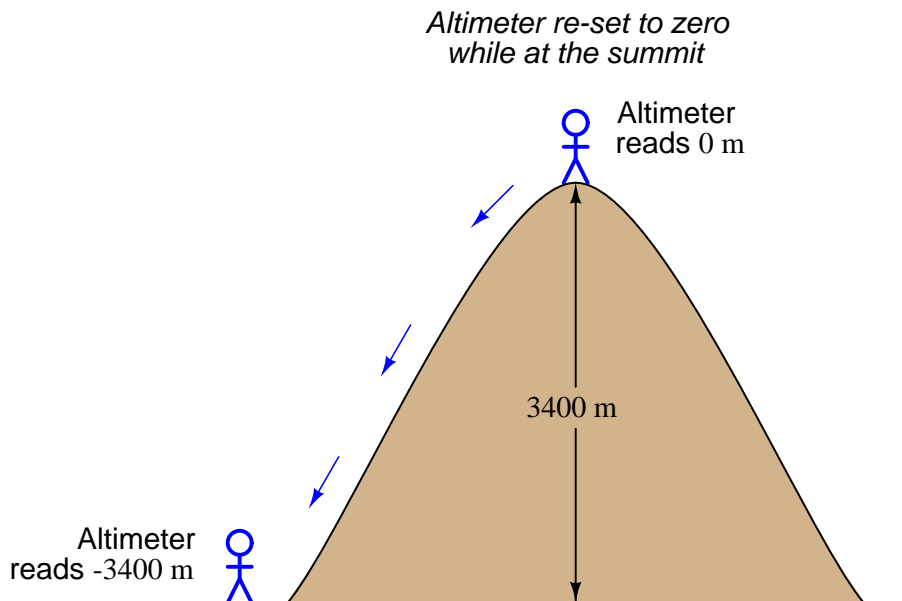
A *barometric altimeter* is a device used to measure altitude (height) by means of atmospheric pressure. The higher you go up from sea level, the less air pressure you encounter. This decrease in air pressure is closely correlated with height, and thus can be used to infer altitude.

This type of altimeter usually comes equipped with a "zero" adjustment, so that the instrument's indication may be offset to compensate for changes in air pressure resulting from different weather conditions. This same "zero" adjustment may also be used to establish the altimeter's zero indication at any arbitrary height.

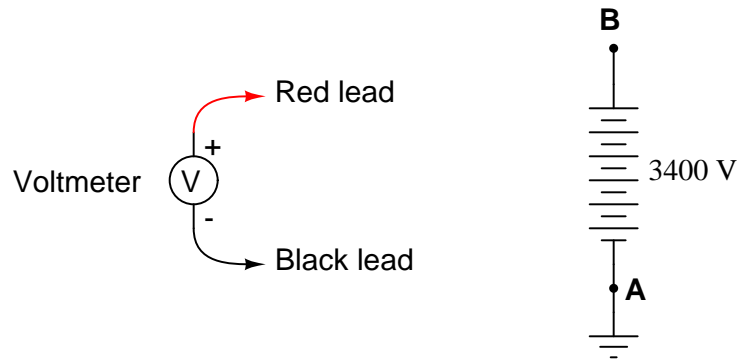
For example, if a mountain climber sets her barometric altimeter to zero meters at the base of a mountain, then climbs to the summit of that mountain (3400 meters higher than the base), the altimeter should register 3400 meters at the summit:



While at the summit, the climber may re-set the altimeter's "zero" adjustment to register 0 meters once again. If the climber then descends to the base of the mountain, the altimeter will register -3400 meters:



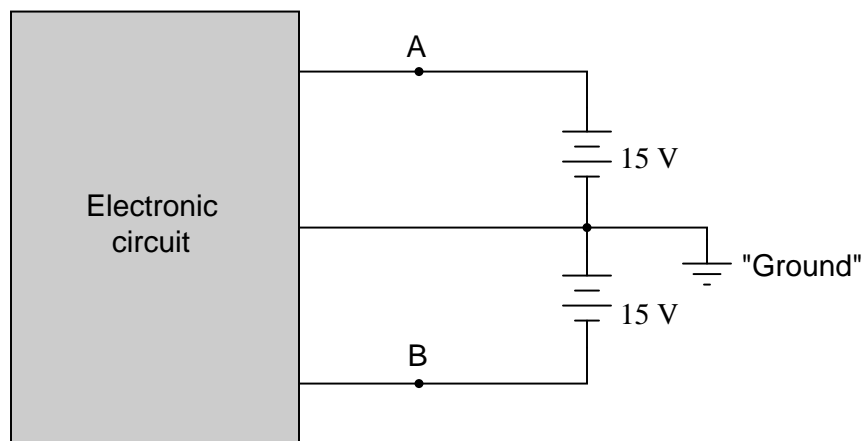
Explain how this scenario of mountain climbing and altimeter calibration relates to the measurement of voltage between points **A** and **B** in the following circuit:



file 01960

Question 8

Many electronic circuits use what is called a *split* or a *dual* power supply:



Determine what a digital voltmeter would indicate if connected between the following points:

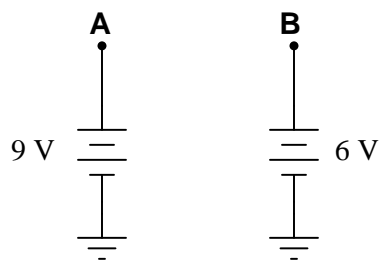
- Red lead on "A", black lead on ground
- Red lead on "B", black lead on ground
- Red lead on "A", black lead on "B"
- Red lead on "B", black lead on "A"

NOTE: *in electronic systems, "ground" is often not associated with an actual earth-soil contact. It usually only refers to a common point of reference somewhere in the circuit used to take voltage measurements. This allows us to specify voltages at single points in the circuit, with the implication that "ground" is the other point for the voltmeter to connect to.*

file 00267

Question 9

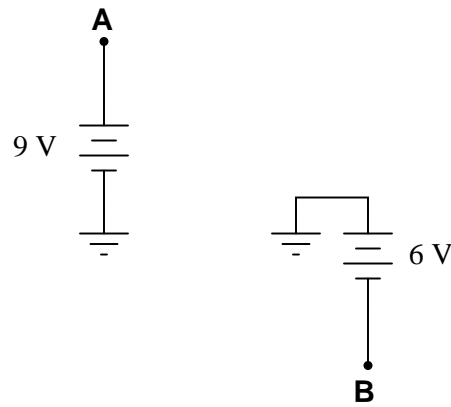
Determine the amount of voltage measured at points **A** and **B** with reference to ground, and also determine voltage V_{AB} (defined here as the voltage indicated by a voltmeter with the red test lead touching point **A** and the black test lead touching point **B**):



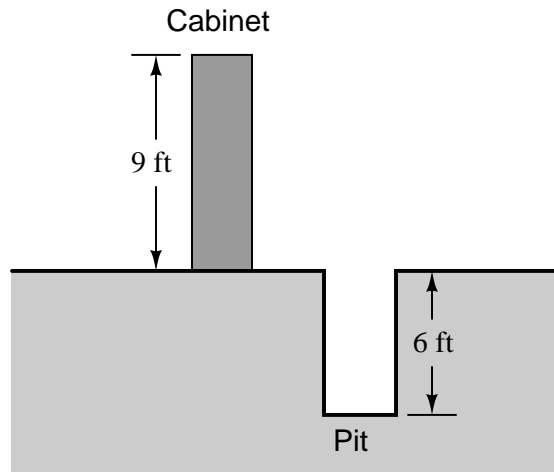
file 01958

Question 10

A student is puzzled by a problem given by her instructor. The task is to determine the voltage V_{AB} (defined by the instructor as the voltage indicated by a voltmeter with the red test lead touching point **A** and the black test lead touching point **B**) in this circuit:



The student has already figured out that $V_A = +9\text{ V}$ and $V_B = -6\text{ V}$, but does not know for certain how to calculate the voltage between points **A** and **B**. Asking her instructor for an explanation, the instructor begins to draw this illustration:



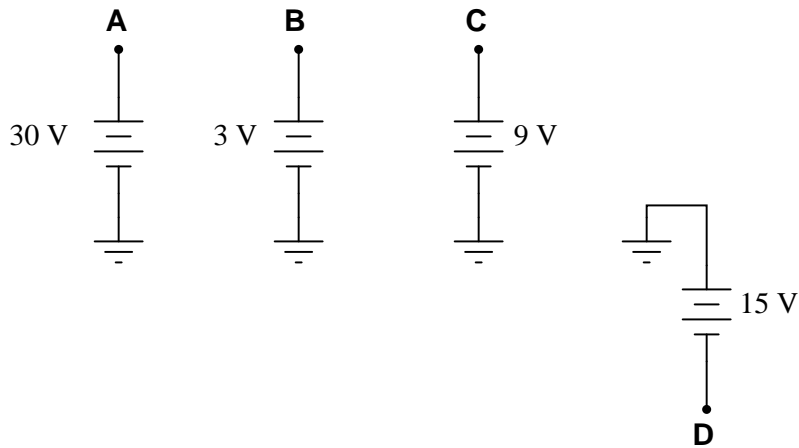
Before the instructor begins to explain what the illustration means, however, he receives a call on his telephone and must leave the student momentarily. The student then asks you to help explain what the instructor's illustration might mean, and how it applies to the problem of determining voltage V_{AB} in the original circuit.

What would your explanation be? Where do you think the instructor was going with this illustration, and how it might relate to voltages in a circuit?

file 01959

Question 11

Determine the voltages registered by a voltmeter between the following points in this circuit:



$V_A = \underline{\hspace{2cm}}$ (red lead on **A**, black lead on ground)

$V_B = \underline{\hspace{2cm}}$ (red lead on **B**, black lead on ground)

$V_C = \underline{\hspace{2cm}}$ (red lead on **C**, black lead on ground)

$V_D = \underline{\hspace{2cm}}$ (red lead on **D**, black lead on ground)

$V_{AC} = \underline{\hspace{2cm}}$ (red lead on **A**, black lead on **C**)

$V_{DB} = \underline{\hspace{2cm}}$ (red lead on **D**, black lead on **B**)

$V_{BA} = \underline{\hspace{2cm}}$ (red lead on **B**, black lead on **A**)

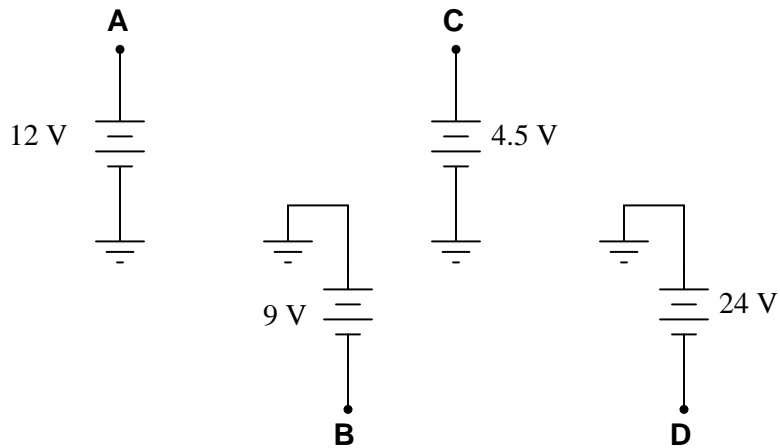
$V_{BC} = \underline{\hspace{2cm}}$ (red lead on **B**, black lead on **C**)

$V_{CD} = \underline{\hspace{2cm}}$ (red lead on **C**, black lead on **D**)

file 02750

Question 12

Determine the voltages registered by a voltmeter between the following points in this circuit:



$V_A = \underline{\hspace{2cm}}$ (red lead on **A**, black lead on ground)

$V_B = \underline{\hspace{2cm}}$ (red lead on **B**, black lead on ground)

$V_C = \underline{\hspace{2cm}}$ (red lead on **C**, black lead on ground)

$V_D = \underline{\hspace{2cm}}$ (red lead on **D**, black lead on ground)

$V_{AC} = \underline{\hspace{2cm}}$ (red lead on **A**, black lead on **C**)

$V_{DB} = \underline{\hspace{2cm}}$ (red lead on **D**, black lead on **B**)

$V_{BA} = \underline{\hspace{2cm}}$ (red lead on **B**, black lead on **A**)

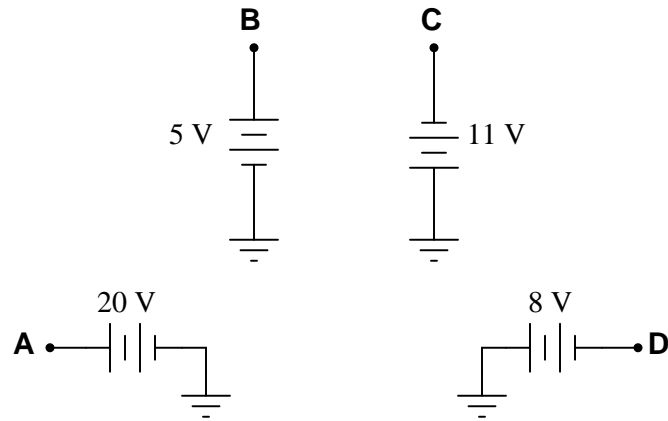
$V_{BC} = \underline{\hspace{2cm}}$ (red lead on **B**, black lead on **C**)

$V_{CD} = \underline{\hspace{2cm}}$ (red lead on **C**, black lead on **D**)

file 01961

Question 13

Determine the voltages registered by a voltmeter between the following points in this circuit:



$V_A = \underline{\hspace{2cm}}$ (red lead on **A**, black lead on ground)

$V_B = \underline{\hspace{2cm}}$ (red lead on **B**, black lead on ground)

$V_C = \underline{\hspace{2cm}}$ (red lead on **C**, black lead on ground)

$V_D = \underline{\hspace{2cm}}$ (red lead on **D**, black lead on ground)

$V_{AC} = \underline{\hspace{2cm}}$ (red lead on **A**, black lead on **C**)

$V_{DB} = \underline{\hspace{2cm}}$ (red lead on **D**, black lead on **B**)

$V_{BA} = \underline{\hspace{2cm}}$ (red lead on **B**, black lead on **A**)

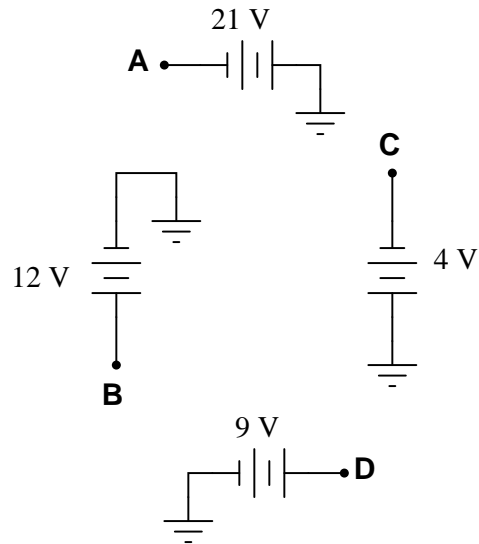
$V_{BC} = \underline{\hspace{2cm}}$ (red lead on **B**, black lead on **C**)

$V_{CD} = \underline{\hspace{2cm}}$ (red lead on **C**, black lead on **D**)

file 02751

Question 14

Determine the voltages registered by a voltmeter between the following points in this circuit:



$V_A = \underline{\hspace{2cm}}$ (red lead on **A**, black lead on ground)

$V_B = \underline{\hspace{2cm}}$ (red lead on **B**, black lead on ground)

$V_C = \underline{\hspace{2cm}}$ (red lead on **C**, black lead on ground)

$V_D = \underline{\hspace{2cm}}$ (red lead on **D**, black lead on ground)

$V_{AC} = \underline{\hspace{2cm}}$ (red lead on **A**, black lead on **C**)

$V_{DB} = \underline{\hspace{2cm}}$ (red lead on **D**, black lead on **B**)

$V_{BA} = \underline{\hspace{2cm}}$ (red lead on **B**, black lead on **A**)

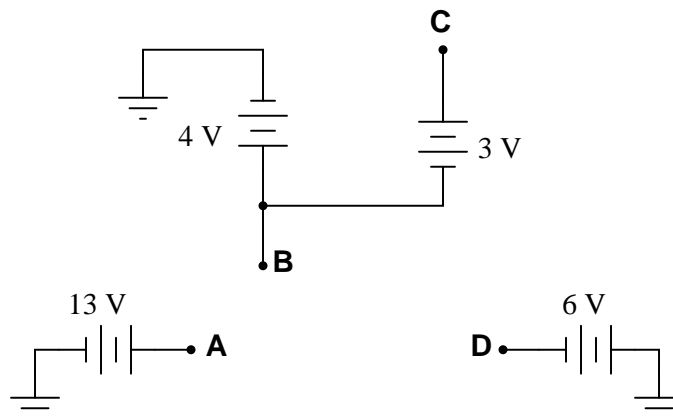
$V_{BC} = \underline{\hspace{2cm}}$ (red lead on **B**, black lead on **C**)

$V_{CD} = \underline{\hspace{2cm}}$ (red lead on **C**, black lead on **D**)

file 02752

Question 15

Determine the voltages registered by a voltmeter between the following points in this circuit:



$V_A = \underline{\hspace{2cm}}$ (red lead on **A**, black lead on ground)

$V_B = \underline{\hspace{2cm}}$ (red lead on **B**, black lead on ground)

$V_C = \underline{\hspace{2cm}}$ (red lead on **C**, black lead on ground)

$V_D = \underline{\hspace{2cm}}$ (red lead on **D**, black lead on ground)

$V_{AC} = \underline{\hspace{2cm}}$ (red lead on **A**, black lead on **C**)

$V_{DB} = \underline{\hspace{2cm}}$ (red lead on **D**, black lead on **B**)

$V_{BA} = \underline{\hspace{2cm}}$ (red lead on **B**, black lead on **A**)

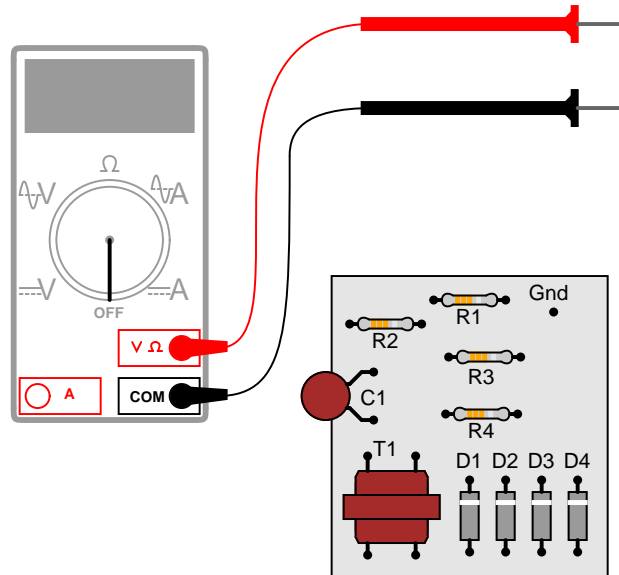
$V_{BC} = \underline{\hspace{2cm}}$ (red lead on **B**, black lead on **C**)

$V_{CD} = \underline{\hspace{2cm}}$ (red lead on **C**, black lead on **D**)

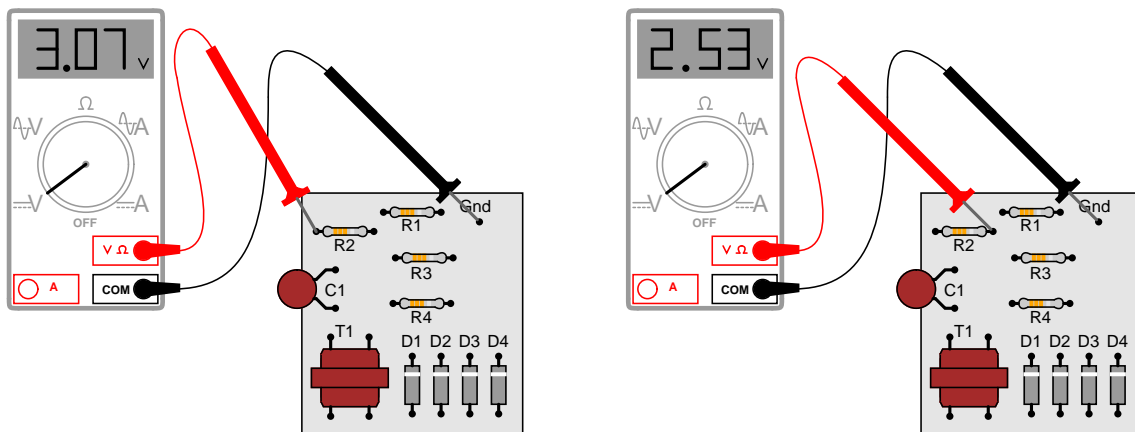
[file 03844](#)

Question 16

Suppose you wanted to measure the amount of current going through resistor R2 on this printed circuit board, but did not have the luxury of breaking the circuit to do so (unsoldering one end of the resistor, detaching it from the PCB, and connecting an ammeter in series). All you can do while the circuit is powered is measure voltage with a voltmeter:



So, you decide to touch the black probe of the voltmeter to the circuit's "Gnd" (ground) test point, and measure the voltage with reference to ground on both sides of R2. The results are shown here:

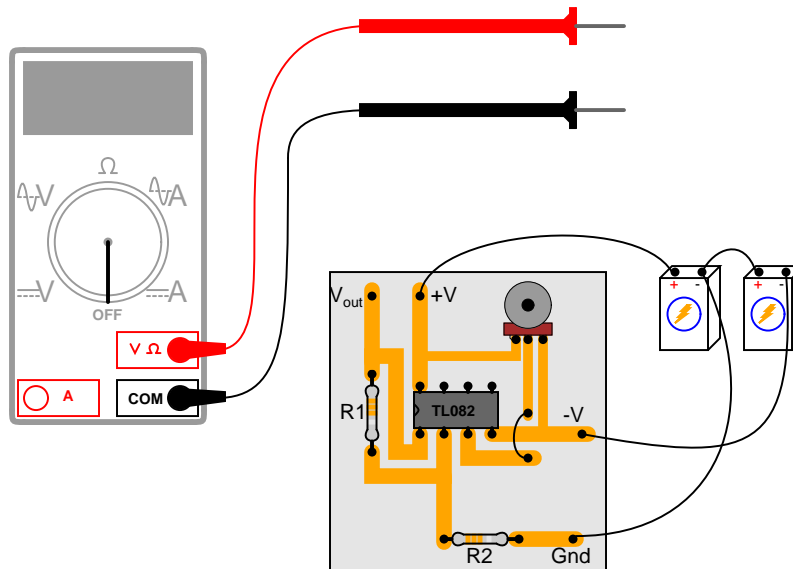


R2's color code is Orange, Orange, Red, Gold. Based on this information, determine both the direction and the magnitude of DC current through resistor R2, and explain how you did so.

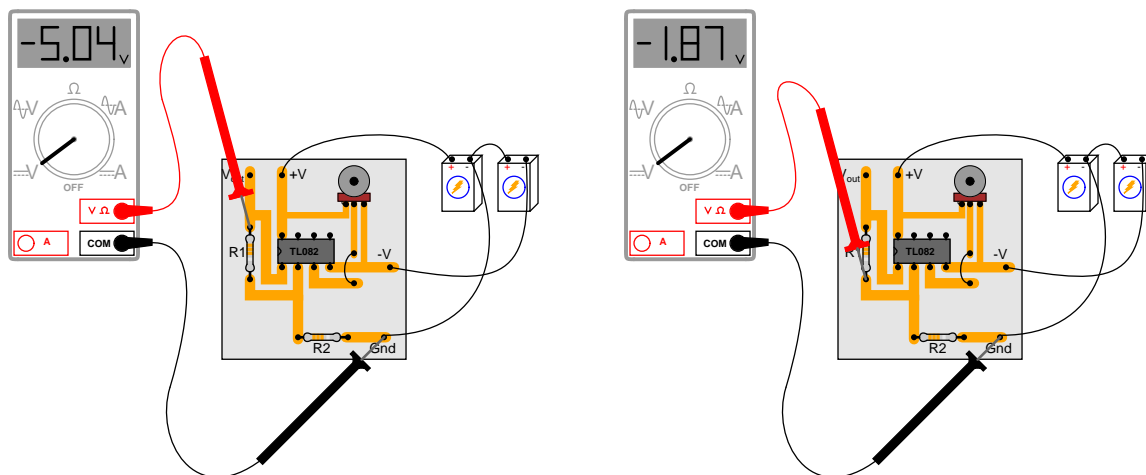
[file 01729](#)

Question 17

Suppose a technician is checking the operation of the following electronic circuit:



She decides to measure the voltage on either side of resistor R1 with reference to ground, and obtains these readings:



On the top side of R1, the voltage with reference to ground is -5.04 volts. On the bottom side of R1, the voltage with reference to ground is -1.87 volts. The color code of resistor R1 is Yellow, Violet, Orange, Gold. From this information, determine the following:

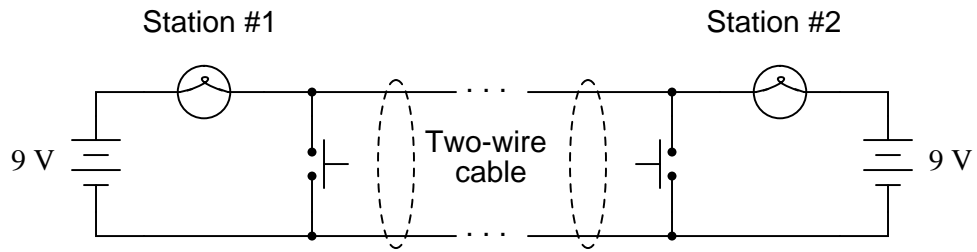
- Voltage across R1 (between top to bottom):
- Polarity (+ and -) of voltage across R1:
- Current (magnitude) through R1:
- Direction of current through R1:

Additionally, explain how this technician would make each one of these determinations. What rules or laws of electric circuits would she apply?

file 02733

Question 18

Shown here is a simple telegraph circuit:

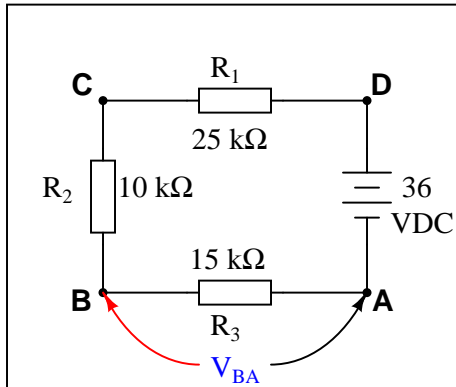


Explain why the lamps energize when either pushbutton is actuated, and why they de-energize when both pushbuttons are open (despite there being an unbroken circuit connecting both lamps and both batteries).
[file 00920](#)

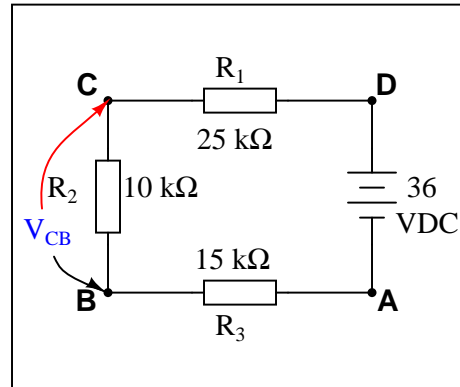
Question 19

Imagine you are using a digital voltmeter to measure voltages between pairs of points in a circuit, following the sequence of steps shown in these diagrams:

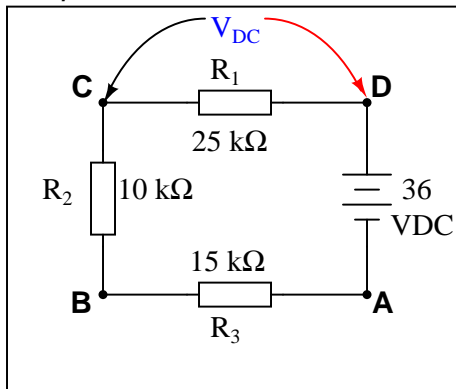
Step 1



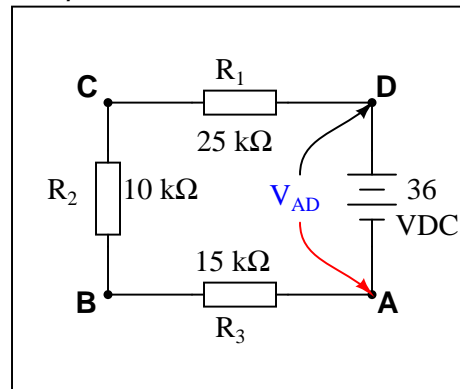
Step 2



Step 3



Step 4



How much voltage would be registered by the voltmeter in each of the steps? Be sure to include the sign of the DC voltage measured (note the coloring of the voltmeter leads, with the red lead always on the first point denoted in the subscript: V_{BA} = red lead on "B" and black lead on "A"):

- $V_{BA} =$
- $V_{CB} =$
- $V_{DC} =$
- $V_{AD} =$

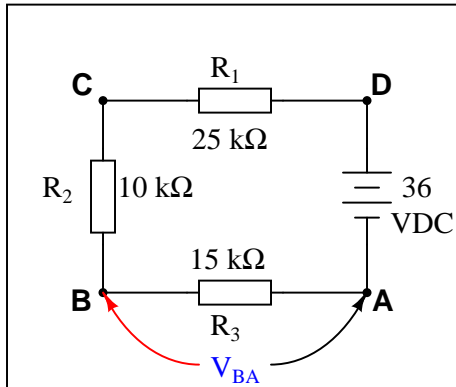
What is the algebraic sum of these voltages?

[file 00345](#)

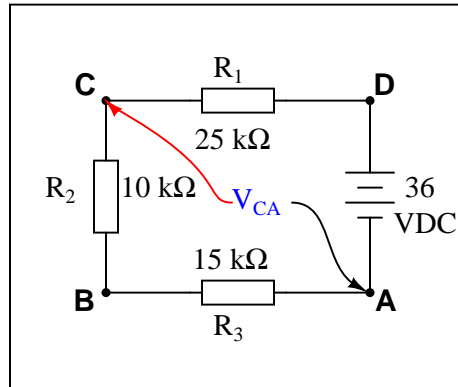
Question 20

Imagine you are using a digital voltmeter to measure voltages between pairs of points in a circuit, following the sequence of steps shown in these diagrams:

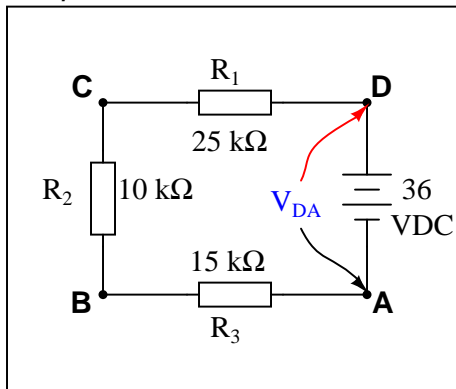
Step 1



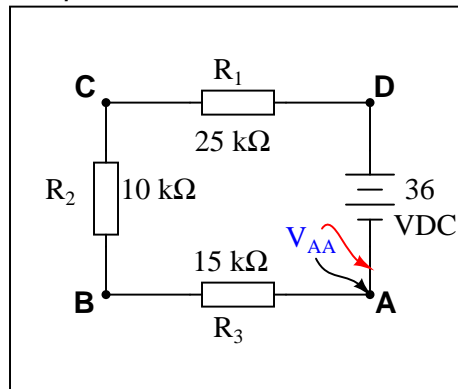
Step 2



Step 3



Step 4



How much voltage would be registered by the voltmeter in each of the steps? Be sure to include the sign of the DC voltage measured (note the coloring of the voltmeter leads, with the red lead always on the first point denoted in the subscript: V_{BA} = red lead on "B" and black lead on "A"):

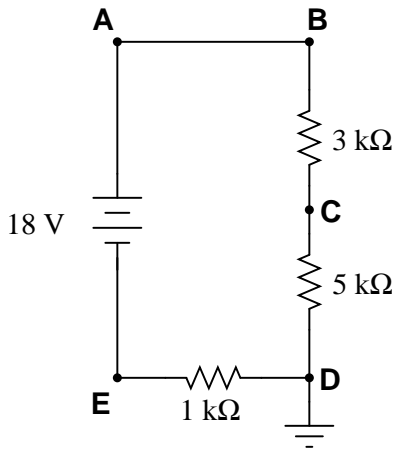
- $V_{BA} =$
- $V_{CA} =$
- $V_{DA} =$
- $V_{AA} =$

Challenge question: how do these voltage measurements *prove* Kirchhoff's Voltage Law, where the algebraic sum of all voltages in a loop equals 0 volts?

[file 00348](#)

Question 21

Identify each of the specified voltages in the following circuit. The subscripts refer to the specific test points (where the red test lead of the voltmeter touches the circuit), while ground is the point where the voltmeter's black lead is assumed to be attached:



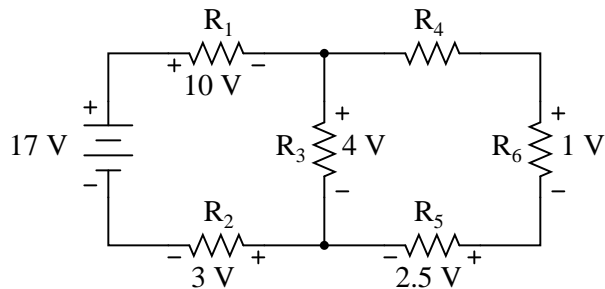
For example, V_B means the voltage indicated by a voltmeter with the red test lead touching point B and the black test lead touching ground.

- $V_A =$
- $V_B =$
- $V_C =$
- $V_D =$
- $V_E =$

[file 03250](#)

Question 22

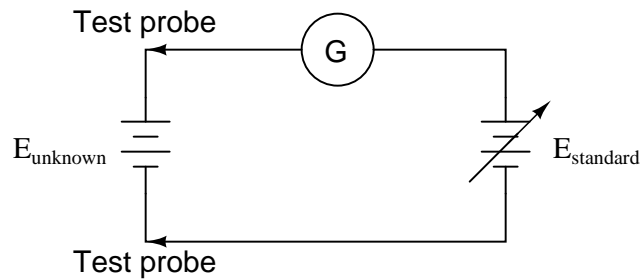
Use Kirchhoff's Voltage Law to calculate the magnitude and polarity of the voltage across resistor R_4 in this resistor network:



[file 01728](#)

Question 23

A very old but highly accurate technique for measuring voltage is to use a sensitive meter (a *galvanometer*) as a "balance" indicator between two voltage sources: the unknown source and a calibrated, adjustable source called the *standard*:



The technique is to adjust the standard voltage source until the galvanometer registers exactly zero. When this condition is met, the system is said to be "balanced," indicating that the two voltage sources are equal in magnitude to each other. This voltage magnitude is then read from the calibrated adjustment dial on the standard source.

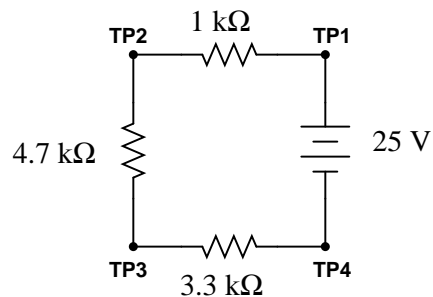
Explain how this voltage measurement technique exploits Kirchhoff's Voltage Law, which states that the algebraic sum of all voltages in a loop must equal zero:

$$E_{\Sigma(\text{loop})} = 0$$

[file 01730](#)

Question 24

Calculate the amount of voltage between test points TP1 and TP3, and also the amount of voltage between test points TP2 and TP4:

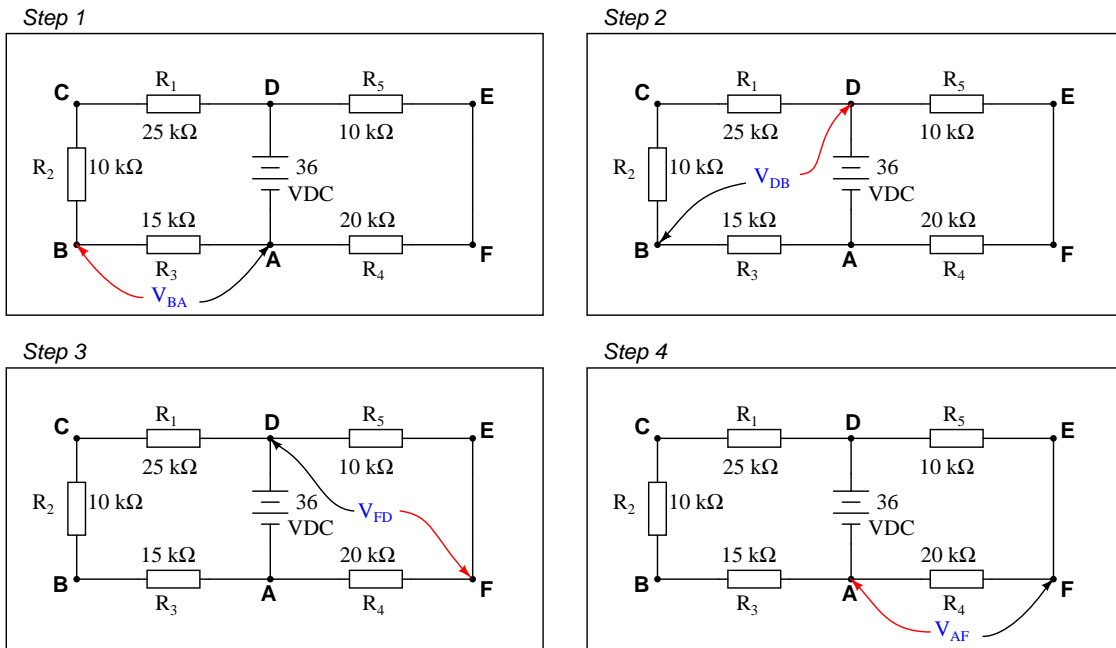


$$V_{TP1-TP3} = \quad V_{TP2-TP4} =$$

[file 03251](#)

Question 25

Imagine you are using a digital voltmeter to measure voltages between pairs of points in a circuit, following the sequence of steps shown in the following diagrams:



How much voltage would be registered by the voltmeter in each of the steps? Be sure to include the sign of the DC voltage measured (note the coloring of the voltmeter leads, with the red lead always on the first point denoted in the subscript: V_{BA} = red lead on "B" and black lead on "A"):

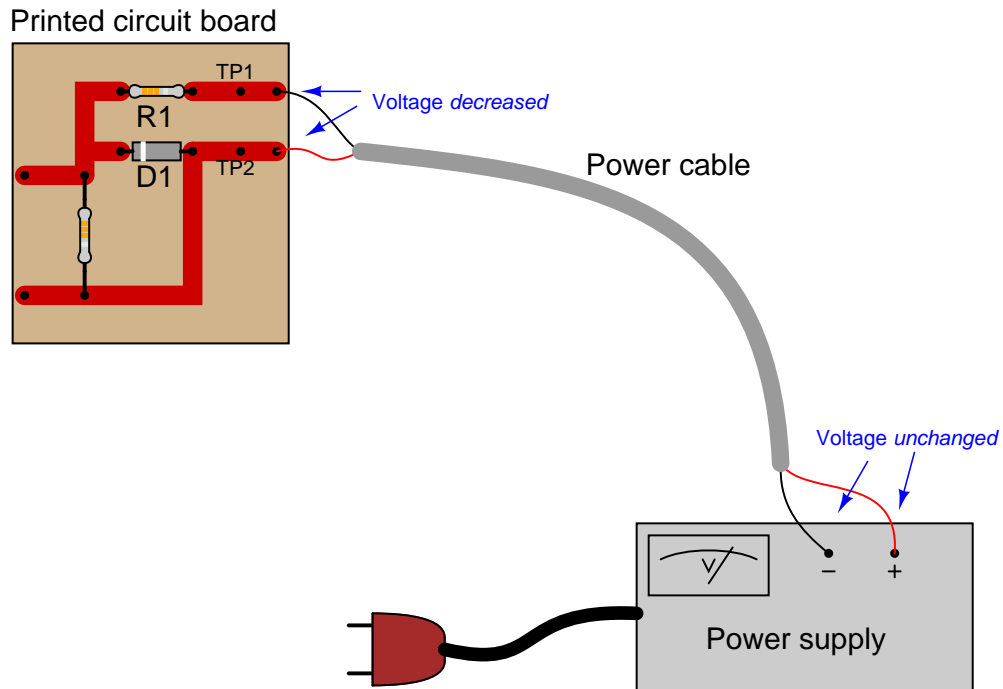
- $V_{BA} =$
- $V_{DB} =$
- $V_{FD} =$
- $V_{AF} =$

What is the algebraic sum of these voltages?

file 00346

Question 26

Suppose you were measuring the voltage between "test points" TP1 and TP2 on this printed circuit board, where the circuit receives DC power from a voltage source. Suddenly, this voltage decreases. Wondering if perhaps the power supply voltage itself decreased, you go back to measure its output voltage and find that it is unchanged from before:

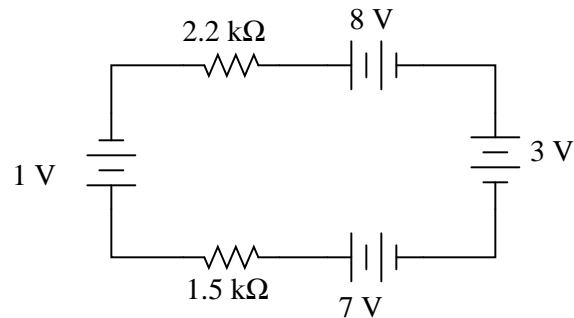


Based on your knowledge of Kirchhoff's Voltage Law, what must have happened to cause the voltage between TP1 and TP2 on the circuit board to suddenly decrease, given the power supply's stable voltage output? Hint: the components on the circuit board are irrelevant to the answer!

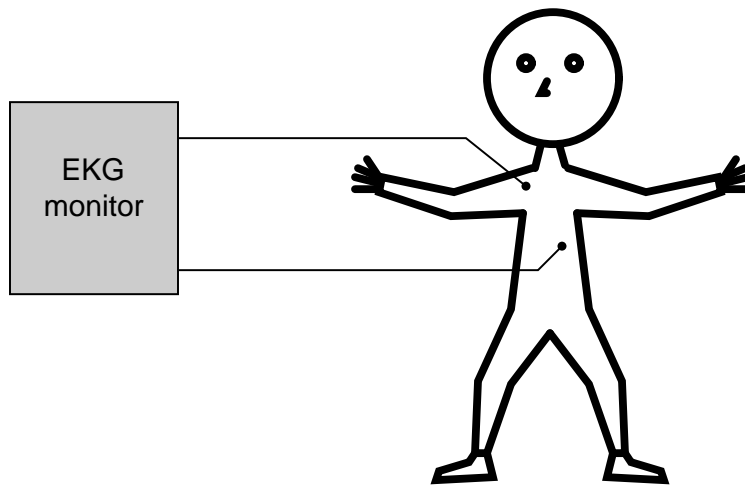
[file 00349](#)

Question 27

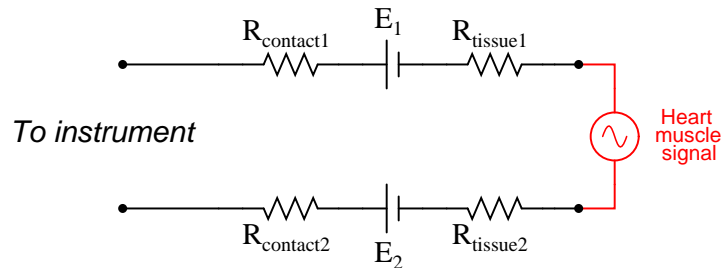
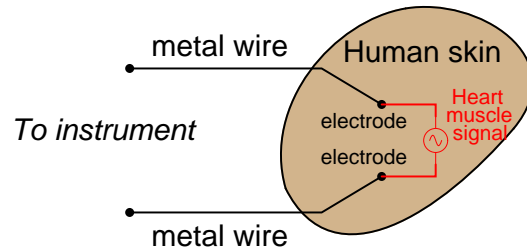
When electricity and electronics students begin learning about series circuits and Kirchhoff's Voltage Law, they are often mercilessly subjected to circuits such as this:



A common (and legitimate!) question asked by students is, "Where would we ever encounter a circuit such as this, with batteries *opposing* each other?" In practice, it is rare to find electrochemical batteries intentionally connected in such a manner, with some aiding and some opposing. However, there are many practical applications where the voltages involved are not intentional, but rather are unavoidable potentials created by junctions of dissimilar materials. Take for instance the application of EKG (electrocardiogram) measurements, where metal electrodes must be placed in contact with a human body to intercept tiny voltage signals from the contracting heart muscles:



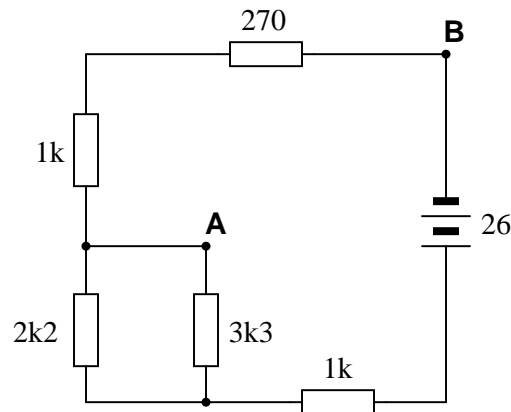
A junction of metal wire to human skin is surprisingly complex from an electrical perspective, and may be approximately modeled by the following collection of idealized components:



Resistors $R_{contact1}$ and $R_{contact2}$ represent electrical resistance between the metal electrodes and skin at the point of contact. Resistors $R_{tissue1}$ and $R_{tissue2}$ represent electrical resistance of human tissue between the points of electrode contact and the actual heart muscle. The two series-opposing potentials (E_1 and E_2) are not intentional, but rather the result of electrochemical action between the metal electrode surfaces and human skin. They cannot be eliminated, but their combined effect is minimal because they are approximately equal in magnitude. Explain how Kirchhoff's Voltage Law applies to this equivalent circuit, especially how the biomedical instrument "sees" only the heart muscle voltage signal and neither of the skin-contact potentials.
[file 03007](#)

Question 28

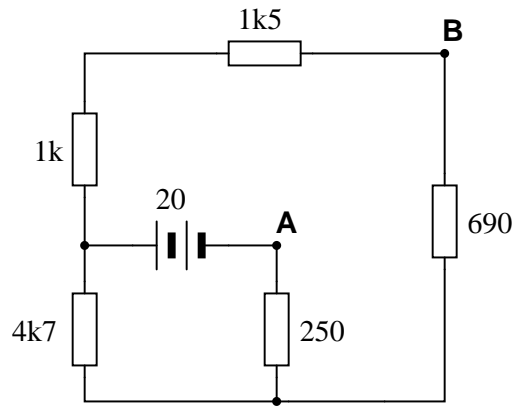
Calculate the amount of voltage between points **A** and **B** in this circuit. Be sure to identify polarity as well as magnitude:



[file 04045](#)

Question 29

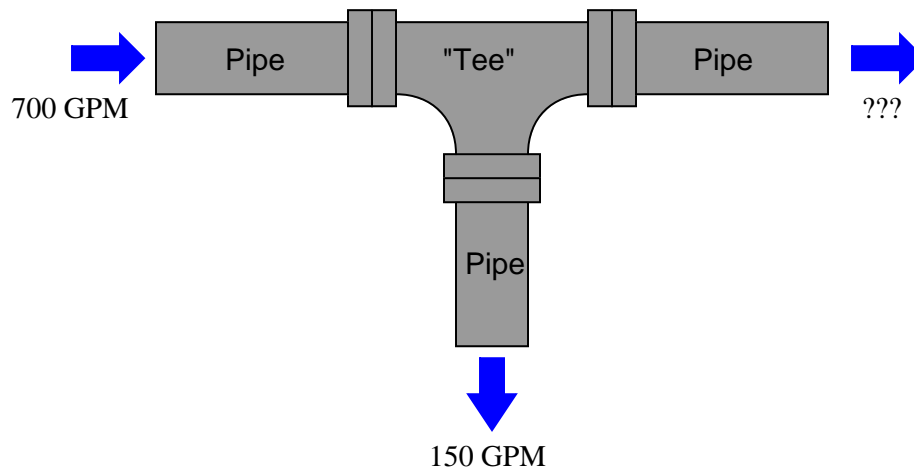
Calculate the amount of voltage between points **A** and **B** in this circuit. Be sure to identify polarity as well as magnitude:



file 04046

Question 30

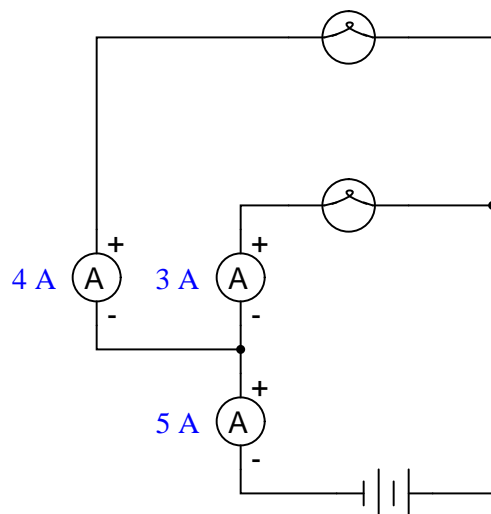
How much water *must* flow out of the pipe with the question-mark symbols next to it?



Explain how this hydraulic example relates to Kirchhoff's Current Law (KCL) in an electric circuit.
file 00350

Question 31

In this circuit there is at least one ammeter that is not reading correctly:



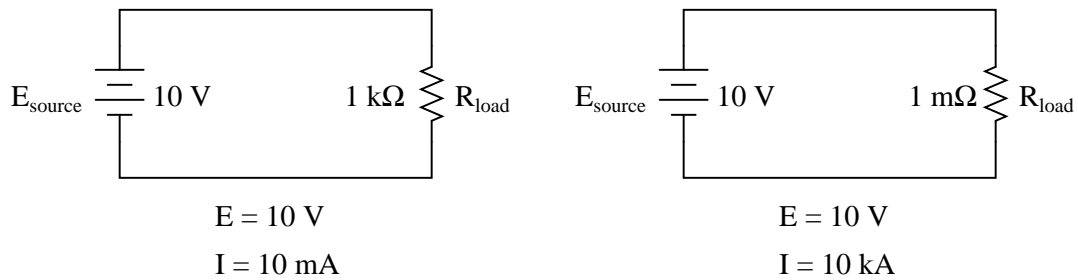
Apply Kirchhoff's Current Law to this circuit to prove why all three current measurements shown here cannot be correct.

[file 01742](#)

Question 32

A *voltage source* is a source of electricity that (ideally) outputs a constant voltage. That is, a perfect voltage source will hold its output voltage constant regardless of the load imposed upon it:

Ideal voltage sources assumed



In real life, there is no such thing as a perfect voltage source, but sources having extremely low internal resistance come close.

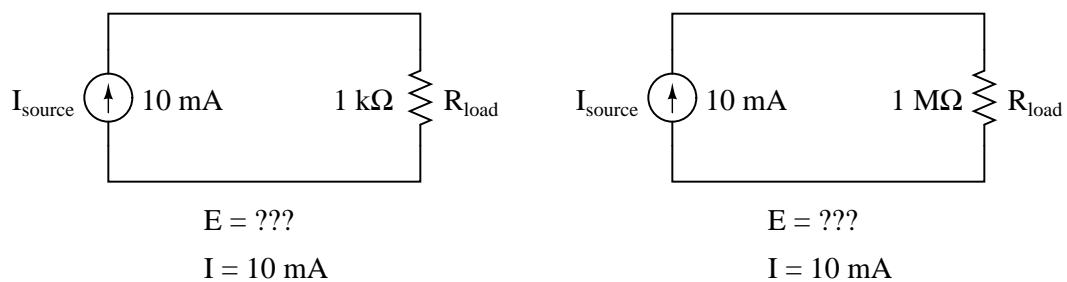
Another type of electricity source is the *current source*, which (ideally) outputs a constant current regardless of the load imposed upon it. A common symbol for a current source is a circle with an arrow inside (always pointing in the direction of conventional flow, not electron flow!). Another symbol is two intersecting circles, with an arrow nearby pointing in the direction of conventional flow:

Current sources



Predict how an ideal current source would behave for the following two load scenarios:

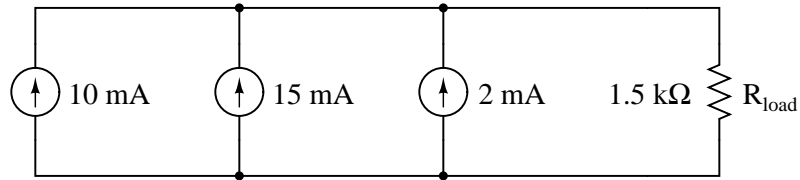
Ideal current sources assumed



file 01735

Question 33

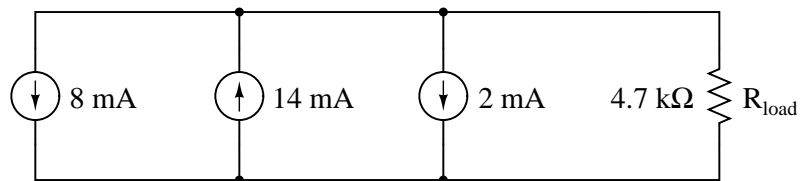
Calculate the total current output to the load resistor by this set of parallel-connected current sources:



Also, calculate the voltage dropped across R_{load} .
[file 01736](#)

Question 34

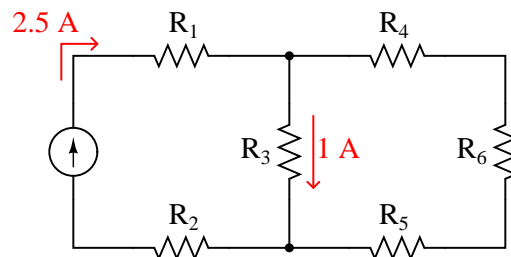
Calculate the total current output to the load resistor by this set of parallel-connected current sources:



Also, calculate the voltage dropped across R_{load} .
[file 01737](#)

Question 35

Use Kirchhoff's Current Law to calculate the magnitude and direction of the current through resistor R_4 in this resistor network:

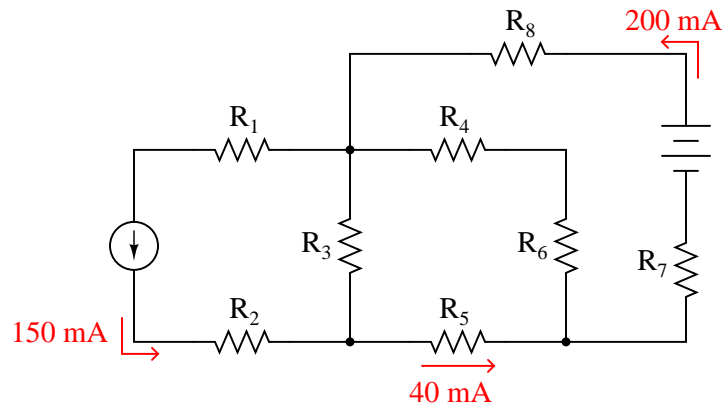


Note: all current arrows point in the direction of conventional flow!

[file 01740](#)

Question 36

Use Kirchhoff's Current Law to calculate the magnitudes and directions of currents through *all* resistors in this circuit:

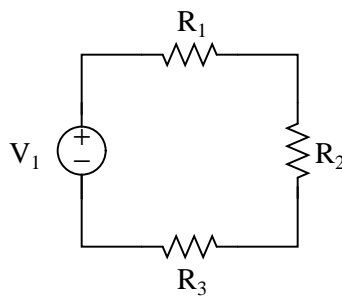


Note: all current arrows point in the direction of conventional flow!

file 01741

Question 37

Predict how all component voltages and currents in this circuit will be affected as a result of the following faults. Consider each fault independently (i.e. one at a time, no multiple faults):



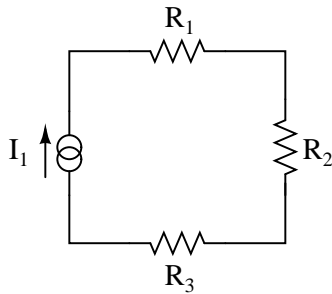
- Voltage source V_1 fails with increased output:
- Solder bridge (short) across resistor R_1 :
- Solder bridge (short) across resistor R_2 :
- Resistor R_3 fails open:

For each of these conditions, explain *why* the resulting effects will occur.

file 03935

Question 38

Predict how all component voltages and currents in this circuit will be affected as a result of the following faults. Consider each fault independently (i.e. one at a time, no multiple faults):



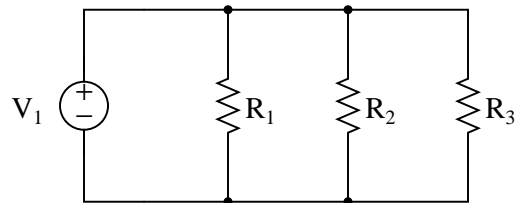
- Current source I_1 fails with increased output:
- Solder bridge (short) across resistor R_1 :
- Solder bridge (short) across resistor R_2 :
- Resistor R_3 fails open:

For each of these conditions, explain *why* the resulting effects will occur.

[file 03934](#)

Question 39

Predict how all component voltages and currents in this circuit will be affected as a result of the following faults. Consider each fault independently (i.e. one at a time, no multiple faults):



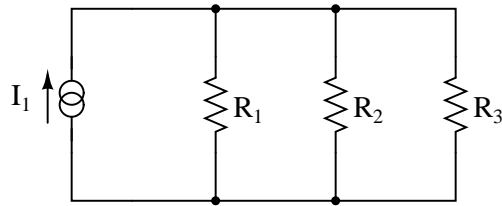
- Voltage source V_1 fails with increased output:
- Resistor R_1 fails open:
- Resistor R_3 fails open:
- Solder bridge (short) across resistor R_2 :

For each of these conditions, explain *why* the resulting effects will occur.

[file 03936](#)

Question 40

Predict how all component voltages and currents in this circuit will be affected as a result of the following faults. Consider each fault independently (i.e. one at a time, no multiple faults):

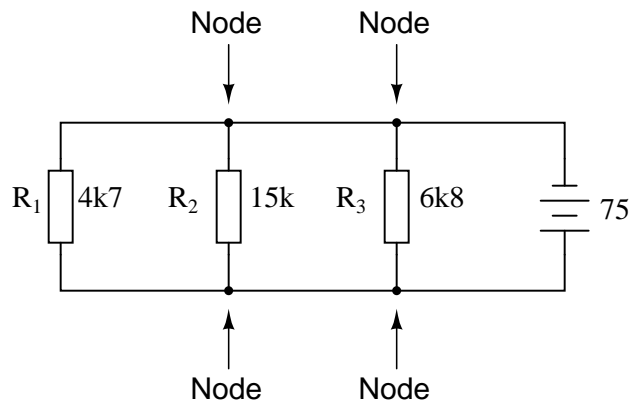


- Current source I_1 fails with increased output:
- Resistor R_1 fails open:
- Resistor R_3 fails open:
- Solder bridge (short) across resistor R_2 :

For each of these conditions, explain *why* the resulting effects will occur.
[file 03937](#)

Question 41

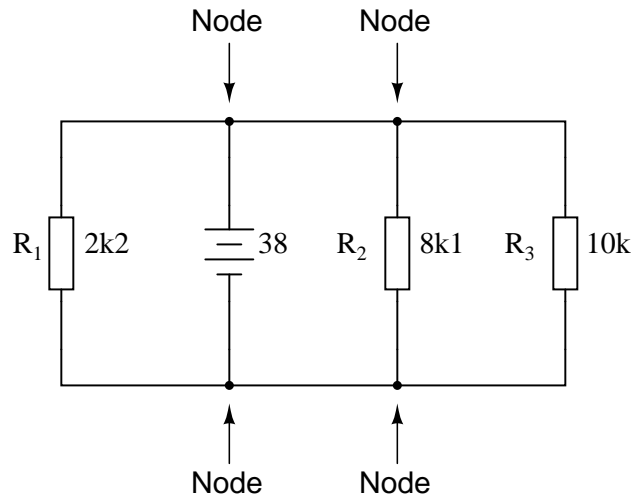
Calculate and label the currents at each node (junction point) in this circuit:



[file 01744](#)

Question 42

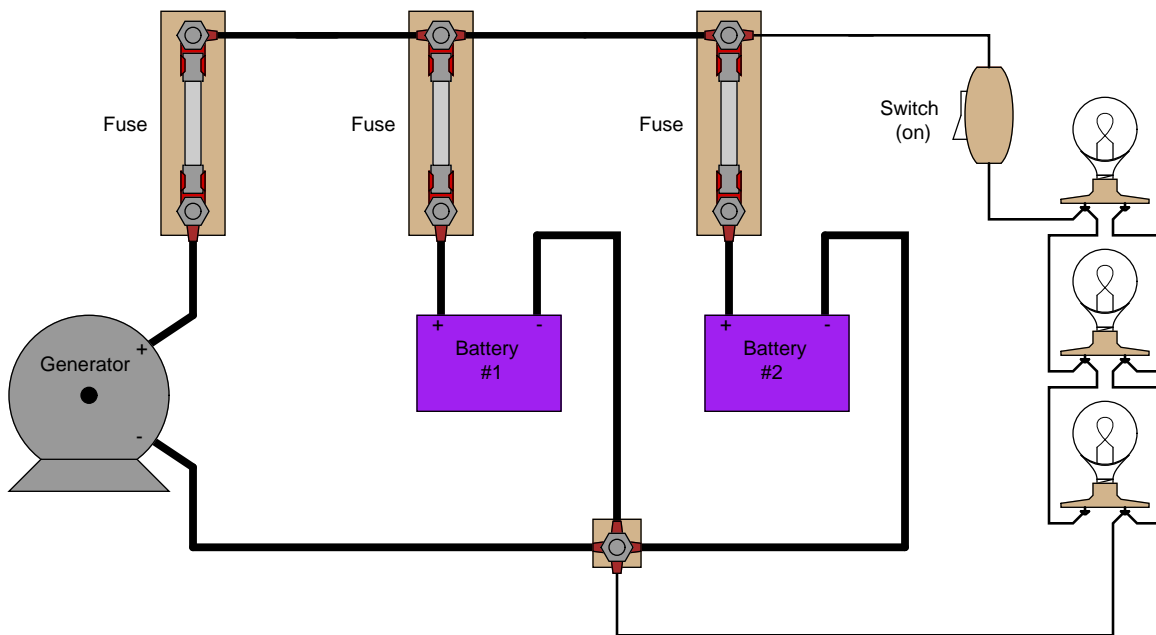
Calculate and label the currents at each node (junction point) in this circuit:



file 01746

Question 43

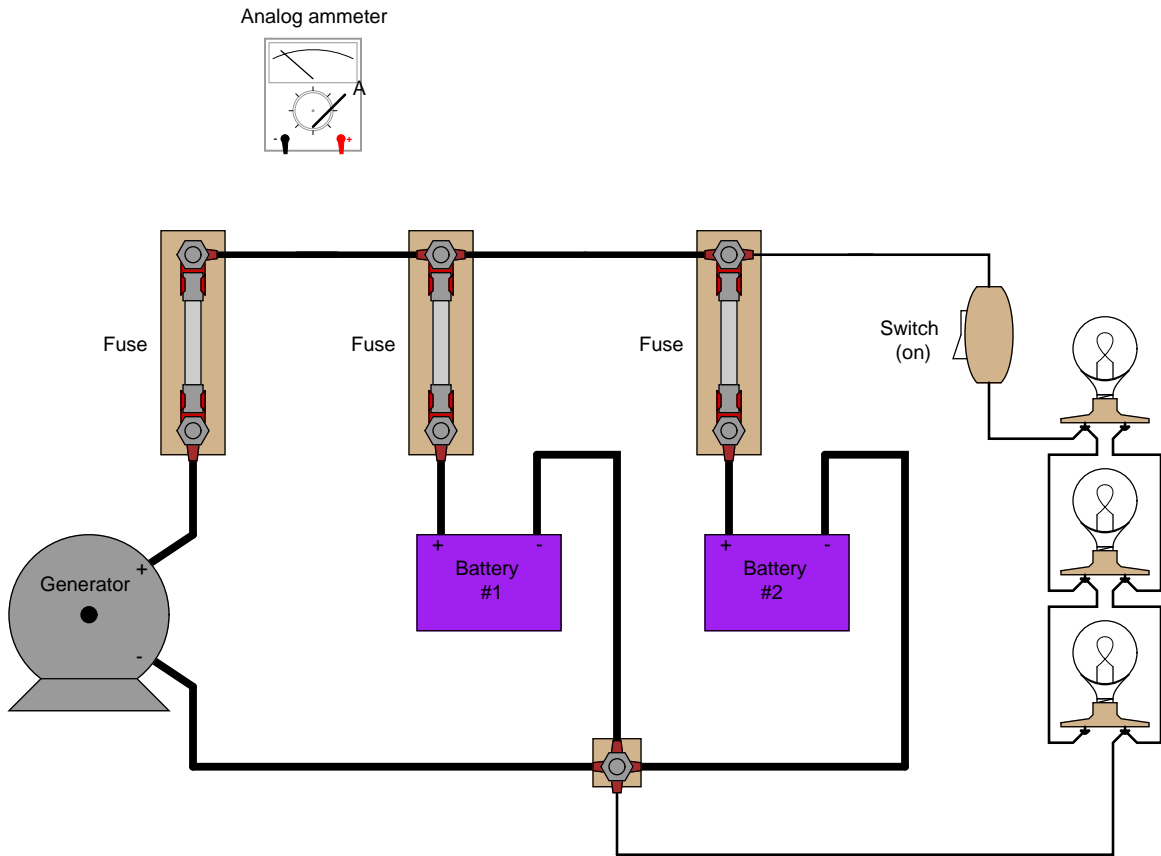
Determine the current through battery #2 in this power system, if the generator is outputting 50 amps, battery #1 is charging at a rate of 22 amps, and the light bulbs draw 5 amps of current each. Be sure to indicate whether battery #2 is charging or discharging:



file 00351

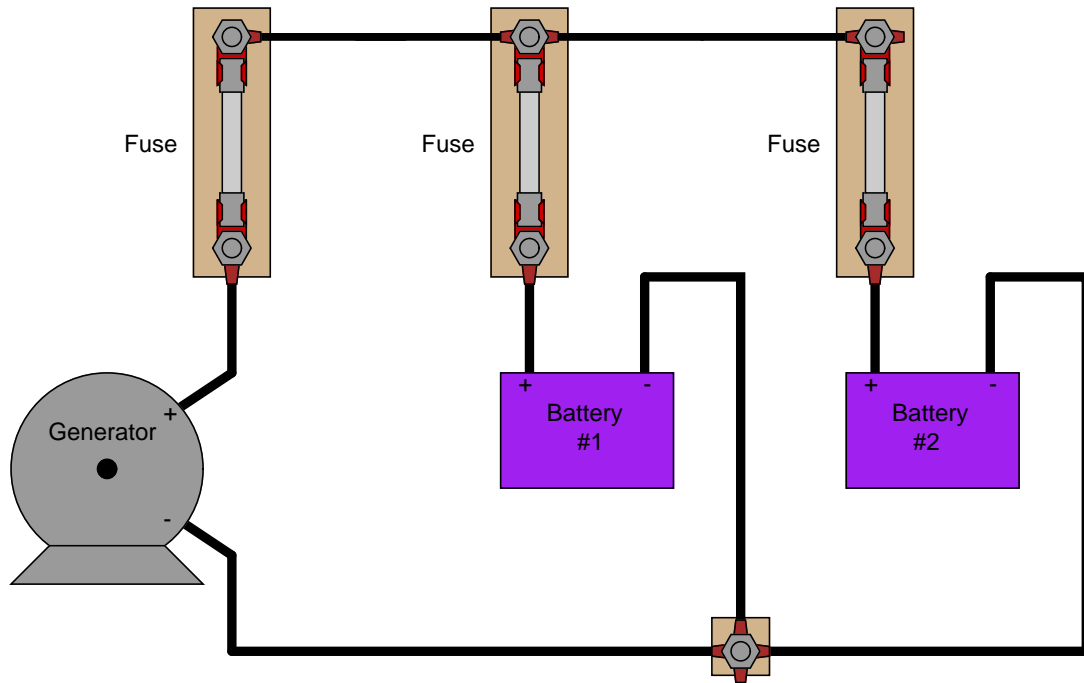
Question 44

Explain how an analog ammeter could be used to measure the current output of the generator in this circuit, as it charges the two batteries and energizes the three light bulbs. Be sure to connect the ammeter in such a way that the meter needle does not drive "downscale"!



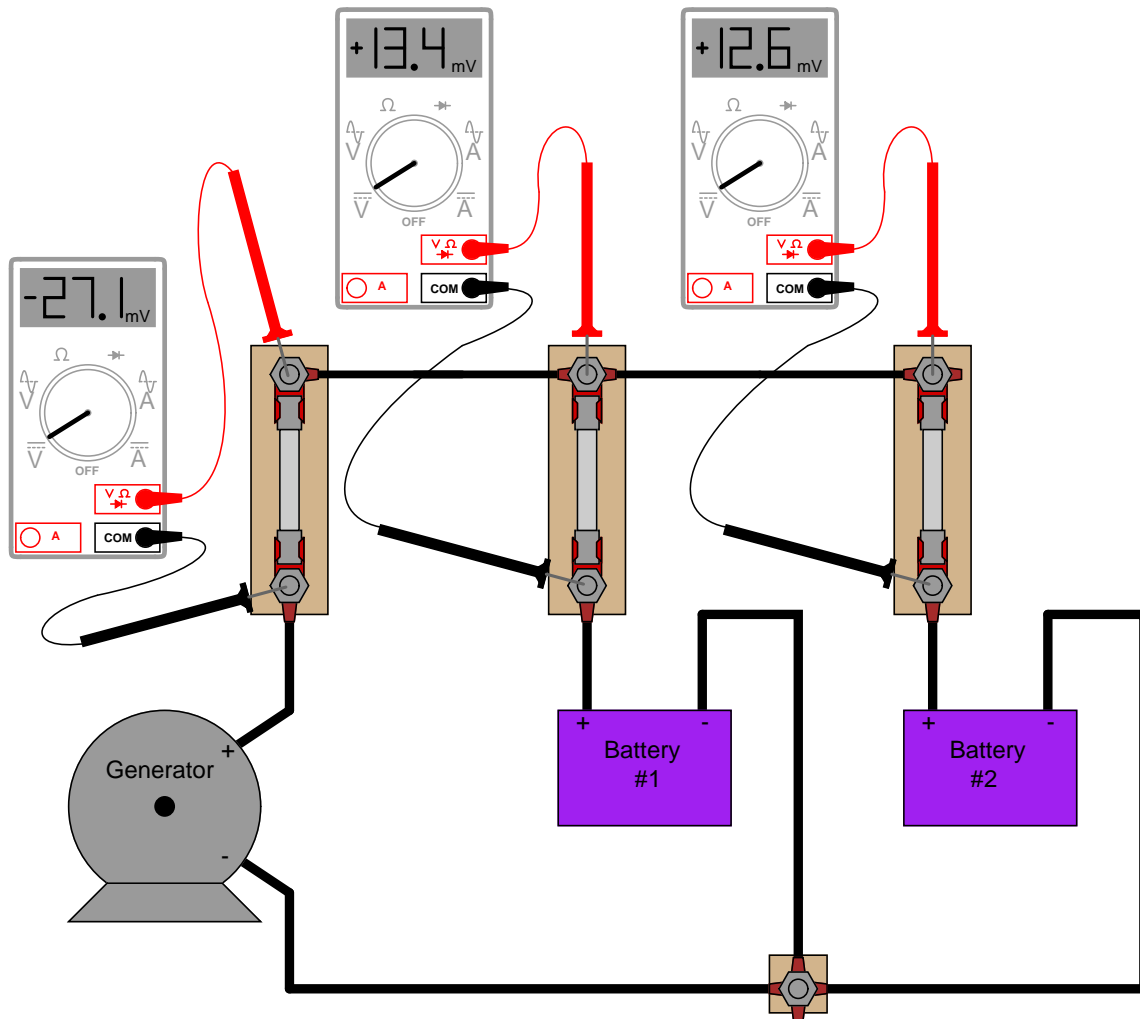
file 00352

Suppose you are asked to determine whether or not each battery in this circuit is charging or discharging:



To do so, of course, you need to determine the direction of current through each battery. Unfortunately, your multimeter does not have the current rating necessary to directly measure such large currents, and you do not have access to a clamp-on (magnetic) ammeter capable of measuring DC current.

You are about to give up when a master technician comes along and uses her multimeter (set to measure *millivolts*) to take these three voltage measurements:



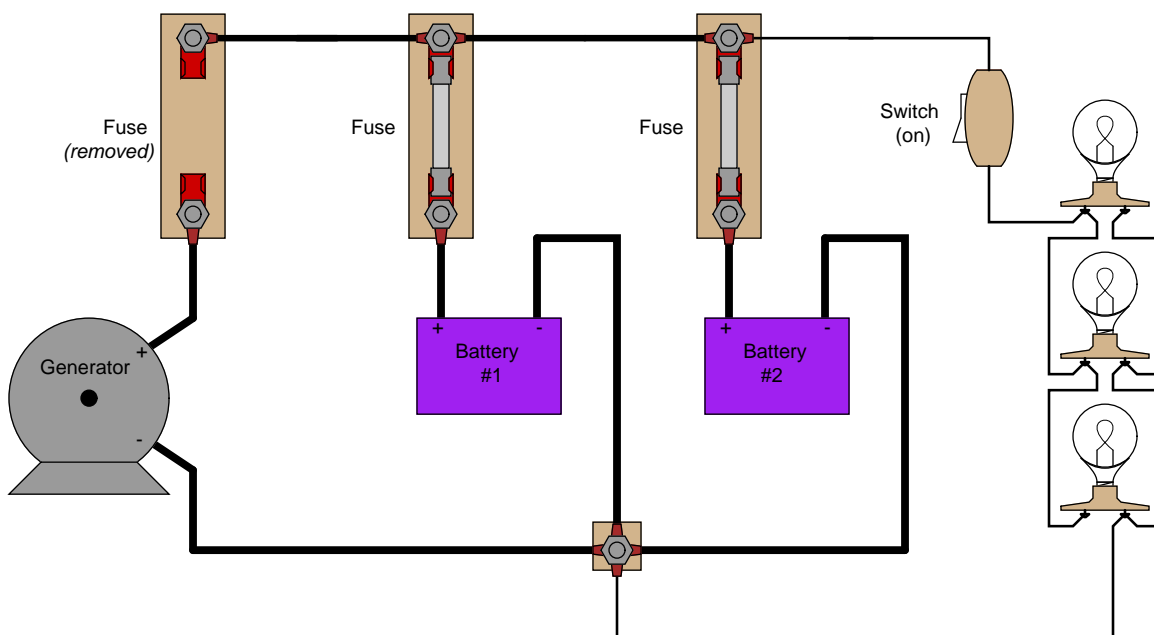
"There," she says, "it's easy!" With that, she walks away, leaving you to figure out what those measurements mean. Determine the following:

- How these DC millivoltage measurements indicate direction of current.
- Whether or not each battery is charging or discharging.
- Whether or not these millivoltage measurements can tell you *how much* current is going through each battery.
- How this general principle of measurement may be extended to other practical applications.

file 03403

Question 46

The generator in this power system is disconnected for routine servicing by removing its fuse, leaving the two batteries to supply all power to the bank of light bulbs:



The two batteries are rated such that they are supposed to provide at least 10 hours of back-up power in the event of a generator "outage" such as this. Unfortunately, the light bulbs begin to dim much sooner than expected. Something is wrong in the system, and you are asked to figure out what.

Explain what steps you would take to diagnose the problem in this circuit, commenting on any relevant safety measures taken along the way.

[file 03940](#)

Question 47

Although the voltage divider and current divider equations are very useful in circuit analysis, they are easily confused for one another because they look so similar:

$$V_R = V_{total} \left(\frac{R}{R_{total}} \right) \qquad I_R = I_{total} \left(\frac{R_{total}}{R} \right)$$

Specifically, it is easy to forget which way the resistance fraction goes for each one. Is it $\frac{R}{R_{total}}$ or is it $\frac{R_{total}}{R}$? Simply trying to memorize which fraction form goes with which equation is a bad policy, since memorization of arbitrary forms tends to be unreliable. What is needed is recognition of some sort of *principle* that makes the form of each equation sensible. In other words, each equation needs to make sense *why* it is the way it is.

Explain how one would be able to tell that the following equations are wrong, without referring to a book:

$$V_R = V_{total} \left(\frac{R_{total}}{R} \right) \qquad \text{Wrong equations!} \qquad I_R = I_{total} \left(\frac{R}{R_{total}} \right)$$

[file 03443](#)

Don't just sit there! Build something!!

Learning to mathematically analyze circuits requires much study and practice. Typically, students practice by working through lots of sample problems and checking their answers against those provided by the textbook or the instructor. While this is good, there is a much better way.

You will learn much more by actually *building and analyzing real circuits*, letting your test equipment provide the "answers" instead of a book or another person. For successful circuit-building exercises, follow these steps:

1. Carefully measure and record all component values prior to circuit construction.
2. Draw the schematic diagram for the circuit to be analyzed.
3. Carefully build this circuit on a breadboard or other convenient medium.
4. Check the accuracy of the circuit's construction, following each wire to each connection point, and verifying these elements one-by-one on the diagram.
5. Mathematically analyze the circuit, solving for all values of voltage, current, etc.
6. Carefully measure those quantities, to verify the accuracy of your analysis.
7. If there are any substantial errors (greater than a few percent), carefully check your circuit's construction against the diagram, then carefully re-calculate the values and re-measure.

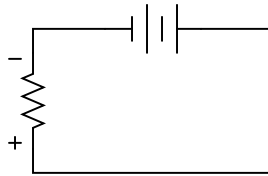
Avoid very high and very low resistor values, to avoid measurement errors caused by meter "loading". I recommend resistors between 1 k Ω and 100 k Ω , unless, of course, the purpose of the circuit is to illustrate the effects of meter loading!

One way you can save time and reduce the possibility of error is to begin with a very simple circuit and incrementally add components to increase its complexity after each analysis, rather than building a whole new circuit for each practice problem. Another time-saving technique is to re-use the same components in a variety of different circuit configurations. This way, you won't have to measure any component's value more than once.

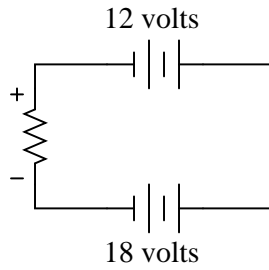
[file 00405](#)

Answers

Answer 1

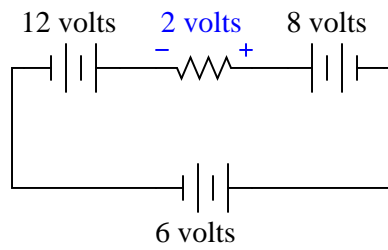


Answer 2

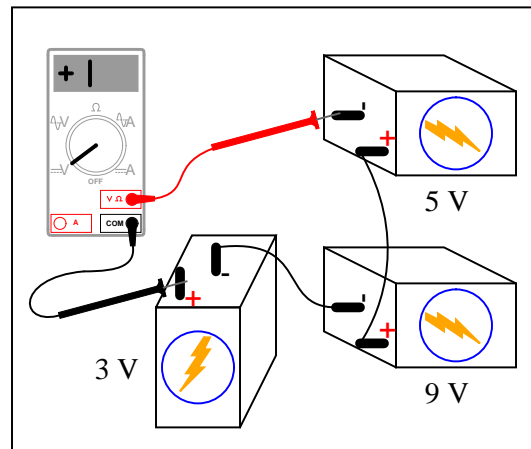
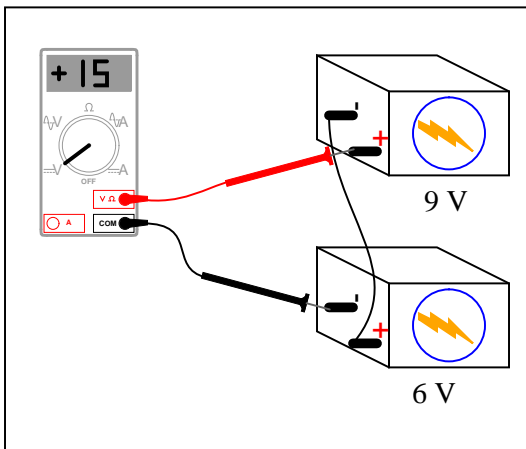
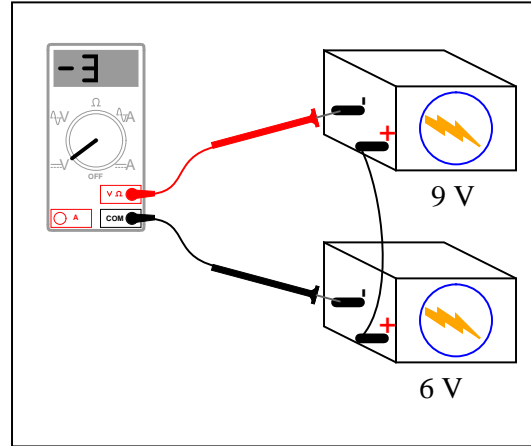
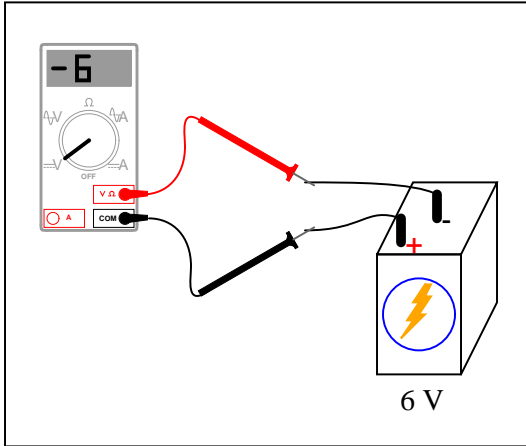


Follow-up question: are the battery voltage values important to the answer? Explain why or why not.

Answer 3

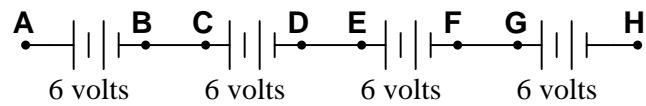


Answer 4



Answer 5

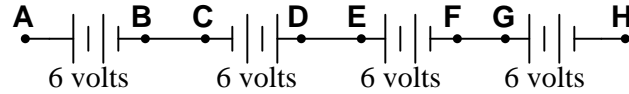
Here is a schematic diagram to help you:



- Red lead on A, black lead on H = +24 volts
- Red lead on C, black lead on G = +12 volts
- Red lead on F, black lead on B = -12 volts
- Red lead on F, black lead on A = -18 volts

Answer 6

Here is a schematic diagram to help you:



- Red lead on A, black lead on H = +12 volts
- Red lead on C, black lead on G = 0 volts
- Red lead on F, black lead on B = 0 volts
- Red lead on F, black lead on A = -6 volts

Answer 7

The voltmeter's black lead is analogous to the "zero reference" level in the mountain-climbing altimeter scenario: the point at which the altimeter is calibrated to register 0 meters height.

Answer 8

- Red lead on "A", black lead on ground (*Digital voltmeter reads +15 volts*)
- Red lead on "B", black lead on ground (*Digital voltmeter reads -15 volts*)
- Red lead on "A", black lead on "B" (*Digital voltmeter reads +30 volts*)
- Red lead on "B", black lead on "A" (*Digital voltmeter reads -30 volts*)

Answer 9

$$V_A = +9 \text{ volts}$$
$$V_B = +6 \text{ volts}$$
$$V_{AB} = +3 \text{ volts}$$

Follow-up question: explain why the mathematical signs ("+") are important in these answers.

Answer 10

The height of the cabinet (*above ground*) represents the *positive* voltage at point **A**, while the depth of the pit (*below ground*) represents the *negative* voltage at point **B**. The *difference* in altitude between the cabinet's height and the pit's depth represents the voltage V_{AB} in the circuit.

Answer 11

$$V_A = \underline{+30 \text{ volts}} \text{ (red lead on } \mathbf{A}, \text{ black lead on ground)}$$
$$V_B = \underline{+3 \text{ volts}} \text{ (red lead on } \mathbf{B}, \text{ black lead on ground)}$$
$$V_C = \underline{+9 \text{ volts}} \text{ (red lead on } \mathbf{C}, \text{ black lead on ground)}$$
$$V_D = \underline{-15 \text{ volts}} \text{ (red lead on } \mathbf{D}, \text{ black lead on ground)}$$

$$V_{AC} = \underline{+21 \text{ volts}} \text{ (red lead on } \mathbf{A}, \text{ black lead on } \mathbf{C})$$
$$V_{DB} = \underline{-18 \text{ volts}} \text{ (red lead on } \mathbf{D}, \text{ black lead on } \mathbf{B})$$
$$V_{BA} = \underline{-27 \text{ volts}} \text{ (red lead on } \mathbf{B}, \text{ black lead on } \mathbf{A})$$
$$V_{BC} = \underline{-6 \text{ volts}} \text{ (red lead on } \mathbf{B}, \text{ black lead on } \mathbf{C})$$
$$V_{CD} = \underline{+24 \text{ volts}} \text{ (red lead on } \mathbf{C}, \text{ black lead on } \mathbf{D})$$

Answer 12

$$V_A = \underline{+12 \text{ volts}} \text{ (red lead on **A**, black lead on ground)}$$

$$V_B = \underline{-9 \text{ volts}} \text{ (red lead on **B**, black lead on ground)}$$

$$V_C = \underline{+4.5 \text{ volts}} \text{ (red lead on **C**, black lead on ground)}$$

$$V_D = \underline{-24 \text{ volts}} \text{ (red lead on **D**, black lead on ground)}$$

$$V_{AC} = \underline{+7.5 \text{ volts}} \text{ (red lead on **A**, black lead on **C**)}$$

$$V_{DB} = \underline{-15 \text{ volts}} \text{ (red lead on **D**, black lead on **B**)}$$

$$V_{BA} = \underline{-21 \text{ volts}} \text{ (red lead on **B**, black lead on **A**)}$$

$$V_{BC} = \underline{-13.5 \text{ volts}} \text{ (red lead on **B**, black lead on **C**)}$$

$$V_{CD} = \underline{+28.5 \text{ volts}} \text{ (red lead on **C**, black lead on **D**)}$$

Answer 13

$$V_A = \underline{+20 \text{ volts}} \text{ (red lead on **A**, black lead on ground)}$$

$$V_B = \underline{+5 \text{ volts}} \text{ (red lead on **B**, black lead on ground)}$$

$$V_C = \underline{-11 \text{ volts}} \text{ (red lead on **C**, black lead on ground)}$$

$$V_D = \underline{-8 \text{ volts}} \text{ (red lead on **D**, black lead on ground)}$$

$$V_{AC} = \underline{+31 \text{ volts}} \text{ (red lead on **A**, black lead on **C**)}$$

$$V_{DB} = \underline{-13 \text{ volts}} \text{ (red lead on **D**, black lead on **B**)}$$

$$V_{BA} = \underline{-15 \text{ volts}} \text{ (red lead on **B**, black lead on **A**)}$$

$$V_{BC} = \underline{+16 \text{ volts}} \text{ (red lead on **B**, black lead on **C**)}$$

$$V_{CD} = \underline{-3 \text{ volts}} \text{ (red lead on **C**, black lead on **D**)}$$

Answer 14

$$V_A = \underline{-21 \text{ volts}} \text{ (red lead on **A**, black lead on ground)}$$

$$V_B = \underline{+12 \text{ volts}} \text{ (red lead on **B**, black lead on ground)}$$

$$V_C = \underline{-4 \text{ volts}} \text{ (red lead on **C**, black lead on ground)}$$

$$V_D = \underline{+9 \text{ volts}} \text{ (red lead on **D**, black lead on ground)}$$

$$V_{AC} = \underline{-17 \text{ volts}} \text{ (red lead on **A**, black lead on **C**)}$$

$$V_{DB} = \underline{-3 \text{ volts}} \text{ (red lead on **D**, black lead on **B**)}$$

$$V_{BA} = \underline{+33 \text{ volts}} \text{ (red lead on **B**, black lead on **A**)}$$

$$V_{BC} = \underline{+16 \text{ volts}} \text{ (red lead on **B**, black lead on **C**)}$$

$$V_{CD} = \underline{-13 \text{ volts}} \text{ (red lead on **C**, black lead on **D**)}$$

Answer 15

$V_A = +13$ volts (red lead on **A**, black lead on ground)

$V_B = +4$ volts (red lead on **B**, black lead on ground)

$V_C = +7$ volts (red lead on **C**, black lead on ground)

$V_D = -6$ volts (red lead on **D**, black lead on ground)

$V_{AC} = +6$ volts (red lead on **A**, black lead on **C**)

$V_{DB} = -10$ volts (red lead on **D**, black lead on **B**)

$V_{BA} = -9$ volts (red lead on **B**, black lead on **A**)

$V_{BC} = -3$ volts (red lead on **B**, black lead on **C**)

$V_{CD} = +13$ volt (red lead on **C**, black lead on **D**)

Answer 16

$I_{R2} \approx 160 \mu\text{A}$, conventional flow from left to right (electron flow from right to left).

Follow-up question: this technique for estimating resistor current depends on one important assumption. Describe what this assumption is, and how the accuracy of your current calculation may be affected if the assumption is invalid.

Answer 17

- Voltage across R1 (between top to bottom): **3.17 volts**
- Polarity (+ and -) of voltage across R1: **(-) on top, (+) on bottom**
- Current (magnitude) through R1: **67.45 μA**
- Direction of current through R1: **upward, following conventional flow**

Follow-up question: calculate the range of possible currents, given the specified tolerance of resistor R1 (67.45 μA assumes 0% error).

Challenge question: if you recognize the type of circuit this is (by the part number of the IC "chip": TL082), identify the voltage between pin 3 and ground.

Answer 18

The key to understanding this circuit is that both batteries are equal in voltage and opposed in polarity to one another.

Answer 19

- $V_{BA} = +10.8$ volts
- $V_{CB} = +7.2$ volts
- $V_{DC} = +18$ volts
- $V_{AD} = -36$ volts

Answer 20

- $V_{BA} = +10.8$ volts
- $V_{CA} = +18.0$ volts
- $V_{DA} = +36.0$ volts
- $V_{AA} = 0$ volts

With each successive step, one more voltage is being added to the previously measured voltage(s), as the meter measures across a larger series chain of resistors. Ultimately,

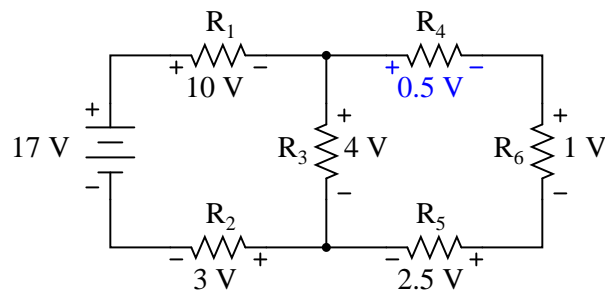
$$V_{AA} = V_{AD} + V_{DC} + V_{CB} + V_{BA} = 0 \text{ volts}$$

Answer 21

- $V_A = +16$ volts
- $V_B = +16$ volts
- $V_C = +10$ volts
- $V_D = 0$ volts
- $V_E = -2$ volts

Follow-up question: explain how it is possible to determine that V_A and V_B will be exactly the same value, prior to performing any mathematical calculations.

Answer 22



Answer 23

I'll leave the answer for you to demonstrate!

Answer 24

$$V_{TP1-TP3} = 15.83 \text{ volts} \quad V_{TP2-TP4} = 22.22 \text{ volts}$$

Answer 25

- $V_{BA} = +10.8$ volts
- $V_{DB} = +25.2$ volts
- $V_{FD} = -12.0$ volts
- $V_{AF} = -24.0$ volts

Answer 26

Voltage drop(s) somewhere in the loop between TP1/TP2 and the power supply *must* have increased, in order to account for $E_{TP1-TP2}$ decreasing with a constant supply voltage.

Answer 27

Applying KVL to the circuit loop, we find that equal contact potentials E_1 and E_2 cancel each other out, leaving only the heart muscle voltage to be present at the instrument terminals.

Follow-up question: why is the heart muscle represented in the equivalent circuit by an AC voltage source symbol rather than by a DC voltage source symbol (battery)? Does this matter when we apply KVL to the loop? Why or why not?

Answer 28

$V_{AB} = 9.198$ volts, **A** positive and **B** negative.

Answer 29

$V_{AB} = 6.148$ volts, **A** negative and **B** positive.

Answer 30

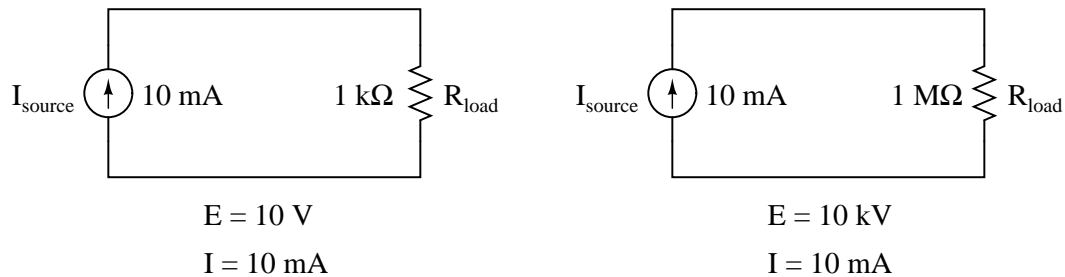
550 gallons per minute ("GPM"), assuming no leaks in the pipe.

Answer 31

Kirchhoff's Current Law renders this scenario impossible: "the algebraic sum of all currents at a node *must* be zero."

Answer 32

Ideal current sources assumed



Follow-up question: identify the polarity of the voltage drops across the resistors in the circuits shown above.

Answer 33

The total current in this circuit is 27 mA, and the load voltage is 40.5 volts.

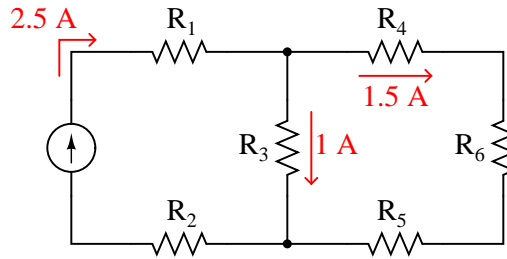
Follow-up question: trace the direction of current through all three sources as well as the load resistor. Compare these directions with the polarity of their shared voltage. Explain how the relationship between voltage polarity and current direction relates to each component's identity as either a *source* or a *load*.

Answer 34

The total current in this circuit is 4 mA, and the load voltage is 18.8 volts.

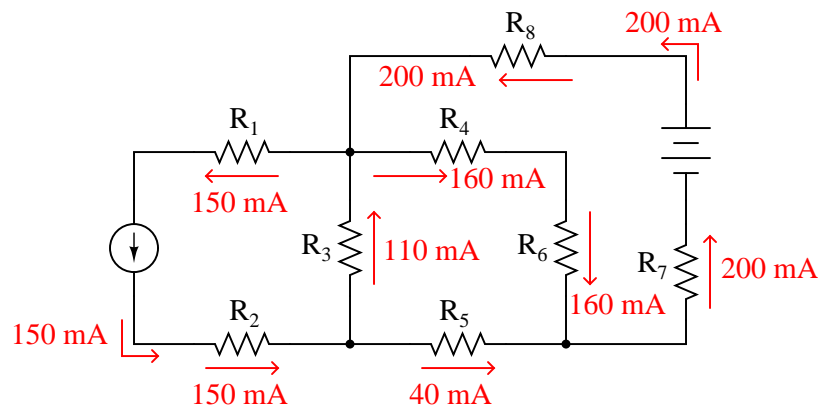
Follow-up question: indicate the polarity of the voltage across the load resistor with "+" and "-" symbols.

Answer 35



Note: all current arrows point in the direction of conventional flow!

Answer 36



Note: all current arrows point in the direction of conventional flow!

Answer 37

- Voltage source V_1 fails with increased output: *All resistor currents increase, all resistor voltages increase, current through V_1 increases.*
- Solder bridge (short) across resistor R_1 : *All resistor currents increase, voltage across resistors R_2 and R_3 increase, voltage across resistor R_1 decreases to zero, current through V_1 increases.*
- Solder bridge (short) across resistor R_2 : *All resistor currents increase, voltage across resistors R_1 and R_3 increase, voltage across resistor R_2 decreases to zero, current through V_1 increases.*
- Resistor R_3 fails open: *All resistor currents decrease to zero, voltages across R_1 and R_2 decrease to zero, voltage across R_3 increases to equal V_1 .*

Answer 38

- Current source I_1 fails with increased output: *All resistor currents increase, all resistor voltages increase, voltage across I_1 increases.*
- Solder bridge (short) across resistor R_1 : *All resistor currents remain unchanged, voltage across resistor R_1 decreases to zero, voltage across I_1 decreases by the amount R_1 previously dropped.*
- Solder bridge (short) across resistor R_2 : *All resistor currents remain unchanged, voltage across resistor R_2 decreases to zero, voltage across I_1 decreases by the amount R_2 previously dropped.*
- Resistor R_3 fails open: *Theoretically, all resistor currents remain unchanged while a large arc jumps across the failed-open R_3 (and possibly across I_1 as well). Realistically, all resistor currents will decrease to zero while the voltages across R_3 and I_1 will increase to maximum.*

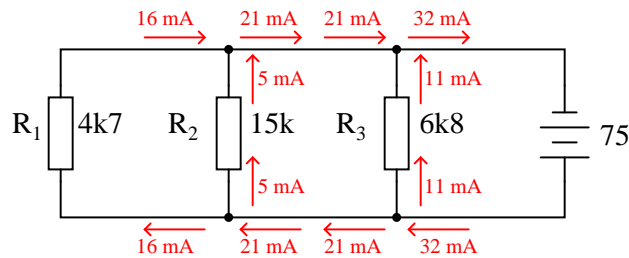
Answer 39

- Voltage source V_1 fails with increased output: *All resistor currents increase, all resistor voltages increase, current through V_1 increases.*
- Resistor R_1 fails open: *All resistor voltages remain unchanged, current through R_1 decreases to zero, currents through R_2 and R_3 remain unchanged, current through V_1 decreases by the amount that used to go through R_1 .*
- Resistor R_3 fails open: *All resistor voltages remain unchanged, current through R_3 decreases to zero, currents through R_1 and R_2 remain unchanged, current through V_1 decreases by the amount that used to go through R_3 .*
- Solder bridge (short) across resistor R_2 : *Theoretically, all resistor voltages remain unchanged while a near-infinite amount of current goes through the shorted R_2 . Realistically, all resistor voltages will decrease to nearly zero while the currents through R_2 and V_1 will increase dramatically.*

Answer 40

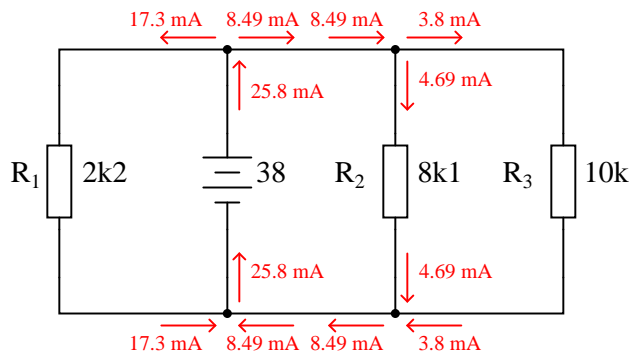
- Current source I_1 fails with increased output: *All resistor currents increase, all resistor voltages increase, voltage across I_1 increases.*
- Resistor R_1 fails open: *All resistor voltages increase, current through R_1 decreases to zero, currents through R_2 and R_3 increase, current through I_1 remains unchanged, voltage across I_1 increases.*
- Resistor R_3 fails open: *All resistor voltages increase, current through R_3 decreases to zero, currents through R_1 and R_2 increase, current through I_1 remains unchanged, voltage across I_1 increases.*
- Solder bridge (short) across resistor R_2 : *All resistor voltages decrease to zero, currents through R_1 and R_3 decrease to zero, current through shorted R_2 increases to equal I_1 , current through I_1 remains unchanged, voltage across I_1 decreases to zero.*

Answer 41



Currents shown according to conventional notation

Answer 42



Note: all arrows point in the direction of conventional flow!

Answer 43

Battery #2 is charging at a rate of 13 amps.

Answer 44

To measure generator output current, remove the fuse and connect the ammeter test leads to the two "clips" of the empty fuse holder, the red lead on the clip connecting to the generator, and the black lead on the clip connecting to the battery.

Follow-up question: describe any relevant safety procedures and considerations necessary prior to performing this task.

Answer 45

The master technician exploited the inherent resistance of each fuse as a current-indicating *shunt resistor*. The measurements indicate both batteries are *charging*.

Answer 46

One simple procedure would be to connect a voltmeter in parallel with the light bulb bank, then remove the fuse for battery #1 and note the decrease in bus voltage. After that, replace the fuse for battery #1 and then remove the fuse for battery #2, again noting the decrease in bus voltage. If there is a problem with one of the batteries, it will be evident in this test. If both batteries are in good condition, but simply low on charge, that will also be evident in this test.

Answer 47

The resistance fraction must always be less than 1.

Answer 48

Let the electrons themselves give you the answers to your own "practice problems"!

Notes 1

The answer to this question is fairly trivial, but the real point of it is to get students thinking about how and why it is the way it is. One thing I've noticed as an instructor of electronics is that most students tend to follow the rule of proximity: the resistor's voltage drop polarity is determined by proximity to poles of the battery. The resistor terminal closest to the battery's negative terminal must be negative as well, or so the thinking goes. While this is sound reasoning in a simple circuit such as this, it can lead to confusion in circuits where there is more than one power source at work!

Notes 2

The answer to this question is fairly simple, but the real point of it is to get students thinking about how and why it is the way it is. One thing I've noticed as an instructor of electronics is that most students tend to follow the rule of proximity: the resistor's voltage drop polarity is determined by proximity to poles of the battery. The resistor terminal closest to the battery's negative terminal must be negative as well, or so the thinking goes.

In this particular circuit, though, the rule of proximity does not hold very well, and a different rule is necessary.

Notes 3

The answer to this question is fairly simple, but the real point of it is to get students thinking about how and why it is the way it is. One thing I've noticed as an instructor of electronics is that most students tend to follow the rule of proximity: the resistor's voltage drop polarity is determined by proximity to poles of the battery. The resistor terminal closest to the battery's negative terminal must be negative as well, or so the thinking goes.

In this particular circuit, though, the rule of proximity does not hold very well, and a different rule is necessary.

Notes 4

Here, students must apply Kirchhoff's Voltage Law to determine what the voltmeter's indication will be. This question works well as a prelude to determining comparator (open-loop opamp) output polarities.

Notes 5

Kirchhoff's Voltage Law (KVL) is very easily explored in real life with a set of batteries and "jumper wire" connections. Encourage your students to build battery circuits like the one shown in this question, to be able to see the results for themselves!

One really nice feature of digital multimeters (DMMs) is the ability to register negative as well as positive quantities. This feature is very useful when teaching Kirchhoff's Laws, with the *algebraic* (sign-dependent) summation of voltages and currents.

Notes 6

Kirchhoff's Voltage Law (KVL) is very easily explored in real life with a set of batteries and "jumper wire" connections. Encourage your students to build battery circuits like the one shown in this question, to be able to see the results for themselves!

One really nice feature of digital multimeters (DMMs) is the ability to register negative as well as positive quantities. This feature is very useful when teaching Kirchhoff's Laws, with the *algebraic* (sign-dependent) summation of voltages and currents.

Students may arrive at more than one method for determining voltmeter indications in problems like these. Encourage this type of creativity during discussion time, as it both helps students gain confidence in being able to approach problems on their own terms, as well as educates those students who might be confused with the concept. Quite often the explanation of a peer is more valuable than the explanation of an instructor. When students are given the freedom to explore problem-solving methods, and then share those methods with their classmates, substantial learning always results.

Notes 7

Physical height (and depth) is a very useful analogy for electrical potential, helping students relate this abstract thing called "voltage" to more common differential measurements.

Notes 8

This question may be easily answered with only a voltmeter, two batteries, and a single "jumper" wire to connect the two batteries in series. It does not matter if the batteries are 15 volts each! The fundamental principle may still be investigated with batteries of any voltage, so this is a very easy demonstration to set up during discussion time.

Notes 9

Determining differential voltages is a skill that many students find frustrating to attain. There is more than one way to explain how to arrive at +3 volts as the answer for V_{AB} , and it is good for students to see more than one way presented.

Notes 10

It may be good to remind your students that voltage is and forever will be a quantity *between two points* and never defined at a single point. The only reason we can say $V_A = +9$ volts and $V_B = -6$ volts is because there is a *ground point* in the circuit, which by convention is the point of reference for any voltages defined at other, single points in the circuit.

Notes 11

Discuss with your students multiple techniques of solving for these voltages, asking them first for their solution strategies.

Notes 12

Discuss with your students multiple techniques of solving for these voltages, asking them first for their solution strategies.

Notes 13

Discuss with your students multiple techniques of solving for these voltages, asking them first for their solution strategies.

Notes 14

Discuss with your students multiple techniques of solving for these voltages, asking them first for their solution strategies.

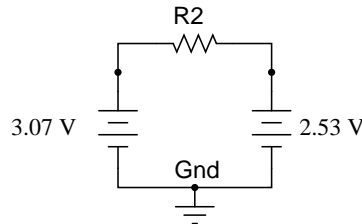
Notes 15

Discuss with your students multiple techniques of solving for these voltages, asking them first for their solution strategies.

Notes 16

This is a good example of how Kirchhoff's Voltage Law is more than just an abstract tool for mathematical analysis – it is also a powerful technique for practical circuit diagnosis. Students must apply KVL to determine the voltage drop across R2, and then use Ohm's Law to calculate its current.

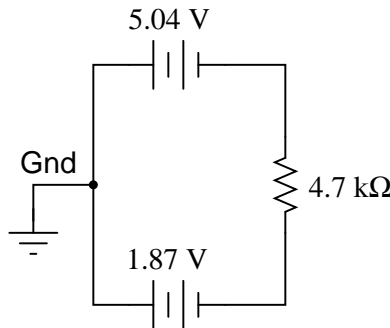
If students experience difficulty visualizing how KVL plays a part in the solution of this problem, show them this illustration:



Notes 17

This is a good example of how Kirchhoff's Voltage Law is more than just an abstract tool for mathematical analysis – it is also a powerful technique for practical circuit diagnosis. Students must apply KVL to determine the voltage drop across R1, and then use Ohm's Law to calculate its current.

If students experience difficulty visualizing how KVL plays a part in the solution of this problem, show them this illustration:



By the way, the answer to the challenge question may only be realized if students recognize this circuit as a noninverting opamp voltage amplifier. The voltage at pin 3 (noninverting input) will be the same as the voltage at pin 2 (inverting input): -1.87 volts.

Notes 18

This is a simple circuit, yet practical in its function as a telegraph and as an example of KVL in action.

Notes 19

Ask your students this question: "Will the algebraic sum of voltage measurements ever be other than zero in a loop?" Ask them to explain *why* this is, as best they can.

Notes 20

Building on the knowledge of series voltages being additive, this example serves as a simple proof of Kirchhoff's Voltage Law. At the final step of the sequence, the voltage indicated by the meter *must* be zero volts because the two test leads are now electrically common to each other.

Notes 21

This question helps to familiarize students with the concept of "ground" as the default reference point for taking voltage measurements, as well as being an application of Kirchhoff's Voltage Law.

Notes 22

In your discussion, be sure to explore more than one "loop" when using KVL. Not only does this demonstrate the arbitrary nature of your loop choice, but it also serves as a double-check for your work!

It is not necessary to know anything about series-parallel or even parallel circuits in order to solve the R_4 's voltage – all one needs to know is how to use Kirchhoff's Voltage Law.

Notes 23

Potentiometric voltage measurement is not only practical, but for quite a while in the early field of electrical measurements it was the *only* way to accurately measure voltage from "weak" (high-impedance) sources. It is still used today in electrical metrology, and serves as a simple application of KVL for students to examine.

Notes 24

Ask your students to explain how they obtained their answers. There is more than one correct way to answer this question!

Notes 25

Ask your students this question: "Will the algebraic sum of voltage measurements ever be other than zero in a loop?" Ask them to explain *why* this is, as best they can.

Notes 26

Ask your students where the increased voltage drop(s) might be located in this circuit. It might be helpful to draw the test points, power cable, and power supply as a circuit, using standard schematic symbols. Ask your students, "What type of fault might cause such voltage drop increases in this loop?"

Notes 27

The question of "where will we ever see this?" is too often ignored by teachers, who forget the lack of context present in their new students' understanding. Remember that this is all **new** to most of your students, so they lack the years of experience you have working with circuits in practical scenarios. A question like this deserves to be answered, and answered well.

Truth be known, the equivalent circuit for electrode-to-skin contact is far more complex than what is shown here (impedances everywhere!), but the point here is to simplify it enough so that students studying DC circuits and KVL would be able to grasp it.

Electrode half-cell potentials (E_1 and E_2 in the equivalent schematic diagram) caused by electrochemical action are not the only source of stray potentials in measurement circuits by any means! Noise voltage is a consideration in many circumstances (whether induced by outside sources or generated by physical action such as Johnson noise), thermal voltages caused by junctions of dissimilar metals, and others. If all we are doing is making crude measurements, these stray voltages will be of little concern. If precision is necessary, which is often the case in medical and scientific measurements, these spurious voltages can be devastating.

Notes 28

Nothing here but series-parallel calculation practice, combined with KVL. Ask your students to explain *how* they calculated this voltage, because there is definitely more than one way to do it!

Notes 29

Nothing here but series-parallel calculation practice, combined with KVL. Ask your students to explain *how* they calculated this voltage, because there is definitely more than one way to do it!

Notes 30

Ask your students to draw an electric circuit schematic showing how the same principle illustrated in the hydraulic system would apply to electric current, with "flow rates" of 700 amps, 150 amps, and 550 amps, respectively.

Notes 31

Another way of stating KCL is to say, "What goes in must come out." When continuous DC currents are involved, this law is really nothing more than a restatement of the Conservation of Charge. Of course, there are transient exceptions to this law (static electric charge and discharge, for example) as well as interesting AC exceptions (current "through" a capacitor), so a hard-literal interpretation of KCL may cause confusion later on. However, it is a fairly intuitive Law to grasp, and consequently I seldom find students experiencing difficulty with it.

Notes 32

Let students know that there really is such a thing as a perfect current source, just as there is no such thing as a perfect voltage source. However, there are devices that closely approximate ideal current sources (current transformers in AC circuits and "current mirror" DC transistor circuits, for example).

Notes 33

Have your students collectively agree on a procedure they may use to accurately discern series voltage sums and polarities. Guide their discussion, helping them identify principles that are true and valid for all series circuits.

Notes 34

Have your students collectively agree on a procedure they may use to accurately discern series voltage sums and polarities. Guide their discussion, helping them identify principles that are true and valid for all series circuits.

Notes 35

It is not necessary to know anything about series-parallel or even parallel circuits in order to solve the R_4 's current – all one needs to know is how to use Kirchhoff's Current Law.

Notes 36

It is not necessary to know anything about series-parallel or even parallel circuits in order to solve the R_4 's current – all one needs to know is how to use Kirchhoff's Current Law.

Notes 37

The purpose of this question is to approach the domain of circuit troubleshooting from a perspective of knowing what the fault is, rather than only knowing what the symptoms are. Although this is not necessarily a realistic perspective, it helps students build the foundational knowledge necessary to diagnose a faulted circuit from empirical data. Questions such as this should be followed (eventually) by other questions asking students to identify likely faults based on measurements.

Notes 38

The purpose of this question is to approach the domain of circuit troubleshooting from a perspective of knowing what the fault is, rather than only knowing what the symptoms are. Although this is not necessarily a realistic perspective, it helps students build the foundational knowledge necessary to diagnose a faulted circuit from empirical data. Questions such as this should be followed (eventually) by other questions asking students to identify likely faults based on measurements.

Notes 39

The purpose of this question is to approach the domain of circuit troubleshooting from a perspective of knowing what the fault is, rather than only knowing what the symptoms are. Although this is not necessarily a realistic perspective, it helps students build the foundational knowledge necessary to diagnose a faulted circuit from empirical data. Questions such as this should be followed (eventually) by other questions asking students to identify likely faults based on measurements.

Notes 40

The purpose of this question is to approach the domain of circuit troubleshooting from a perspective of knowing what the fault is, rather than only knowing what the symptoms are. Although this is not necessarily a realistic perspective, it helps students build the foundational knowledge necessary to diagnose a faulted circuit from empirical data. Questions such as this should be followed (eventually) by other questions asking students to identify likely faults based on measurements.

Notes 41

Discuss with your students techniques for calculating the node currents. What Laws did your students apply, and more importantly, in *what order* did they apply them?

Notes 42

Discuss with your students techniques for calculating the node currents. What Laws did your students apply, and more importantly, in *what order* did they apply them?

Notes 43

Perhaps the most difficult portion of this question for students to figure out is which way current goes when a battery is charging, versus when it is discharging. Thus, it is a good review for students on secondary battery theory!

Another challenge for students might be where to label a "node" for the algebraic summation of currents. Do not simply tell them, but rather let them choose the node.

Notes 44

Be sure to reinforce the safety aspects of this task. Although the primary focus of this question is most definitely Kirchhoff's Current Law, that is no excuse to avoid discussing electrical safety!

Notes 45

This is a very practical (and handy!) method of qualitative current measurement I've used many times on the job. Fuses, as well as other current-handling components, always have some non-zero amount of electrical resistance between their terminals, which means they are usable as crude shunt resistors. Their actual resistance will most likely be unknown to you, which is why they are useful in this capacity as *qualitative* measurement devices only, not quantitative.

Some students may point out that the measurement taken across the generator's fuse is not necessary to determine battery charging status. Technically, this is true, but doing so helps to confirm the validity of this technique. The polarity of that measurement does indeed show (conventional flow) current to be going upward through the generator fuse, versus downward through the battery fuses.

Students may also point out that the battery fuse millivoltage measurements do not add up to equal the generator fuse millivoltage measurement, as Kirchhoff's Current Law (KCL) would suggest. This is one example showing how the technique is strictly qualitative, not quantitative. We have no idea how much resistance lies within each fuse, and so we cannot rely on the millivoltage measurements as being proportional to current. This is especially true if the fuses are not identical!

Other circuit elements lending themselves to this same sort of application include overload "heater" elements for motor control circuits, long lengths of wire (provided you can stretch your millivolt-meter leads to reach both ends), circuit breakers, (closed) switches, and wire connections (particularly if the connection is old and possibly corroded).

Notes 46

I purposely avoided giving away explicit answers in the Answer section of this question, electing instead to simply provide a sound procedure. The point here is for students to figure out on their own what the voltmeter indications would mean with regard to battery condition.

Notes 47

Note that I do not explain why the fraction is less than 1 for each equation. I leave it to the students to figure out that $R < R_{total}$ for series circuits and $R_{total} < R$ for parallel circuits.

Many students have the unfortunate tendency to *memorize* in favor of *understand*, especially when it comes to equations. Comprehension is, of course, far superior, and exercises like this one help students build comprehension of the formulae they use in electronics.

It has been my experience that students require much practice with circuit analysis to become proficient. To this end, instructors usually provide their students with lots of practice problems to work through, and provide answers for students to check their work against. While this approach makes students proficient in circuit theory, it fails to fully educate them.

Students don't just need mathematical practice. They also need real, hands-on practice building circuits and using test equipment. So, I suggest the following alternative approach: students should *build* their own "practice problems" with real components, and try to mathematically predict the various voltage and current values. This way, the mathematical theory "comes alive," and students gain practical proficiency they wouldn't gain merely by solving equations.

Another reason for following this method of practice is to teach students *scientific method*: the process of testing a hypothesis (in this case, mathematical predictions) by performing a real experiment. Students will also develop real troubleshooting skills as they occasionally make circuit construction errors.

Spend a few moments of time with your class to review some of the "rules" for building circuits before they begin. Discuss these issues with your students in the same Socratic manner you would normally discuss the worksheet questions, rather than simply telling them what they should and should not do. I never cease to be amazed at how poorly students grasp instructions when presented in a typical lecture (instructor monologue) format!

A note to those instructors who may complain about the "wasted" time required to have students build real circuits instead of just mathematically analyzing theoretical circuits:

What is the purpose of students taking your course?

If your students will be working with real circuits, then they should learn on real circuits whenever possible. If your goal is to educate theoretical physicists, then stick with abstract analysis, by all means! But most of us plan for our students to do something in the real world with the education we give them. The "wasted" time spent building real circuits will pay huge dividends when it comes time for them to apply their knowledge to practical problems.

Furthermore, having students build their own practice problems teaches them how to perform *primary research*, thus empowering them to continue their electrical/electronics education autonomously.

In most sciences, realistic experiments are much more difficult and expensive to set up than electrical circuits. Nuclear physics, biology, geology, and chemistry professors would just love to be able to have their students apply advanced mathematics to real experiments posing no safety hazard and costing less than a textbook. They can't, but you can. Exploit the convenience inherent to your science, and *get those students of yours practicing their math on lots of real circuits!*